

Instructions for use

WASHING MACHINE

GB

GB

English, 1

HU

Magyar, 13

CZ

Český, 25

SK

Slovenský, 37

RO

Română, 49

IT

Italiano, 61

WITE 87

Contents

Installation, 2-3

Unpacking and levelling, 2
Electric and water connections, 2-3
The first wash cycle, 3
Technical details, 3

Washing machine description, 4-5

Control panel, 4
How to open and shut the drum, 4
Display, 5
“MEMO” Programme, 5

Starting and Programmes, 6

Briefly: how to start a programme, 6
Programme table, 6

Personalisations, 7

Setting the spin cycle, 7
Setting the Delay Timer, 7
Setting the temperature, 7
Functions, 7

Detergents and laundry, 8

Detergent dispenser, 8
Bleach cycle, 8
Preparing your laundry, 8
Special items, 8

Precautions and advice, 9

General safety, 9
Disposal, 9
Saving energy and respecting the environment, 9

Care and maintenance, 10

Cutting off the water or electricity supply, 10
Cleaning your appliance, 10
Cleaning the detergent dispenser, 10
Caring for your appliance door and drum, 10
Cleaning the pump, 10
Checking the water inlet hose, 10
Cleaning the detergent dispenser, 10

Troubleshooting, 11

Service, 12

Before calling for Assistance, 12

Installation

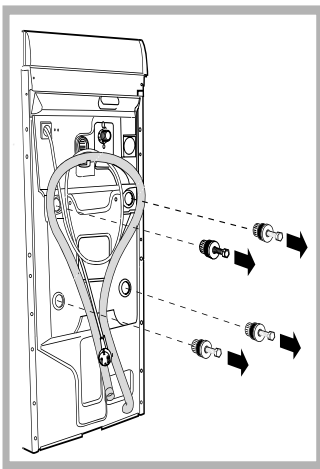
GB

! Keep this instruction manual in a safe place for future reference. Should the appliance be sold, transferred or moved, make sure the instruction manual accompanies the washing machine to inform the new owner as to its operation and features.

! Read these instructions carefully: they contain vital information on installation, use and safety.

Unpacking and levelling

Unpacking



1. Unpack the washing machine.
2. Check whether the washing machine has been damaged during transport. If this is the case, do not install it and contact your retailer.
3. Remove the four protective screws and the rubber washer with the respective spacer, situated on the rear of the appliance (see figure).

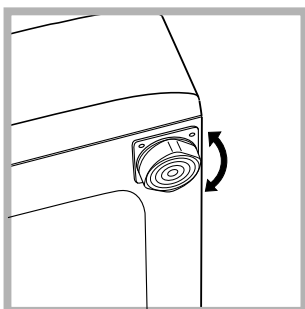
4. Seal the gaps using the plastic plugs provided.
5. Keep all the parts: you will need them again if the washing machine needs to be moved to another location.

Warning: should the screws be re-used, make sure you fasten the shorter ones at the top.

! Packaging materials are not children's toys.

Levelling

Your machine may make a considerable amount of noise if the two front feet have not been adjusted correctly.

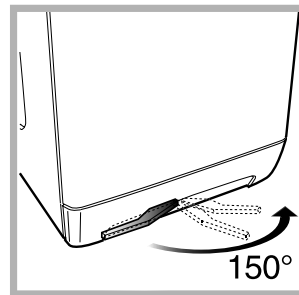


1. Install the washing machine on a flat sturdy floor, without resting it up against walls, furniture cabinets or other.
2. If the floor is not perfectly level, compensate for any unevenness by tightening or loosening

the adjustable front feet (see figure); the angle of inclination, measured according to the worktop, must not exceed 2°.

Levelling your appliance correctly will provide it with stability and avoid any vibrations, noise and shifting during operation. If it is placed on a fitted or loose carpet, adjust the feet in such a way as to allow enough room for ventilation beneath the washing machine.

Putting your appliance in place and moving it.

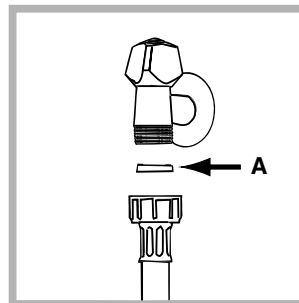


If your washing machine is equipped with a special set of retractable wheels you can easily move it. To lower the wheels and thus move the appliance effortlessly, just pull the lever, situated on the left-hand side beneath the

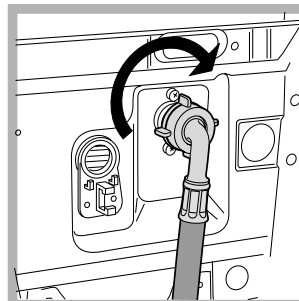
base. Once the appliance is in the required position, put the lever back in place. The washing machine is now firmly in place (see figure).

Electric and water connections

Connecting the water inlet hose



1. Insert seal A into the end of the inlet hose and screw the latter onto a cold water tap with a 3/4 gas threaded mouth (see figure). Before making the connection, allow the water to run freely until it is perfectly clear.



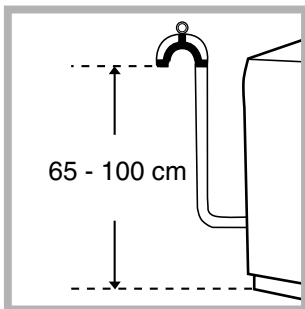
2. Connect the other end of the water inlet hose to the washing machine, screwing it onto the appliance's cold water inlet, situated on the top right-hand side on the rear of the appliance (see figure).

3. Make sure there are no kinks or bends in the hose.

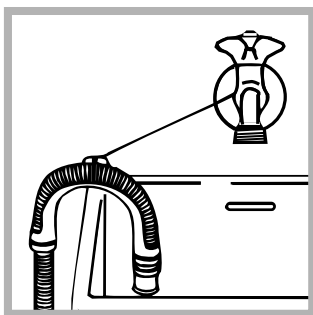
! The water pressure at the tap must be within the values indicated in the Technical details table (on the next page).

! If the water inlet hose is not long enough, contact a specialist store or an authorised serviceman.

Connecting the drain hose



Connect the drain hose, without bending it, to a draining duct or a wall drain situated between 65 and 100 cm from the floor;



alternatively, place it over the edge of a basin, sink or tub, fastening the duct supplied to the tap (see figure). The free end of the hose should not be underwater.

! We advise against the use of hose extensions; in case of absolute need, the extension must have the same diameter as the original hose and must not exceed 150 cm in length.

Electric connection

Before plugging the appliance into the mains socket, make sure that:

- the socket is earthed and in compliance with the applicable law;
- the socket is able to sustain the appliance's maximum power load indicated in the Technical details table (*on the right*);
- the supply voltage is included within the values indicated on the Technical details table (*on the right*);
- the socket is compatible with the washing machine's plug. If this is not the case, replace the socket or the plug.

! The washing machine should not be installed in an outdoor environment, not even when the area is sheltered, because it may be very dangerous to leave it exposed to rain and thunderstorms.

! When the washing machine is installed, the mains socket must be within easy reach.

! Do not use extensions or multiple sockets.

! The power supply cable must never be bent or dangerously compressed.

! The power supply cable must only be replaced by an authorised serviceman.

Warning! The company denies all liability if and when these norms are not respected.

The first wash cycle

Once the appliance has been installed, and before you use it for the first time, run a wash cycle with detergent and no laundry, setting the 90°C programme without a pre-wash cycle.

Technical details

Model WITE 87

Dimensions
40 cm wide
85 cm high
60 cm deep

Capacity from 1 to 5 kg

Electric connections voltage 220/230 Volts 50 Hz
maximum absorbed power 1850 W

Water connections maximum pressure 1 MPa (10 bar)
minimum pressure 0.05 MPa (0.5 bar)
drum capacity 42 litres

Spin speed up to 800 rpm

Control programmes according to IEC456 directive programme 2; temperature 60°C;
run with a load of 5 kg.



This appliance is compliant with the following European Community Directives:
- 73/23/CEE of 19/02/73 (Low Voltage) and subsequent amendments
- 89/336/CEE of 03/05/89 (Electromagnetic Compatibility) and subsequent amendments
- 2002/96/CE

GB

Installation

Description

Programmes

Detergents

Precautions

Care

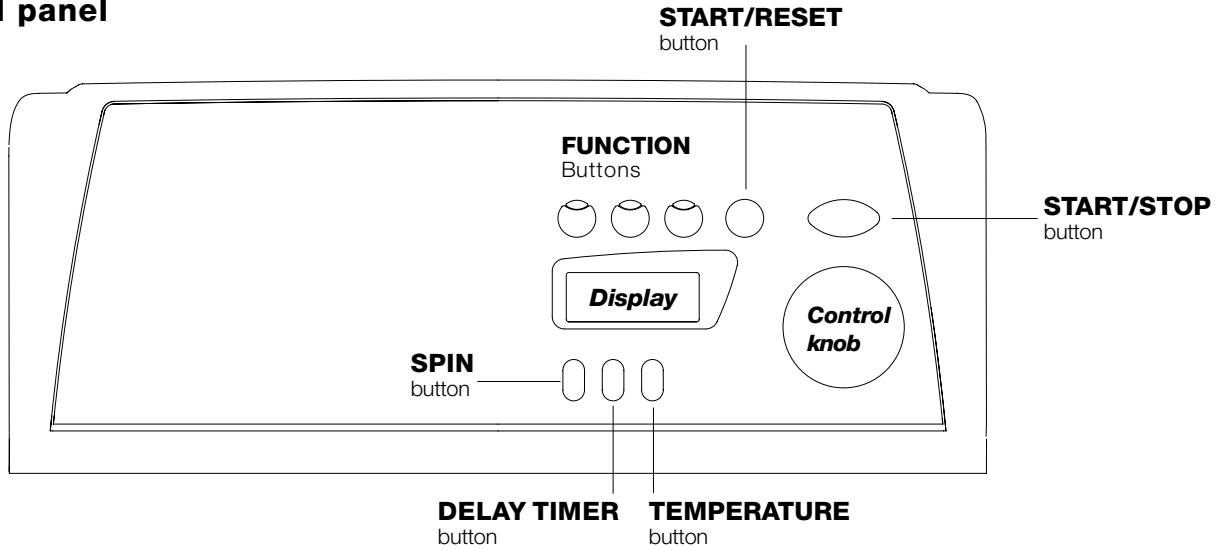
Troubleshooting

Service

Washing machine description

GB

Control panel



Detergent dispenser to add detergent and fabric softener (see page 8).

SPIN (*) button to adjust the spin speed or exclude it altogether (see page 7).

DELAY TIMER button to delay the start of the set programme for a maximum period of 24 hours (see page 7).

TEMPERATURE button to adjust the wash temperature (see page 7).

Display to programme the washing machine and follow the wash cycle progress (see opposite page).

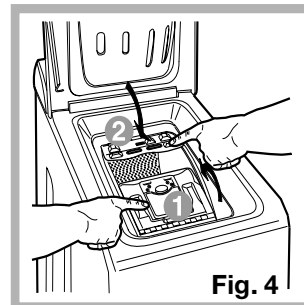
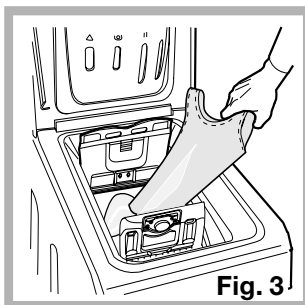
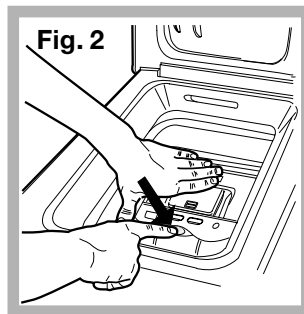
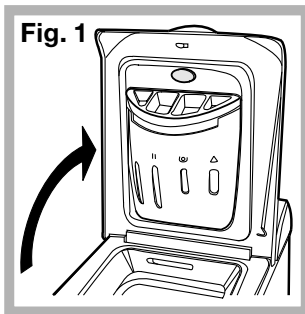
FUNCTION buttons: to select the functions available. The button corresponding to the function selected will remain on.

START/RESET button to start the programmes or cancel any incorrect settings.

START/STOP button to turn the washing machine on and off.

Control knob to select the wash programmes. The knob stays still during the cycle.

How to open and to close the drum



A) Opening (Fig. 1).

Lift the external lid and open it completely.

B) Then open the drum using both hands as shown in Fig. 2:

- press the button indicated by the arrow in Fig. 2 lightly downwards, with one hand firmly resting on the doors to prevent them from suddenly opening and hurting your fingers;
- therefore follow the appliance doors along as these unhook and open easily.

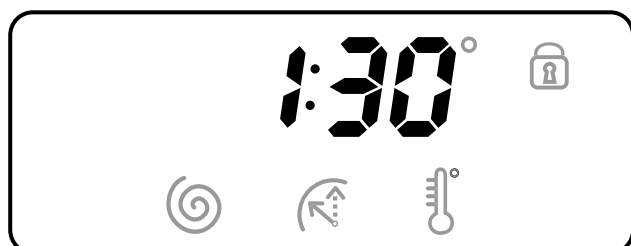
C) Loading the washing machine. (Fig. 3).

D) Shutting (Fig. 4).

- close the drum fully by first shutting the front door followed by the rear one;
- then ensure the hooks on the front door are perfectly housed within the seat of the rear door;
- after the hooks have clicked into position, press both doors lightly downwards to make sure they do not come loose;
- finally shut the external lid.

Display

In addition to being a practical tool to programme your appliance (see page 7), the display provides useful information concerning the wash cycle.



Once you have pressed the START/RESET button to start the programme, the display will indicate the amount of time left until the end of the wash cycle. If a delayed start has been set (using the Delay Timer, see page 7), the delay time will be indicated on the display.

Door lock:



If the symbol is on, the washing machine door is locked to prevent it from being opened accidentally. To avoid any damages, wait for the symbol to switch itself off before you open the appliance door.

At the end of the programme, the word "End" is displayed.

! In the event of an anomaly, an error code will appear, such as: F-01, see page 11-12 Troubleshooting.

"MEMO" Programme

This programme allows you to store your favourite or most-used wash cycle.

All you have to do is set the desired programme and, once it has started, turn the KNOB to position ; the wash cycle will be stored automatically and the word MEMO appears on the display, flashing for a few seconds. Subsequently, you can start the "MEMO" cycle by simply turning the KNOB to position ; you will be able to see the temperature/spin cycle/delay timer values by pressing the corresponding buttons; you will also be able to modify them but this variation will only be valid for the programme in progress and it will not be stored in the "MEMO" cycle.

If you want to store a new wash cycle, repeat the above-mentioned operations.

(*)

To avoid excessive vibrations, before every spin cycle the machine distributes the load in a uniform manner by continuously rotating the drum at a speed which is slightly faster than the normal washing speed.

When, despite repeated attempts, the load is still not evenly distributed, the machine spins at a lower speed than the set frequency.

If the load is excessively unbalanced, the machine attempts to distribute it instead of spinning.

The balancing attempts may extend the total duration of the cycle, up to a maximum of 10 minutes.

GB

Installation

Description

Programmes

Detergents

Precautions

Care



Troubleshooting

Service



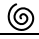

Starting and Programmes

GB

Briefly: starting a programme

1. Turn the washing machine on by pressing button .
2. Load your laundry into the washing machine, add the detergent and any fabric softener (see page 8) and shut the appliance door.
3. Set the knob to the desired programme. The estimated duration of the selected programme is displayed. The temperature and spin speed are automatically set according to the programme (to change them, see page 7).
4. Select any functions (see page 7).
5. Start the programme by pressing the START/RESET button.
To cancel it, keep the START/RESET button pressed for at least 2 seconds.
6. When the programme has ended, the word "End" is displayed. Take out your laundry and leave the appliance door ajar to allow the drum to dry thoroughly.
7. Turn the washing machine off by pressing button .

Programme table

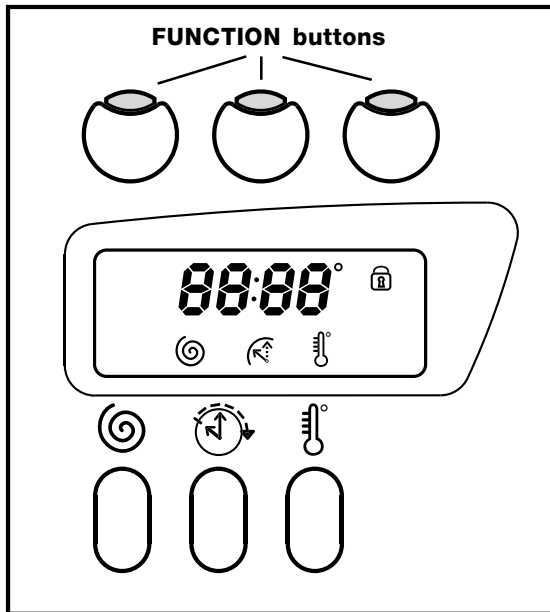
Type of fabric and degree of soil	Programmes	Temperature	Detergent		Fabric softener	Stain removal option/bleach	Cycle length (minutes)	Description of wash cycle
			pre-wash	wash				
Standard								
Cotton: Extremely soiled whites (sheets, tablecloths, etc.)	1	90°C	•	•	•		137	Pre-wash, wash cycle, rinse cycles, intermediate and final spin cycles
Cotton: Extremely soiled whites (sheets, tablecloths, etc.)	2	90°C		•	•	Delicate/Traditional	129	Wash cycle, rinse cycles, intermediate and final spin cycles
Cotton: Heavily soiled whites and fast colours	2	60°C		•	•	Delicate/Traditional	139	Wash cycle, rinse cycles, intermediate and final spin cycles
Cotton: Heavily soiled whites and delicate colours	2	40°C		•	•	Delicate/Traditional	131	Wash cycle, rinse cycles, intermediate and final spin cycles
Cotton: Slightly soiled whites and delicate colours (shirts, jumpers, etc.)	3	40°C		•	•	Delicate/Traditional	78	Wash cycle, rinse cycles, intermediate and final spin cycles
Synthetics: Heavily soiled fast colours (baby linen, etc.)	4	60°C		•	•	Delicate	79	Wash cycle, rinse cycles, anti-crease or delicate spin cycle
Synthetics: Heavily soiled fast colours (baby linen, etc.)	4	40°C		•	•	Delicate	65	Wash cycle, rinse cycles, anti-crease or delicate spin cycle
Wool - Hand wash	5	40°C		•	•		51	Wash cycle, rinse cycles, anti-crease and delicate spin cycle
Very delicate fabrics (curtains, silk, viscose, etc.)	6	30°C		•	•		52	Wash cycle, rinse cycles, anti-crease or draining cycle
Time 4 you								
Cotton: Heavily soiled whites and fast colours	7	60°C		•	•		60	Wash cycle, rinse cycles, intermediate and final spin cycles
Cotton: Slightly soiled whites and delicate colours (shirts, jumpers, etc.)	8	40°C		•	•		50	Wash cycle, rinse cycles, intermediate and final spin cycles
Synthetics: Delicate colours (all types of slightly soiled garments)	9	40°C		•	•		40	Wash cycle, rinse cycles, delicate spin cycle
Synthetics: Delicate colours (all types of slightly soiled garments)	10	30°C		•	•		30	Wash cycle, rinse cycles and delicate spin cycle
Sport								
Sports shoes (MAX. 2 pairs)	11	30°C		•	•		50	Cold wash (without detergents), wash cycle, rinse cycles, and delicate spin cycle
Fabrics for sportswear (Tracksuits, shorts, etc.)	12	30°C		•	•		60	Wash cycle, rinse cycles, intermediate and final spin cycles
MEMO		Allows for any wash cycle to be stored (see page 5)						
PARTIAL PROGRAMMES								
Rinse					•	Delicate/Traditional		Rinse cycles and spin cycle
Spin								Draining and spin cycle
Drain								Draining

Notes

- For programmes 7 and 8, we advise against exceeding a wash load of 3.5 kg.
- For programme 12 we advise against exceeding a wash load of 2 kg.
- For the anti-crease function: see Easy iron, *opposite page*. The information contained in the table is purely indicative.

Special programme

Daily (programme 10 for Synthetics) is designed to wash lightly soiled garments in a short amount of time: it only lasts 30 minutes and allows you to save on both time and energy. By setting this programme (10 at 30°C), you can wash different fabrics together (except for woollen and silk items), with a maximum load of 3 kg.
We recommend the use of liquid detergent.



Setting the spin cycle

If, when the appliance is switched on, the KNOB is positioned on a programme with a spin cycle, a fixed appears. Press button and the maximum spin speed allowed for the programme set will be displayed, and the icon flashes. Press it again and the values lower until they reach OFF, which indicates that the spin cycle has been excluded (press it again to go back to the maximum value); stop on the desired speed, after approximately 2 seconds the setting is accepted: the symbol remains fixed.

The spin cycle setting is enabled with all the programmes except for 6 and the Draining cycle.

Setting the Delay Timer

Press the button and you will see the word OFF on the display, while the relative symbol flashes.

Press the button again and "1h" appears, that is, a delay of one hour (this can reach up to 24h); stop on the "desired" delay; after approximately 2 seconds the setting is accepted, following which, the time for the set programme appears on the display and the symbol remains on.

If you now press the START/RESET button, the set "delay" appears; this decreases every hour until the start of the cycle. In this phase, the "delay" can only be modified by decreasing it. The Delay Timer regulation is enabled with all programmes.

Setting the temperature

If, when the appliance is switched on, the KNOB is positioned on a programme for which the temperature needs to be regulated, a fixed appears. Press button and the maximum temperature allowed for the programme set will be displayed and the icon flashes. Press it again and the temperature lowers until it reaches OFF, which indicates a cold wash cycle (press it again to go back to the maximum value); stop on the desired value, after approximately 2 seconds the setting is accepted: the symbol remains fixed.

The temperature adjustment is enabled with all wash programmes.

Functions

To enable a function:

1. press the button corresponding to the desired function, according to the table below;
2. the function is enabled when the corresponding button is illuminated.

Note: The rapid flashing of the button indicates that the corresponding function cannot be selected for the programme set.

If you set a function that is incompatible with another function you selected previously, only the last one selected will be enabled.

Function	Effect	Comments	Enabled with programmes:
Stain removal	Bleaching cycle designed to remove the toughest stains.	Please remember to pour the bleach into extra compartment 4 (see page 8). This function is incompatible with the EASY IRON function.	2, 3, 4, Rinse cycle.
Extra Rinse	Increases the efficiency of the rinse.	Recommended when the appliance has a full load or with large quantities of detergent.	1, 2, 3, 4, 7, 8, 9, 11, 12, Rinse cycle.
Easy iron	This option reduces the amount of creasing on fabrics, making them easier to iron.	When this function is set, programmes 4, 5, 6 will end, with the laundry left to soak (Anti-crease), and the relative button flashes: - to conclude the cycle, press the START/RESET button or the EASY IRON button; - to run the draining cycle alone, set the knob to the relative symbol and press the START/RESET button. This function is incompatible with the STAIN REMOVAL function.	3, 4, 5, 6, 7, 8, 9, Rinse cycle.

GB

Installation

Description

Programmes

Detergents

Precautions

Care

Troubleshooting

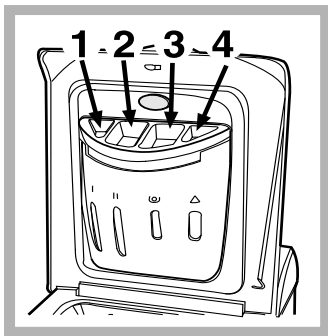
Service

Detergents and laundry

GB

Detergent dispenser

Good washing results also depend on the correct dose of detergent: adding too much detergent won't necessarily make for a more efficient wash, and may in fact cause build up on the interior of your appliance and even pollute the environment.



Open up the detergent dispenser and pour in the detergent and fabric softener, as follows.

compartment 1: Detergent for pre-wash (powder)

compartment 2: Detergent for the wash cycle (powder or liquid)

Liquid detergent should only be poured in immediately prior to the wash cycle start.

! Do not use hand wash detergent because it may form too much foam.

compartment 3: Additives (fabric softeners, etc.)

When pouring the softener in compartment 3, avoid exceeding the "max" level indicated.

The softener is added automatically into the machine during the last wash. At the end of the wash programme, some water will be left in compartment 3. This is used for the inlet of denser fabric softeners into the machine, i.e. to dilute the more concentrated softeners. Should more than a normal amount of water remain in compartment 3, this means the emptying device is blocked. For cleaning instructions, see page 10.



The fabric softener should not overflow from the grid.

compartment 4: Bleach

Bleach cycle

Traditional bleach should be used on sturdy white fabrics, and **delicate** bleach for coloured fabrics, synthetics and for wool.

When pouring in the bleach, be careful not to exceed the "max" level indicated on compartment 4 (see figure).

To run the bleach cycle alone, pour the bleach into compartment 4 and set the Rinse programme  (for cotton fabrics) and push the button  Bleaching.

Preparing your laundry

- Divide your laundry according to:
 - the type of fabric/the symbol on the label.
 - the colours: separate coloured garments from whites.
- Empty all pockets and check for loose buttons.
- Do not exceed the weight limits stated below, which refer to the weight when dry:
 - Sturdy fabrics: max 5 kg
 - Synthetic fabrics: max 2.5 kg
 - Delicate fabrics: max 2 kg
 - Wool: max 1 kg

How much does your laundry weigh?

- 1 sheet 400-500 g
- 1 pillow case 150-200 g
- 1 tablecloth 400-500 g
- 1 bathrobe 900-1,200 g
- 1 towel 150-250 g

Special items

Curtains: fold curtains and place them in a pillow case or mesh bag. Wash them separately without exceeding half the appliance load. Use programme 6 which excludes the spin cycle automatically.

Quilted coats and windbreakers: if they are padded with goose or duck down, they can be machine-washed. Turn the garments inside out and load a maximum of 2-3 kg, repeating the rinse cycle once or twice and using the delicate spin cycle.

Wool: for best results, use a specific detergent, taking care not to exceed a load of 1 kg.

! The washing machine was designed and built in compliance with the applicable international safety regulations. The following information is provided for your safety and should consequently be read carefully.

General safety

- This appliance has been designed for non-professional, household use and its functions must not be changed.
- This washing machine should only be used by adults and in accordance with the instructions provided in this manual.
- Never touch the washing machine when barefoot or with wet or damp hands or feet.
- Do not pull on the power supply cable to unplug the appliance from the electricity socket. Pull the plug out yourself.
- Do not open the detergent dispenser while the appliance is in operation.
- Do not touch the drain water as it could reach very high temperatures.
- Never force the washing machine door: this could damage the safety lock mechanism designed to prevent any accidental openings.
- In the event of a malfunction, do not under any circumstances touch internal parts in order to attempt repairs.
- Always keep children well away from the appliance while in operation.
- The appliance door tends to get quite hot during the wash cycle.
- Should it have to be moved, proceed with the help of two or three people and handle it with the utmost care. Never try to do this alone, because the appliance is very heavy.
- Before loading your laundry into the washing machine, make sure the drum is empty.

Disposal

- Disposing of the packaging material: observe local regulations, so the packaging can be re-used.
- Disposal of old electrical appliances
The European Directive 2002/96/EC on Waste Electrical and Electronic Equipment (WEEE), requires that old household electrical appliances must not be disposed of in the normal unsorted municipal waste stream. Old appliances must be collected separately in order to optimise the

recovery and recycling of the materials they contain and reduce the impact on human health and the environment.

The crossed out "wheeled bin" symbol on the product reminds you of your obligation, that when you dispose of the appliance it must be separately collected.

Consumers should contact their local authority or retailer for information concerning the correct disposal of their old appliance.

Saving energy and respecting the environment

Environmentally-friendly technology

If you only see a little water through your appliance door, this is because thanks to the latest technology, your washing machine only needs less than half the amount of water to get the best results: an objective reached to respect the environment.

Saving on detergent, water, energy and time

- To avoid wasting resources, the washing machine should be used with a full load. A full load instead of two half loads allows you to save up to 50% on energy.
- The pre-wash cycle is only necessary on extremely soiled garments. Avoiding it will save on detergent, time, water and between 5 and 15% energy.
- Treating stains with a stain remover or leaving them to soak before washing will cut down the need to wash them at high temperatures. A programme at 60°C instead of 90°C or one at 40°C instead of 60°C will save up to 50% on energy.
- Use the correct quantity of detergent depending on the water hardness, how soiled the garments are and the amount of laundry you have, to avoid wastage and to protect the environment: despite being biodegradable, detergents do contain ingredients that alter the natural balance of the environment. In addition, avoid using fabric softener as much as possible.
- If you use your washing machine from late in the afternoon until the early hours of the morning, you will help reduce the electricity board's peak load. The Delay Timer option (see page 7) helps to organise your wash cycles accordingly.
- If your laundry has to be dried in a tumble dryer, select a high spin speed. Having the least water possible in your laundry will save you time and energy in the drying process.

GB

Installation

Description

Programmes

Detergents

Precautions

Care

Troubleshooting

Services

Care and maintenance

GB

Cutting off the water or electricity supply

- Turn off the water tap after every wash. This will limit the wear of your appliance's water system and also prevent leaks.
- Unplug your appliance when cleaning it and during all maintenance operations.

Cleaning your appliance

The exterior and rubber parts of your appliance can be cleaned with a soft cloth soaked in lukewarm soapy water. Do not use solvents or abrasives.

Cleaning the detergent dispenser

Remove the dispenser by raising it and pulling it out (see figure).

Wash it under running water; this operation should be repeated frequently.

Caring for your appliance door and drum

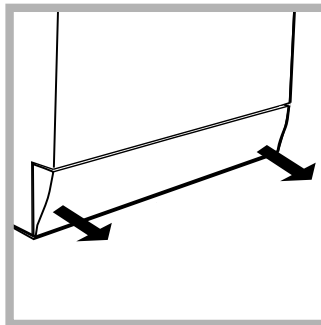
- Always leave the appliance door ajar to prevent unpleasant odours from forming.

Cleaning the pump

The washing machine is fitted with a self-cleaning pump that does not require any maintenance. Sometimes, small items (such as coins or buttons) may fall into the pre-chamber that protects the pump, situated in the lower part of the same.

! Make sure the wash cycle has ended and unplug the appliance.

To recover any objects that have fallen into the pre-chamber:



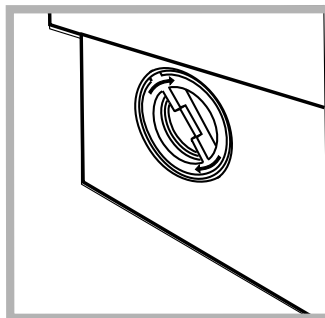
1. remove the plinth at the bottom on the front side of the washing machine by pulling from the side with your hands (see figure);

2. unscrew the lid rotating it anticlockwise (see figure): a little water may trickle out. This is perfectly normal;

3. clean the interior thoroughly;

4. screw the lid back on;

5. reposition the panel, making sure the hooks are securely in place before you push it onto the appliance.



Checking the water inlet hose

Check the water inlet hose at least once a year. If you see any cracks, replace it immediately: during the wash cycles, water pressure is very strong and a cracked hose could easily split open.

! Never use hoses that have already been used.

How to clean the detergent dispenser

Disassembly:

Press lightly on the large button on the front of the detergent dispenser and pull it upwards (fig. 1).

Cleaning:

Then clean the dispenser under a tap (fig. 3) using an old toothbrush and, once the pair of siphons inserted in the top of compartments 1 and 2 (fig. 4) have been pulled out, check whether the same are not clogged and then rinse them.

Reassembly:

Do not forget to reinsert the pair of siphons into the special housings and then to replace the dispenser into its seat, clicking it into place (fig. 4, 2 and 1).

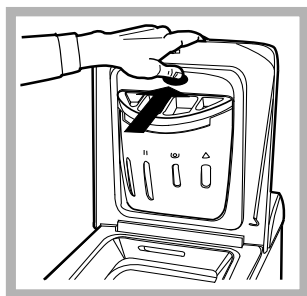


Fig. 1

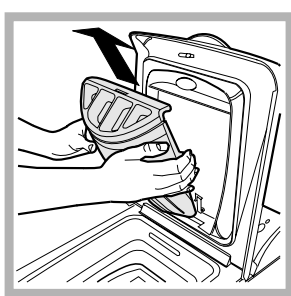


Fig. 2

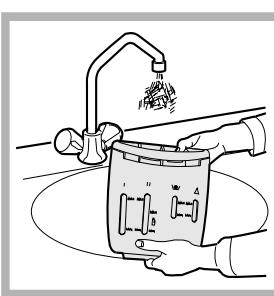


Fig. 3

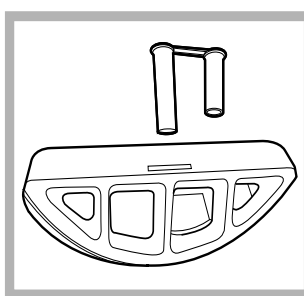


Fig. 4

Your washing machine could fail to work. Before calling for Assistance (see page 12), make sure the problem can't easily be solved by consulting the following list.

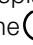
Problem

Possible causes/Solution:

The washing machine won't start.

- The appliance is not plugged into the socket, or not enough to make contact.
- There has been a power failure.

The wash cycle won't start.

- The appliance door is not shut properly (the word "Door" is displayed).
- The  button has not been pressed.
- The START/RESET button has not been pressed.
- The water tap is not turned on.
- A delayed start has been set (using the Delay Timer, see page 7).

The washing machine fails to load water (The wording H2O is displayed).

- The water inlet hose is not connected to the tap.
- The hose is bent.
- The water tap is not turned on.
- There is a water shortage.
- The water pressure is insufficient.
- The START/RESET button has not been pressed.

The washing machine continuously loads and unloads water.

- The drain hose is not fitted between 65 and 100 cm from the floor (see page 3).
- The free end of the hose is underwater (see page 3).
- The wall drainage system doesn't have a breather pipe.

If the problem persists even after these checks, turn off the water tap, switch the appliance off and call for Assistance. If the dwelling is on one of the upper floors of a building, there may be drain trap problems causing the washing machine to load and unload water continuously. In order to avoid such an inconvenience, special anti-drain trap valves are available in shops.

The washing machine does not drain or spin.

- The programme does not foresee the draining: some programmes require enabling the draining manually (see page 6).
- The Easy iron option is enabled: to complete the programme, press the START/RESET button (see page 7).
- The drain hose is bent (see page 3).
- The drain duct is clogged.

The washing machine vibrates too much during the spin cycle.

- When the machine is installed, the locking screws for the oscillating assembly are still in place. Remove the screws (see page 2).
- The washing machine is not level (see page 2).
- The washing machine is closed in between furniture cabinets and the wall (see page 2).

The washing machine leaks.

- The water inlet hose is not screwed on correctly (see page 2).
- The detergent dispenser is obstructed (to clean it, see page 10).
- The drain hose is not secured properly (see page 3).

There is too much foam.

- The detergent is not suitable for machine washing (it should bear the definition "for washing machines" or "hand and machine wash", or the like).
- You used too much detergent. ./. Fillwg.

GB

Installation

Description

Programmes

Detergents

Precautions

Care

Troubleshooting

Service

...Flwg.

The machine is locked and the display flashes, indicating an error code (e.g. F-01, F- ...).

This means there is a problem with the machine. Before calling Assistance, please follow the set of instructions below:

1. Switch off the machine.
2. Remove the plug connecting the appliance to the mains supply and wait for at least 40 seconds.
3. Place the plug back into the socket.
4. Switch on the machine.
5. If the problem is still evident after this process has been carried out, contact Assistance.

Before calling for Assistance:

- Check whether you can solve the problem on your own (*see page 71*);
- Restart the programme to check whether the problem has been solved;
- If this is not the case, contact an authorised Technical Service Centre on the telephone number provided on the guarantee certificate.

! If the machine has been installed or used incorrectly, you may be charged for the maintenance callout service.

! Always request the assistance of authorised servicemen.

Notify the operator of:

- the type of problem;
- the appliance model (Mod.);
- the serial number (S/N).

This information can be found on the data plate situated on the rear of the washing machine.

HU

Magyar

WITE 87

Összefoglalás

Üzembehelyezés, 14-15

Kicsomagolás és vízszintbe állítás, 14
Víz és elektromos csatlakozás, 14-15
Első mosási ciklus, 15
Műszaki adatok, 15

Mosógép leírása, 16-17

Vezérlőpanel, 16
A forgódob kinyitása és bezárása, 16
Kijelző, 17
"MEMO" Program, 17

Indítás és Programok, 18

Röviden: egy program elindítása, 18
Programtáblázat, 18

Program módosítások, 19

Centrifugálás beállítása, 19
Az időkéseletetés beállítása, 19
Hőmérséklet beállítása, 19
Funkciók, 19

Mosószerek és mosandók, 20

Mosószeraadagoló fiók, 20
Fehérítő ciklus, 20
Mosandó ruhák előkészítése, 20
Különleges bánásmódot igénylő darabok, 20

Óvintézkedések és tanácsok, 21

Általános biztonság, 21
Hulladékelhelyezés, 21
Környezetvédelem, 21

Karbantartás és törődés, 22

A víz elzárása és az elektromos áram kikapcsolása, 22
A mosógép tisztítása, 22
Az ajtó és a forgódob gondozása, 22
A szivattyú tisztítása, 22
A vízbevezető cső ellenőrzése, 22
A mosószertartó tisztítása, 22

Rendellenességek és elhárításuk, 23

Szerviz, 24

Mielőtt a Szervizhez fordulna, 24

Üzembehelyezés

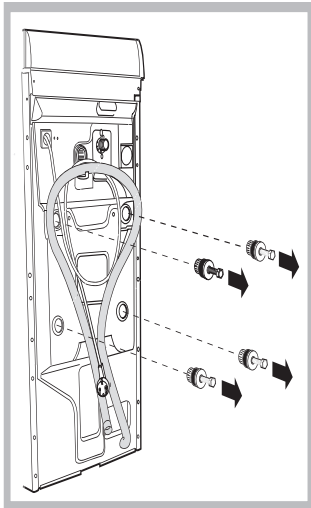
HU

! E kézikönyv megőrzése azért fontos, hogy bármikor elővehesse, és megnézhesse. Ha a mosógépet eladná, átadná vagy másnál helyezné el, gondoskodjon arról, hogy e használati utasítás a géppel együtt maradjon, hogy az új tulajdonos is megismerhesse a mosógép funkcióit és az ezekre vonatkozó figyelmeztetéseket.

! Figyelmesen olvassa el az utasításokat: fontos információkat tartalmaznak az üzembehelyezésről, a használatról és a biztonságról.

Kicsomagolás és vízszintbe állítás

Kicsomagolás



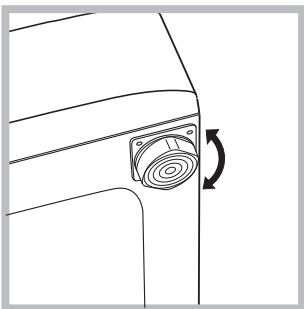
1. Csomagolja ki a mosógépet.
2. Ellenőrizze, hogy a mosógép nem sérült-e meg a szállítás során. Ha a gépen sérülést talál, ne csatlakoztassa, és forduljon a készülék eladójához.
3. Távolítsa el a hátoldalon található, a szállításához felszerelt 4 védőcsavart, valamint a gumit a hozzá tartozó távtartóval (lásd

ábra).

4. A furatokat zárja le a tartozékként kapott műanyag dugókkal.
5. Minden darabot őrizzen meg: ha a mosógépet szállítani kell, előtte ezeket vissza kell szerelni.

Figyelem: újbóli használat esetén a rövidebb csavarokat felülre kell szerelni.

! A csomagolóanyag nem gyermekjáték



kompenzálhatja azt (lásd ábra). A dőlés a gép felső burkolatán mérve nem lehet több, mint 2°.

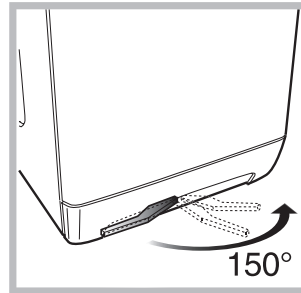
Vízszintezés

1. A mosógépet sík és kemény padlóra állítsa, úgy, hogy ne érjen falhoz, bútorhoz vagy másához.

2. Ha a padló nem tökéletesen vízszintes, az első lábak be-, illetve kicsavarásával

A pontos vízszintezés biztosítja a gép stabilitását, így az a működés során nem fog vibrálni, zajt okozni vagy elmozdulni. Szőnyegpadló vagy szőnyeg esetén a lábakat úgy állítsa be, hogy a mosógép alatt elegendő hely maradjon a szellőzésre.

Felállítás, áthelyezések

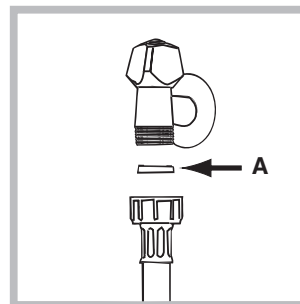


A mosógéped egy speciális, behúzható kerekekkel ellátott kocsi-val van felszerelve az áthelyezés megkönnyítése érdekében. Ezen kocsi leengedéséhez és így a gép erőfeszítés nélküli

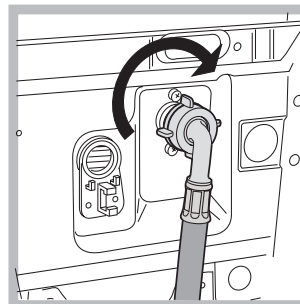
elmozdításához alul a zárócsík alatt, bal oldalon elhelyezett kart kell meghúzni. Az áthelyezés befejeztével a kiindulási állapotba tegyük a gépet. Ezen a ponton a gép biztonságosan fel van állítva.

Víz és elektromos csatlakozás

Vízbevezető cső csatlakoztatása



1. Illessze az A tömitést a vízbevezető cső végére és csavarozza fel a 3/4"-os külső menettel rendelkező hidegvíz csapra (lásd ábra). A csatlakoztatás előtt eressen ki a csapból vizet addig, amíg a víz teljesen átlátszóvá nem válik.



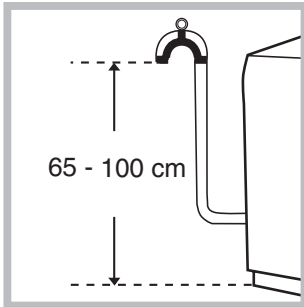
2. Csatlakoztassa a vízbevezető csövet a mosógéphez úgy, hogy azt a hátul jobboldalon fent lévő vízbemeneti csonkra csavarozza (lásd ábra).

3. Ügyeljen arra, hogy a csövön ne legyen törés vagy szűkület.

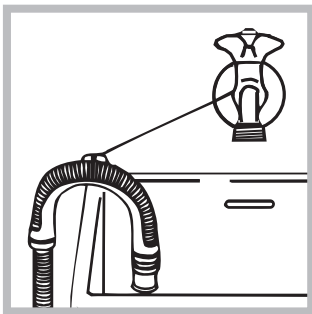
! A csapnál a víznyomásnak a Műszaki adatok táblázatban szereplő határértékek között kell lennie (lásd a szemben lévő oldalt).

! Amennyiben a vízbevezető cső nem elég hosszú, forduljon szaküzlethez vagy megbízott szakemberhez.

A leeresztőcső csatlakoztatása



A leeresztőcsövet csatlakoztassa lefolyóhoz vagy a padlótól 65 és 100 cm közötti magasságban lévő fali lefolyósífonhoz anélkül, hogy megtörné,



vagy akassza a mosdó vagy a kád szélére úgy, hogy a tartozékok között lévő vezetőt a csaphoz erősíti (lásd ábra). A leeresztőcső szabad végének nem szabad vízbe merülnie.

! Toldások használata nem javasolt. Amennyiben feltétlenül szükséges, a toldás átmérője egyezzen meg az eredeti csőével, és semmiképpen se legyen 150 cm-nél hosszabb.

Elektromos bekötés

Mielőtt a csatlakozódugót az aljzatba dugná, bizonyosodjon meg arról, hogy:

- az aljzat földelése megfelel a törvény által előírtak;
- az aljzat képes elviselni a gép Műszaki adatait tartalmazó táblázatban megadott maximális teljesítményfelvételt (lásd szemben);
- a hálózat feszültsége a Műszaki adatokat tartalmazó táblázatban szereplő értékek közé esik (lásd szemben);
- Az aljzat legyen kompatibilis a gép csatlakozódugójával. Ellenkező esetben cserélje ki az aljzatot vagy a csatlakozódugót.

! A mosógép nem állítható fel nyílt téren, még akkor sem, ha a tér tetővel van fedve, mert nagyon veszélyes, ha a gép esőnek vagy zivataroknak van kitéve.

! A csatlakozódugónak könnyen elérhető helyen kell lennie akkor is, amikor a gép már a helyén áll.

! Ne használjon hosszabbítót vagy elosztót.

! Ne legyen a kábel megtörve vagy összenyomva.



! A hálózati kábelt csak megbízott szakember cserélheti.

Figyelem! A gyártó minden felelősséget elhárít, amennyiben a fenti előírásokat figyelmen kívül hagyják.

Első mosási ciklus

Üzembehelyezés után, mielőtt a mosógépet használni kezdené, végezzen egy 90°-os előmosás nélküli mosást mosóporral de mosandó ruha nélkül.

Műszaki adatok

Modell	WITE 87
Méret	szélesség 40 cm magasság 85 cm mélység 60 cm
Ruhatöltet:	1-től 5 kg-ig
Elektromos csatlakozás	feszültség 220/230 Volt 50 Hz maximális felvett teljesítmény 1850 W
Vízcsatlakozások	maximális nyomás 1 MPa (10 bar) minimális nyomás 0,05 MPa (0,5 bar) dob űrtartalma 42 liter
Centrifuga fordulatszám	800 fordulat/perc-ig
IEC456 szabvány Szerinti vezérlőprogramok	2-as program; hőmérséklet 60°C; 5 kg ruhatöltettel végezve.
	Ez a berendezés megfelel a következő Uniós Előírásoknak: - 73/02/19-i 73/23/CEE előírás (Alacsony feszültség) és annak módosításai - 89/05/03-i 89/336/CEE előírás (Elektromágneses összeférhetőség) és annak módosításai - 2002/96/CE
	

☑

Üzembehelyezés

Leírás

Programok

Mosószer

Övintézkedések

Karbantartás

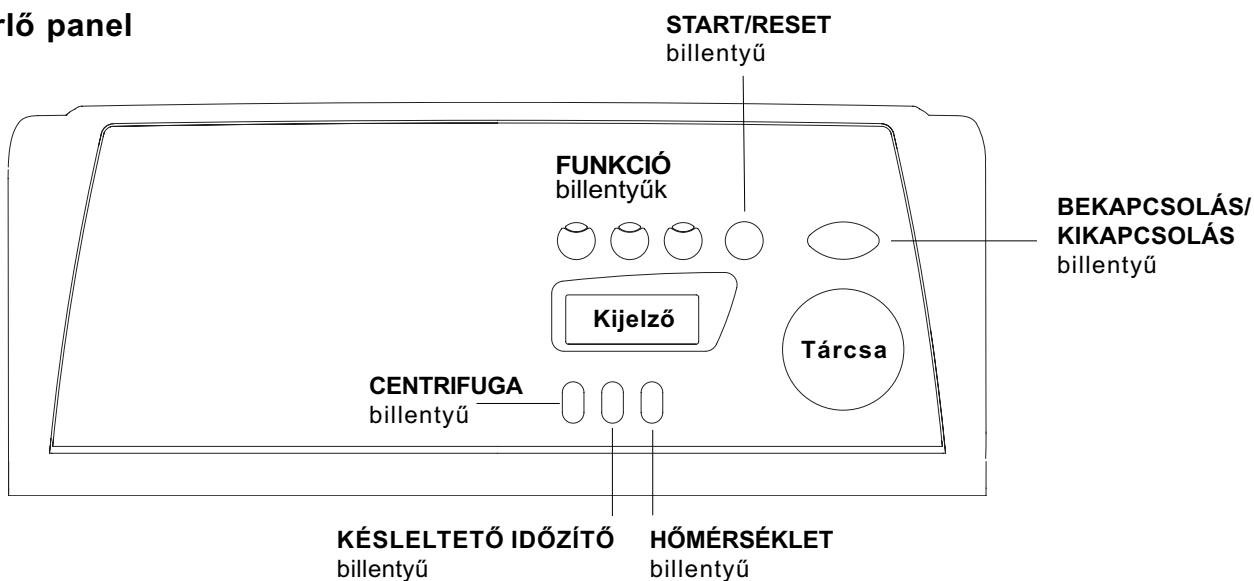
Rendellenességek

Szervíz

A mosógép leírása

HU

Vezérlő panel



Mosószeradagoló fiók a mosószerek és adalékszerek betöltésére (lásd 20. oldal).

CENTRIFUGA (*) billentyű a centrifugálás fordulatszámának beállítására illetve a centrifugálás kikapcsolására (lásd 19. oldal).

KÉSLELTETŐ IDŐZÍTŐ billentyű, a beállított program indítását késlelteti maximum 24 óráig (lásd old. 19).

HŐMÉRSÉKLET billentyű a mosás hőmérsékletének módosítására (lásd 19. oldal).

Kijelző a mosógép programozására és a mosási

ciklusok előrehaladásának ellenőrzésére (lásd szemben lévő oldal).

FUNKCIÓ billentyűk: a lehetséges funkciók kiválasztására. A kiválasztott funkció billentyűje világít.

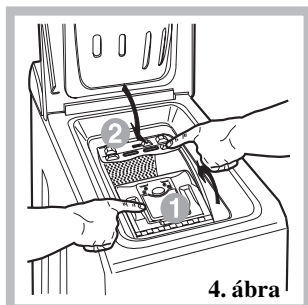
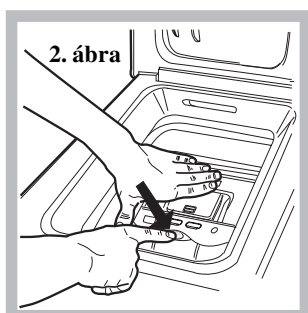
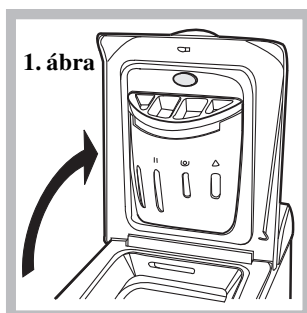
START/RESET billentyű a program elindítására vagy a hibás beállítás törlésére.

BEKAPCSOLÁS/KIKAPCSOLÁS billentyű a mosógép be- illetve kikapcsolására.

Tárcsa a programok kiválasztására.

A program során a tárcsa nem mozog.

A forgódob kinyitása és bezárása



A) KINYITÁS (1. ábra).

Felemelni a külső fedőlapot és teljesen kinyitni.

B) Ezután mindkét kézzel kinyitni a forgódobot, mint azt a 2) ábra jelzi:

- a 2. ábrán nyíllal jelölt nyomógombot megnyomni és enyhe nyomást gyakorolva lefelé az egyik kezét rátámasztani, amivel elkerülhető, hogy az ajtók hirtelen kinyílásával az ujjak megsérüljenek.
- végül kézzel vezetve az ajtók kikattannak és könnyen kinyílnak.

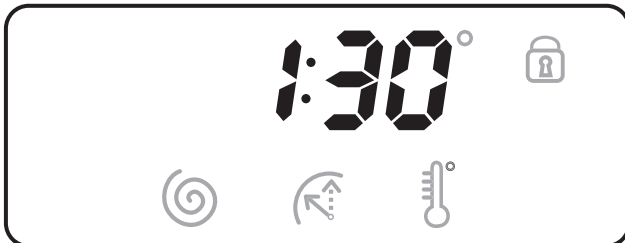
C) RUHANEMŰ BEHELYEZÉSE. (3. ábra)

D) BEZÁRÁS. (4. ábra)

- először az elülső ajtót leeresztve majd a hátsót ráhajtvá jól bezárni a forgódobot.
- ellenőrizni, hogy az elülső ajtó kampói tökéletesen illeszkednek-e a hátsó ajtóban levő helyükre.
- a kattánás „klak” észlelése után mindkét ajtóra enyhe nyomást gyakorolni lefelé, melyeknek nem szabad kikattanni.
- végül a külső fedőlapot bezárni.

Kijelző

A mosógép programozásán kívül (lásd 19. old.), a kijelző a mosási ciklussal kapcsolatos információk megjelenítésére szolgál.



Az után, hogy a program elindításához megnyomta a START/RESET billentyűt, a kijelzőn a ciklus végéig hátralévő idő látható. Abban az esetben, ha az indító órán késleltetés van beállítva (Késleltetés időzítő, lásd 19. oldal) ezt megjeleníti.

Ajtózár:

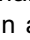

A világító jelzőlámpa jelöli, hogy az ajtó reteszelve van a véletlen kinyitás megakadályozására. A károk elkerülése érdekében meg kell várni, hogy a jelzőlámpa kialudjon, mielőtt megpróbálná az ajtót kinyitni.

A program végén az "End" felirat jelenik meg.

! Rendellenes működés esetén a hiba kódja jelenik meg, például: F-01, (lásd 23. oldal).

"MEMO" Program

Ez a program lehetővé teszi a kedvenc vagy leggyakrabban használt mosási program tárolását.

Elegendő beállítani a kívánt programot, majd annak elindítása után a TÁRCSA  állásba kapcsolni, és a ciklus automatikusan memorizálódik, a kijelzőn pedig pár másodpercig megjelenik a villogó "MEMO" felirat. Ezt követően a "MEMO" program egyszerűen a TÁRCSA  pozícióba állításával elindítható; a megfelelő gombok megnyomásával megjeleníthetők a hőmérsékleti/centrifugálási/késleltetési értékek, azok megváltoztathatóak, de a változtatás csak az adott mosásra marad érvényben és nem memorizálódik a "MEMO" ciklusban.

Ha új mosási ciklust szeretne memorizálni, ismétlje meg a fent leírtakat.

(*)

A minden centrifugálás elején jelentkező túlzott vibrálás elkerülése érdekében a készülék egyenletesen elosztja a bepakolt ruhákat a dob folyamatos, a mosási sebességnél valamivel gyorsabb forgatásával.

Ha azonban az ismételt próbálkozások ellenére sem sikerül a bepakolt ruhát tökéletesen elosztani, a készülék a beállítottnál kisebb fordulatszámra fog centrifugálni.

Abban az esetben, ha túlságosan nagy a kiegyensúlyozatlanság, a készülék végzi el az elosztást a centrifuga helyett. A kiegyensúlyozásra tett esetleges próbálkozások maximum 10 perccel nyújthatják meg a ciklus teljes időtartamát.



Üzembehelyezés

Leírás

Programok

Mosószer

Övintézkedések

Karbantartás

Rendellenességek

Szerviz




Indítás és Programok

HU

Röviden: egy program elindítása

1. Kapcsolja be a mosógépet az (I) gomb megnyomásával. Néhány másodpercre az összes ikon kigyullad, majd elalszik..
2. Rakja be a mosnivalót, töltsse be a mosószert és adalékanyagokat (lásd 20. oldal), majd zárja össze az dob szárnyait, és csukja le a fedelet!
3. A PROGRAMOK tárcsával állítsa be a kívánt mosóprogramot.
4. Állítsa be a mosási hőmérsékletet (lásd 19. oldal).
Állítsa be a centrifugálási fordulatszámot (lásd 19. oldal).
5. A START/RESET billentyű megnyomásával indítsa el a programot.
A törléshez tartsa nyomva a START/RESET billentyűt legalább 2 másodpercen keresztül.
6. A program végén megjelenik az „End” felirat.
Körülbelül 3 perc múlva kialszik a kulcs-ikon és az ablakokat ki lehet nyitni. Vegye ki a ruhaneműt és hagyja résnyire nyitva az ablakokat, hogy a dob kiszáradjon.
7. Kapcsolja ki a mosógépet az (I) gomb megnyomásával.

Programtáblázat

Az anyag és a piszok természete	Programok	Hőmérséklet	Mosószer		Lágyítószer	Folteltávolító/ Fehérítő opció	Ciklusidő (perc)	A mosási ciklus leírása
			előmosás	mosás				
Szokásos								
Pamut: Erősen szennyezett fehér ruhák (lepedő, abrosz, stb.)	1	90°C	•	•	•		137	Előmosás, mosás, öblítés, középső és végső centrifugálás
Pamut: Erősen szennyezett fehér ruhák (lepedő, abrosz, stb.)	2	90°C		•	•	Finom / Hagyományos	129	Mosás, öblítés, középső és végső centrifugálás
Pamut: Erősen szennyezett fehér és magasabb hőmérsékleten mosható színes ruhák	2	60°C		•	•	Finom / Hagyományos	139	Mosás, öblítés, középső és végső centrifugálás
Pamut: Erősen szennyezett finom fehér és színes ruhák	2	40°C		•	•	Finom / Hagyományos	131	Mosás, öblítés, középső és végső centrifugálás
Pamut: Enyhén szennyezett fehér és finom színes ruhák (ingek, blúzok, stb.)	3	40°C		•	•	Finom / Hagyományos	78	Mosás, öblítés, középső és végső centrifugálás
Szintetikus anyagok: Erősen szennyezett magasabb hőmérsékleten mosható színes ruhák (baba fehérmű, stb.)	4	60°C		•	•	Finom	79	Mosás, öblítés, gyűrődésgátlás vagy finom centrifugálás
Szintetikus anyagok: Erősen szennyezett magasabb hőmérsékleten mosható színes ruhák (baba fehérmű, stb.)	4	40°C		•	•	Finom	65	Mosás, öblítés, gyűrődésgátlás vagy finom centrifugálás
Gyapjú	5	40°C		•	•		51	Mosás, öblítés, gyűrődésgátlás és finom centrifugálás
Nagyon finom szövetek (függönyök, selyem, viszkóz, stb.)	6	30°C		•	•		52	Mosás, öblítés, gyűrődésgátlás vagy őrítés
Idő Önnel								
Pamut: Erősen szennyezett fehér és magasabb hőmérsékleten mosható színes ruhák	7	60°C		•	•		60	Mosás, öblítés, középső és végső centrifugálás
Pamut: Enyhén szennyezett fehér és finom színes ruhák (ingek, blúzok, stb.)	8	40°C		•	•		50	Mosás, öblítés, középső és végső centrifugálás
Szintetikus anyagok: Finom színes ruhák (bármilyen enyhén szennyezett fehérmű)	9	40°C		•	•		40	Mosás, öblítés és finom centrifugálás
Szintetikus anyagok: Finom színes ruhák (bármilyen enyhén szennyezett fehérmű)	10	30°C		•	•		30	Mosás, öblítés és finom centrifugálás
Sport								
Sportcipők (MAX. 2 pár.)	11	30°C		•	•		50	Hidegmosás (mosópor nélkül), mosás, öblítés és finom centrifugálás
Sportruhák (tréningruhák, rövidnadrágok, stb.)	12	30°C		•	•		60	Mosás, öblítés, középső és végső centrifugálás
MEMO		Bármilyen mosási típus memorizálását engedélyezi (lásd 17. oldal).						
RÉSZLEGES PROGRAMOK								
Öblítés						Finom / Hagyományos		Öblítés és centrifugálás
Centrifugálás								Űrités és centrifugálás
Űrités								Űrités

Megjegyzések

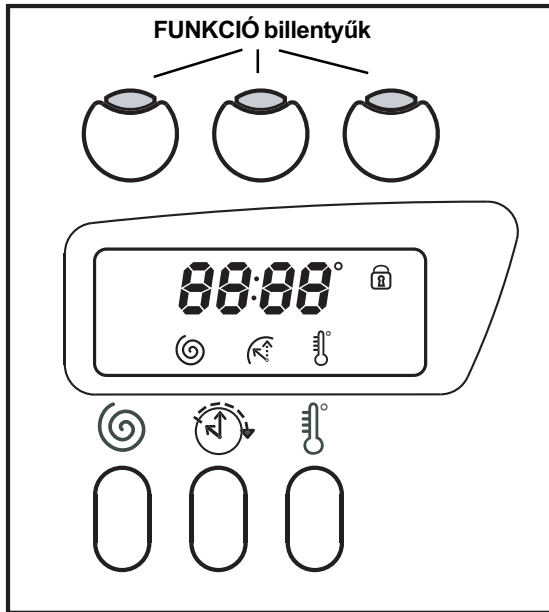
-A 7 - 8 programok esetén nem ajánlatos 3,5 kg ruhánál többet betenni.

-A 12 program esetén nem ajánlatos 2 kg ruhánál többet betenni.

-A gyűrődésgátlás leírásához: lásd Vasalj kevesebbet, szemben lévő oldal. A táblázatban szereplő értékek tájékoztató jellegűek.

Speciális program

Napközbeni 30' (10-es program szintetikus anyagokhoz) programot kevésbé szennyezett ruhák gyors mosására fejlesztettük ki: mindössze 30 percig tart, így energiát és időt takarít meg. A 10-es programot 30°C hőmérsékletre beállítva különböző jellegű anyagokat együttesen lehet mosni (kivéve gyapjú és selyem), maximum 3 kg-os töltéssel. *Folyékony mosószer használatát javasoljuk.*



Centrifugálás beállítása

Ha a mosógép bekapcsolásakor a TÁRCSA olyan programra van állítva, amelynél a centrifugálást be kell állítani, az ikon folyamatosan világít. Az gomb megnyomásával megjelenik a beállított programra vonatkozó maximális centrifugálási sebesség és az ikon villogni kezd. A gomb ismételt megnyomásával az érték OFF állásig csökken, ami a centrifugálás elhagyását jelenti (ha vissza szeretne térni magasabb értékhez, nyomja a gombot tovább); álljon meg a kívánt értéknél, körülbelül 2 másodperc múlva a kiválasztott értéket a mosógép elfogadja: az szimbólum folyamatosan világít. A beállított centrifugálási fordulatszám minden programra érvényes, kivéve a 6-est és a Szivattyúzást.

Az időkésleltetés beállítása

A kijelzőn az gomb megnyomása után megjelenik az OFF felirat és az ennek megfelelő szimbólum villogni kezd. A gomb újbóli megnyomásával megjelenik az „1h”, azaz egy óras késleltetés, és így tovább, egészen 24 óráig; álljon meg a kívánt „késleltetésnél”, körülbelül 2 másodperc múlva a kiválasztott értéket a mosógép elfogadja; ezt követően a kijelzőn megjelenik a beállított programra vonatkozó

késleltetési idő és az szimbólum folyamatosan világít. Ha most megnyomja a START/RESET gombot, újra megjelenik a kiválasztott „késleltetési” idő, mely minden órával csökken egészen a ciklus indulásáig, ebben a szakaszban a „késleltetés” csak visszafele módosítható. Az Időkésleltető mindegyik programhoz beállítható.

Hőmérséklet beállítása

Ha a mosógép bekapcsolásakor a TÁRCSA olyan programra van állítva, amelynél a hőmérsékletet be kell állítani, az ikon folyamatosan világít. Az gomb megnyomásával megjelenik a beállított programra vonatkozó maximális hőmérséklet és az ikon villogni kezd. A gomb ismételt megnyomásával a hőmérséklet OFF állásig csökken, ami a hidegmosást jelenti (ha vissza szeretne térni magasabb értékhez, nyomja a gombot tovább); álljon meg a kívánt értéknél, körülbelül 2 másodperc múlva a kiválasztott értéket a mosógép elfogadja: az szimbólum folyamatosan világít. A beállított hőmérséklet minden mosóprogramra érvényes.

Funkciók

A mosógép különféle mosófunkciói lehetővé teszik a kívánt tisztítás és fehérség elérését. A funkciók bekapcsolásához:

1. nyomja meg a kívánt funkcióhoz tartozó billentyűt, az alábbi táblázat szerint;
2. a billentyű világítása azt jelzi, hogy a hozzá tartozó funkció be van kapcsolva.

Megjegyzés: A gyors villogás azt jelenti, hogy a beállított programhoz a billentyűhöz tartozó funkció nem kapcsolható be.

Abban az esetben, ha egy másik, korábban kiválasztottal össze nem férő funkciót kapcsol be, csak az utolsóként választott marad bekapcsolva.

Funkciók	Hatás	Megjegyzések a használathoz	A következő programokkal működik:
Fehérités	A fehérités ciklus a legmakacsabb foltok eltávolítására alkalmas.	Ne felejtse al a fehéritőszert a 4-es berakható tartályba tölteni (lásd 20. oldal). Ez a VASALJ KEVESEBBET funkcióval nem fér össze.	2, 3, 4, Öblítések.
Extra Öblítés	Növeli az öblítés hatékonyságát.	A mosógép teljes töltése esetén vagy nagymennyiségű mosószeraadagolás esetén javasolt.	1, 2, 3, 4, 7, 8, 9, 11, 12, Öblítések.
Vasalj kevesebbet	Csökkenti az anyagok gyűrődését, ezzel könnyítve a vasalást.	Ennek a funkciónak a beállításával a 4, 5, 6 programok az áztatásnál (Gyűrődésgátlás) leállnak és az ehhez tartozó gomb villogni kezd. - a ciklus befejezéséhez nyomja meg a START/RESET vagy a VASALJ KEVESEBBET gombot. - ha csak le akarja szivattyúzni a vizet, a tárcsát állítsa a szivattyúzást szimbólumára , és nyomja meg a START/RESET billentyűt. Ez a FEHÉRÍTÉS funkcióval nem fér össze.	3, 4, 5, 6, 7, 8, 9, Öblítések.

Üzembehelyezés

Leírás

Programok

Mosószerek

Övintézkedések

Karbantartás

Rendellenességek

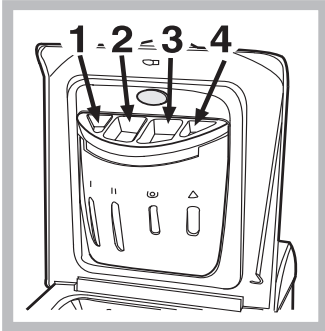
Szervíz

Mosószeresek és mosandók

HU

Mosószeradagoló fiók

A mosás eredményessége függ a mosószer helyes adagolásától is: ha túl sokat adagol belőle, a mosás nem lesz hatékonyabb, de hozzájárul ahhoz, hogy lerakódás képződjön a mosógépben, valamint a környezetet is jobban szennyezi.



Húzza ki a mosószeradagoló fiókot, és a következőképpen tegye bele a mosószert vagy az adalékot.

1. es tartály: Mosószer előmosáshoz (por)

2. rekesz: Mosószer (por vagy folyékony)

A folyékony mosószert helyezze közvetlen a rekeszbe az erre a célra kialakított mérőedénybe.

3. rekesz: Adalékanyagok (lágýtószer, stb.)

Amikor a 3. rekeszbe betölti a lágýtószert, ügyeljen rá, hogy ne lépje túl a "max" jelzést. A lágýtószer automatikusan belekerül a mosógépbe az utolsó öblítéskor. A program végén a 3. rekeszben bizonyos mennyiségű víz marad. Ez a túlságosan suru lágýtószer feloldására, vagy a koncentrátumok hígítására szolgál. Ha a 3. rekeszben több víz marad, mint általában, az az ürítónyílás eltömődését jelenti. A kitisztításához lásd 22. oldal.

4. rekesz: Fehérítőszer



! Ne használjon kézimosószert, mert túlzottan sok hab képződik.

Fehérítő program

A **hagyományos** fehérítő programot az erős fehér szövetekhez, míg a **kímélő** fehérítést a színes, szintetikus és gyapjú ruhákhoz használja.

A fehérítő adagolásakor ügyeljen arra, hogy ne lépje túl a 4-es rekesz "max" jelzését (lásd ábra). A fehérítő adagolásakor ügyeljen arra, hogy ne lépje túl a 4-es rekesz "max" jelzését (lásd ábra).

Ha csak fehéríteni szeretne, öntse a fehérítőt a 4.

rekeszbe, állítsa be az Öblítés programot  és nyomja meg a Folteltávolítás  funkciógombot.

Mosandó ruhák előkészítése

- Osztályozza a mosandókat a következők szerint:
 - kelme típusa / címkén lévő szimbólum.
 - színek: válogassa külön a színes ruhákat a fehérektől.
- Ürítse ki a zsebeket, és vizsgálja meg a gombokat.
- Ne lépje túl a mosandók száraz súlyára vonatkozóan megadott értékeket:
 - Tartós anyagok: max. 5 kg
 - Szintetikus anyagok: max. 2,5 kg
 - Kényes anyagok: max. 2 kg
 - Gyapjú: max. 1 kg

Milyen nehezek a mosandó ruhák?

- 1 lepedő 400-500 g.
- 1 párnahuzat 150-200 g.
- 1 asztalterítő 400-500 g.
- 1 fürdőköpeny 900-1200 g.
- 1 törülköző 150-250 g.

Különleges bánásmódot igénylő darabok

Függönyök: hajtogatva tegye párnahuzatba (vászonzsákba) vagy hálós zacskóba. Külön mossa őket, és ne lépje túl a fél töltésnyi mennyiséget. használja a 6-es programot, amelyik automatikusan kikapcsolja a centrifugálást.

Toll/pehely ágyneműk és tollkabátok: ha a benne lévő liba vagy kacsatoll mosógépben mosható. Fordítsa ki a darabokat, és egyszerre legfeljebb 2-3 kg-nyit mosson úgy, hogy egyszer vagy kétszer megismétli az öblítést, és kíméletes centrifugálást használ.

Teniszcipők: tisztítsa meg a sártól. Együtt moshatók a farmer és más tartós anyagokkal, de nem a fehér ruhadarabokkal.

Gyapjú: a legjobb eredmény elérése érdekében használjon speciális mosószert (gyapjúmosószert), és ne lépje túl az 1 kg ruhatöltetet.

! A mosógépet a nemzetközi biztonsági szabványoknak megfelelően tervezték és gyártották. Ezeket a figyelmeztetéseket biztonsági okokból írjuk le, és figyelmesen el kell olvasni őket.

Általános biztonság

- A mosógépet csak felnőtt használhatja, és csak az e használati utasításban megadott utasítások szerint.
- Ne érjen a géphez meztláb, illetve vizes vagy nedves kézzel vagy lábbal.
- A csatlakozódugót az aljzatból ne a kábelt, hanem a csatlakozót fogva húzza ki.
- Ne nyissa ki a mosószeradagoló fiókot, ha a mosógép működik.
- Ne nyúljon a leeresztett vízbe, mert forró lehet.
- Semmiképpen ne feszegesse az ajtót: megsérülhet a véletlen nyitást akadályozó biztonsági retesz.
- Hiba esetén semmiképpen se nyúljon a gép belső részeihez, és ne próbálja megjavítani.
- Mindig ügyeljen arra, hogy gyerekek ne mehessenek a működő gép közelébe.
- A mosás során az ajtó meleg lehet.
- Amennyiben a gépet át kell helyezni, két vagy három személy végezze, maximális figyelemmel. Soha sem egyedül, mert a gép nagyon súlyos.
- A mosandó berakása előtt ellenőrizze, hogy a forgódob üres legyen.

Hulladékéelhelyezés

- Öreg mosógép kidobása: mielőtt a hulladékok közé helyezné, tegye használhatatlanná úgy, hogy elvágja a hálózati kábelt, és letépi az ajtót.
- **A régi elektronikus termékek megsemmisítése**
Az elektromos készülékek megsemmisítéséről szóló európai direktíva 2002/96/EC eloirja, hogy a régi háztartási gépeket nem szabad a normál nem szelektív hulladékgyűjtési folyamat során összegyűjteni. A régi gépeket szelektíven kell összegyűjteni, hogy optimalizálni lehessen a bennük

lévo anyagok újrahasznosítását és csökkenteni lehessen az emberi egészségre és környezetre gyakorolt hatásukat. Az áthúzott "szemeteskuka" jele emlékezteti Önt arra, hogy kötelessége ezeket a termékeket szelektíven összegyűjteni.

A fogyasztóknak a helyi hatóságot vagy kereskedőt kell felkeresniük a régi háztartási gépek helyes elhelyezését illetően.

Környezetvédelem

Környezetvédelmet szolgáló technológia

Ha az ajtó üvegén keresztül kevés víz látszik, az azért van, mert az új technológiának köszönhetően az Indesittak a felénél kevesebb víz is elég ahhoz, hogy maximális tisztítóhatást érjen el: egy olyan cél, amelyet a környezet megóvása érdekében tűztünk ki.

Takarítson meg mosószert, vizet, energiát és időt

- Annak érdekében, hogy ne pazaroljunk az erőforrásokkal, a mosógépet teljes ruhatöltettel kell használni. Egy teljes ruhatöltettel való mosás két féltöltet helyett, akár 50% energia megtakarítást is lehetővé tehet.
- Az előmosás csak nagyon szennyezett ruhák esetén szükséges. Ha nem használja, azzal mosószert, időt és 5-15% energiát takarít meg.
- Ha a foltokat a mosás előtt folttisztítóval kezeli, és beáztatja, kevesebb szükség lesz a magas hőmérsékletű mosásra. A 60°C-on történő mosás a 90°C helyett, vagy 40°C-on 60°C helyett akár 50% energiamegtakarításhoz is vezethet.
- Ha a mosószert a víz keménysége, a szennyezettség mértéke és a ruha mennyisége alapján helyesen adagolja, elkerüli a pazarlást és nem terheli feleslegesen a környezetet: még, ha biológiailag lebomló fajtájúak is, a mosószerek olyan összetevőket tartalmaznak, amelyek megváltoztatják a természet egyensúlyát. Ezen kívül, kerülsz az öblítőszerke használata, amennyire csak lehet.
- Ha a késő délután és a kora hajnal közötti időszakban mos, akkor hozzájárul ahhoz, hogy csökkentse az áramszolgáltató vállalatok terhelését. A Késleltető időzítő (lásd 19 oldal) nagyon hasznos a mosás időzítése szempontjából.
- Ha a mosott ruhákat utána szárítógépben szárítja, magas fordulatszámú centrifugálást válasszon. Ha a mosott ruhában kevés a víz, időt és energiát takarít meg a szárítóprogramnál.

HU

Üzembehelyezés

Leírás

Programok

Mosószerek

Óvintézkedések

Karbantartás

Rendellenességek

Szerviz

Karbantartás és törődés

HU

A víz elzárása és az elektromos áram kikapcsolása

- Minden mosás után zárja el a vízcsapot. Így kíméli a mosógép vízrendszerét, és megszünteti a vízszivárgás kockázatát.
- Húzza ki a hálózati csatlakozódugót az aljzathoz, amikor a mosógépet tisztítja vagy karbantartást végez.

A mosógép tisztítása

A külső részeket és a gumi részeket langyos szappanos vizes ronggyal tisztíthatja. Ne használjon oldószert vagy súrolószert.

A mosószeradagoló fiók tisztítása

Vegye ki a fiókot úgy, hogy felemeli és kifelé húzza (lásd ábra).

Folyóvíz alatt mossa ki. Ezt a tisztítást gyakran el kell végezni.

Az ajtó és a forgódob gondozása

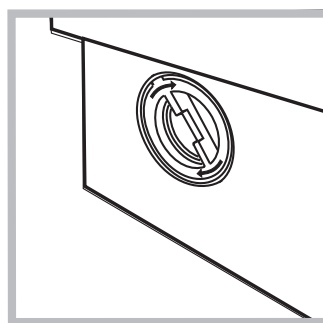
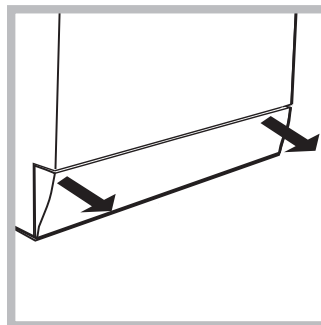
- Az ajtót hagyja mindig részre nyitva, nehogy rossz szagok keletkezzenek.

A szivattyú tisztítása

A mosógép öntisztító szivattyúval van felszerelve, melynek nincs szüksége tisztítási és karbantartási műveletekre. Az azonban megtörténhet, hogy kis tárgyak kerülnek (aprópénz, gomb) a szivattyút védő előkamrába, ami a szivattyú alsó részén található.

! Győződjön meg róla, hogy a mosóprogram véget ért, és húzza ki a hálózati csatlakozót.

Az esetlegesen a dob mellé esett tárgyak kiemeléséhez:



1. vegye le a mosógép elülső oldalán alul elhelyezkedő részt kézzel meghúzva a szélén (lásd ábra);
2. az óra járásával ellentétes irányban forgatva csavarja le a fedelet (lásd ábra): természetes, hogy egy kevés víz kifolyik;
3. gondosan tisztítsa ki a belsejét;
4. csavarja vissza a fedelet;
5. szerelje vissza a panelt úgy, hogy mielőtt azt a gép felé nyomná,

meggyőződik arról, hogy a horgok a hozzájuk tartozó furatokba illeszkednek.

A vízbevezető cső ellenőrzése

Évente legalább egyszer ellenőrizze a gumicsövet. Ki kell cserélni, ha repedezett vagy hasadozott: a mosás során a nagy nyomás hirtelen szakadást okozhat.

! Soha ne alkalmazzon már használt csöveket.

A mosószertartó tisztítása

Kivétel:

Enyhé nyomást gyakorolni a mosószertartó elülső részén levő nagy nyomógombra és felfelé kihúzni (1. ábra).

Tisztítás:

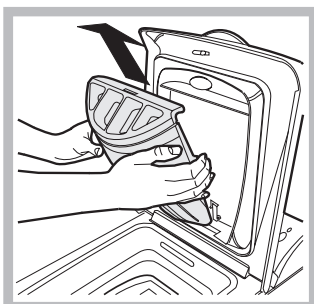
Ezután kitisztítani vízcsap alatt a tartót (3. ábra) egy régi fogkefe segítségével és az 1-es és 2-es rekeszek felső részébe illesztett két szivornyát kihúzva (4. ábra) megvizsgálni, hogy azok ne legyenek eltömődve majd leöblíteni.

Visszahelyezés:

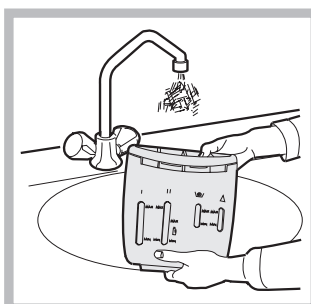
Ne felejtse el visszailleszteni a két szivornyát a megfelelő helyére és végül a tokjába beakasztva visszatenni a tartót.



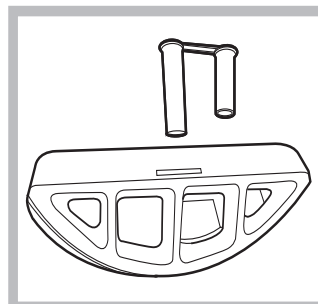
4. ábra



4. ábra



4. ábra



4. ábra

Rendellenességek és elhárításuk

Megtörténhet, hogy a mosógép nem működik. Mielőtt felhívna a Szervizt (lásd 24. oldal) ellenőrizze, hogy nem olyan problémáról van szó, amely a következő lista segítségével egyszerűen megoldható.


Rendellenességek:

Lehetséges okok / Megoldás:

A mosógép nem kapcsol be.

- A hálózati csatlakozódugó nincs bedugva az aljzatba, vagy nem eléggé ahhoz, hogy jól érintkezzen.
- Nincs áram a lakásban.

A mosási ciklus nem indul el.

- Az ajtó nincs jól becsukva (a kijelzőn a "Door" felirat olvasható).
- Nem nyomta meg az  billentyűt.
- Nem nyomta meg a START/RESET billentyűt.
- A vízcsap nincs nyitva.
- Az indítás késleltetése van beállítva (Késleltető időzítő, lásd 19. oldal).

A mosógép nem vesz fel vizet (A kijelzőn H₂O olvasható).

- A vízbevezető cső nincs csatlakoztatva a csaphoz.
- A cső meg van törve.
- A vízcsap nincs nyitva.
- A lakásban nincs víz.
- Nincs elegendő nyomás.
- Nem nyomta meg a START/RESET billentyűt.

A mosógép folytonosan szívja és leereszti a vizet.

- A leeresztőcső nem a padlószinttől 65 és 100 cm közötti magasságban van felszerelve (lásd 15. oldal).
- A leeresztőcső vége vízbe merül (lásd 15. oldal).
- A fali szifonnak nincs szellőzése.

Ha ezen vizsgálatok után a probléma nem oldódik meg, zárja el a vízcsapot, kapcsolja ki a mosógépet és hívja ki a szervizszolgálatot. Ha a lakás egy épület legfelsőbb emeleteinek egyikén található, lehetséges, hogy a csatorna-szellőző eltömődésének jelensége (szivornyahatás) lépett fel, ezért a mosógép folytonosan szívja és leereszti a vizet. Ezen kellemetlenség elkerülésére a kereskedelmi forgalomban rendelkezésre állnak csatorna-szellőző szelepek.

A mosógép nem ereszti le a vizet, vagy nem centrifugál.

- A program nem ereszti le a vizet: némelyik programnál manuálisan kell elindítani (lásd 18. oldal).
- Be van kapcsolva a Vasalj kevesebbet opció: a program befejezéséhez nyomja meg a START/RESET billentyűt (lásd 19. oldal).
- A leeresztőcső meg van törve (lásd 15. oldal).
- A lefolyó el van dugulva.

A mosógép nagyon rázkódik a centrifugálás alatt.

- Az üzembehelyezéskor nem távolították el a forgódob rögzítését (lásd 14. oldal).
- A mosógép nem áll vízszintben (lásd 14. oldal).
- A mosógép a bútor és a fal köté van szorítva (lásd 14. oldal).

A mosógépből elfolyik a víz.

- A vízbevezető cső nincs jól felcsavarva (lásd 14. oldal).
- A mosószeradagoló fiók eltömődött (a tisztítást lásd a 22. oldalon).
- A leeresztőcső nincs jól rögzítve (lásd 15. oldal).

Rendellenes működés esetén a hiba kódja jelenik meg, például: F-01

- Kapcsolja ki a készüléket és húzza ki a dugót a konnektorból, várjon körülbelül 1 percet, majd indítsa újra. Ha a hiba továbbra is fennáll, forduljon a szervizhez.

Sok hab képződik.

- A mosószer nem mosógépekhez való (kell, hogy szerepeljen rajta, hogy „gépi”, „kézi vagy gépi mosáshoz”, vagy hasonló).
- Túl sok mosószert használt.

HU

Üzembehelyezés

Leírás

Programok

Mosószeresek

Övintézkedések

Karbantartás

Rendellenességek

Szerviz

Mielőtt a Szervizhez fordulna:

- Győződjön meg arról, hogy a hibát nem tudja maga is elhárítani (*lásd 23. oldal*);
- Újból indítsa el a programot, hogy lássa, elhárította-e a hibát;
- Ellenkező esetben forduljon a megbízott Szakszervizhez: a telefonszámot a garanciajegyen találja.

! Soha ne forduljon nem megbízott szerelőhöz.

Közölje:

- a meghibásodás jellegét;
- a mosógép modelljét (Mod.);
- a gyártási számot (Sorsz.).

Ezen információk a mosógép hátsó részére felerősített táblán találhatóak.

CZ

Český

WITE 87

Obsah

Instalace, 26-27

Rozbalení a vyrovnání do vodorovné polohy, 26
Připojení k elektrické síti a k rozvodu vody, 26-27
První prací cyklus, 27
Technické údaje, 27

Popis pračky, 28-29

Ovládací panel, 28
Jak se otvírá a zavírá prací buben, 28
Displej, 29
Program "MEMO", 29

Uvedení do chodu a programy, 30

Ve zkratce: uvedení pracího programu do chodu, 30
Tabulka programů, 30

Nastavení činnosti dle potřeb uživatele, 31

Nastavení rychlosti odstředování, 31
Regulace odloženého startu (Delay Timer), 31
Nastavení teploty, 31
Funkce, 31

Prací prostředky a prádlo, 32

Dávkovač pracích prostředků, 32
Cyklus bělení, 32
Příprava prádla, 32
Oděvy vyžadující zvláštní péči, 32

Opatření a rady, 33

Základní bezpečnostní pokyny, 33
Likvidace, 33
Jak ušetřit a brát ohled na životní prostředí, 33

Údržba a péče, 34

Uzavření přívodu vody a
vypnutí elektrického napájení, 34
Čištění pračky, 34
Péče o dvířka a buben, 34
Čištění čerpadla, 34
Kontrola přítokové hadice, 34
Jak ušetřit a brát ohled na životní prostředí, 34

Poruchy a způsob jejich odstranění, 35

Servisní služba, 36

Před přivoláním servisní služby, 36

Instalace

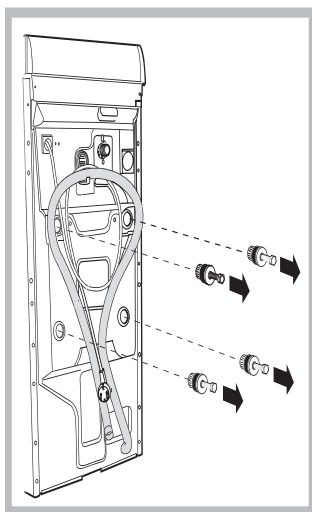
CZ

! Je velmi důležité uschovat tento návod za účelem jeho další konzultace. V případě prodeje, darování anebo přestěhování pračky se ujistěte, že zůstane uložen v blízkosti pračky, aby mohl posloužit novému majiteli při seznámení se s činností a s příslušnými upozorněními.

! Pozorně si přečtěte uvedené pokyny: obsahují důležité informace týkající se instalace, použití a bezpečnosti při práci.

Rozbalení a vyrovnaní do vodorovné polohy

Rozbalení



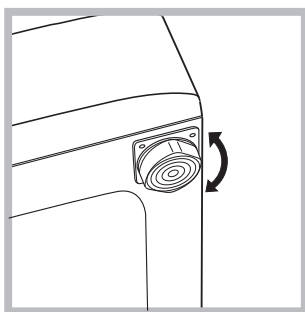
1. Rozbalte pračku.
2. Zkontrolujte, zda během přepravy nedošlo k jejímu poškození. V případě, že je poškozena, nezapojte ji a obraťte se na prodejce.
3. Odstraňte čtyři šrouby s gumovou podložkou a s příslušnou rozpěrkou, nacházející se v zadní části (viz obrázek), sloužící na ochranu během přepravy.

4. Uzavřete otvory po šroubech plastovými krytkami.
5. Uschovejte všechny díly: v případě opětovné přepravy pračky je bude třeba namontovat zpátky.

Upozornění: v případě opětovného použití musí být kratší šrouby použity na montáž v horní poloze.

! Obaly nejsou hračky pro děti

Vyrovnaní do vodorovné polohy

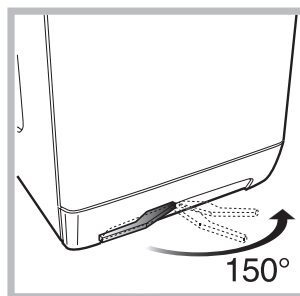


šroubováním předních nožek (viz obrázek). Úhel sklonu, naměřen na pracovní ploše, nesmí přesáhnout 2°.

1. Pračku je třeba umístit na rovnou a pevnou podlahu, bez toho, aby byla opřená o stěnu, nábytek anebo něco jiného.
2. V případě, když podlaha není dokonale vodorovná, mohou být případné rozdíly vykompenzovány

Dokonalé vyrovnaní do vodorovné polohy zabezpečí stabilitu zařízení a zamezí vzniku vibrací a hluku během činnosti. V případě instalace na podlahovou krytinu anebo na koberec, nastavte nožičky tak, aby pod pračkou zůstal dostatečný volný prostor pro ventilaci.

Umístění, přemísťování

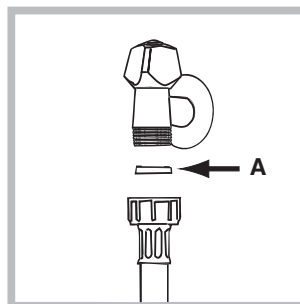


Je-li pračka vybavena speciálním podvozkiem se zasouvacími kolečky, lze ji lehce přemístit. Tento podvozek umožňující její přemístění bez vynaložení větší námahy se vysune zatažením za páku umístěnou vlevo dole.

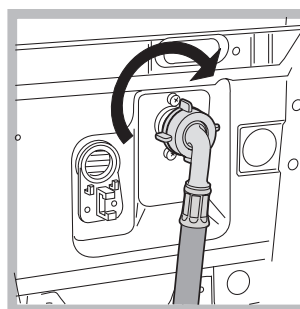
Po přemístění pračky vraťte páku do původní polohy. Stroj je pak pevně usazen na zvoleném místě. (Viz obrázek; pouze u některých modelů)

Připojení k elektrické síti a k rozvodu vody

Připojení přítokové hadice



1. Vložte těsnění A do koncové části přítokové hadice a připevněte ji k uzávěru studené vody se závitem 3/4" (viz obrázek). Před připojením hadice nechte vodu odtéci, dokud nebude průzračná.

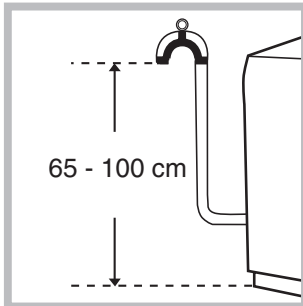


2. Připojte přítokovou hadici k pračce prostřednictvím příslušného vstupního hrdla, umístěného vpravo nahoře (viz obrázek).
3. Dbejte na to, aby hadice nebyla příliš ohnuta anebo stlačena.

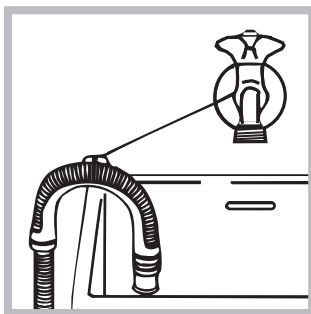
! Tlak v rozvodu vody se musí pohybovat v rozmezí hodnot uvedených v tabulce s technickými údaji (viz vedlejší strana).

! V případě, že délka přítokové hadice nebude dostatečná, obraťte se na specializovanou prodejnu anebo na autorizovaný technický personál.

Připojení odtokové hadice



Připojte vypouštěcí hadici, k odpadovému potrubí anebo k odpadu ve stěně, nacházejícímu se od 65 do 100 cm nad zemí; zamezte jejímu ohybu;



anebo ji zachyťte na okraj umývadla či vany, a připevněte ji ke kohoutku prostřednictvím držáku z příslušenství (viz obrázek). Volný konec vypouštěcí hadice nesmí zůstat ponořen do vody.

! Použití prodlužovacích hadic se nedoporučuje; je-li však nezbytné, prodlužování hadice musí mít stejný průměr jako originální hadice a její délka nesmí přesáhnout 150 cm.

Připojení k elektrické síti

Před zasunutím zástrčky do zásuvky se ujistěte, že:

- zásuvka je uzemněna a že vyhovuje normám;
- zásuvka je schopna snést maximální zátěž odpovídající jmenovitému příkonu zařízení, uvedenému v tabulce technickými údaji (viz vedle);
- hodnota napájecího napětí odpovídá údajům uvedeným v tabulce s technickými údaji (viz vedle);
- zásuvka je kompatibilní se zástrčkou pračky. V opačném případě je třeba vyměnit zástrčku.

! Pračka nesmí být umístěna venku – pod širým nebem, a to ani v případě, kdyby se jednalo o místo chráněné před nepřízní počasí, protože je velmi nebezpečné vystavit ji působení deště a bouři.

! Po definitivním umístění pračky musí zásuvka zůstat lehce přístupná.

! Nepoužívejte prodlužování kabely a rozvodky.

! Kabel nesmí být ohnut anebo stlačen.



! Výměna kabelu musí být svěřena výhradně autorizovanému technickému personálu.

Upozornění! Výrobce neponese žádnou odpovědnost za následky nerespektování uvedených předpisů.

První prací cyklus

Po nastavení pračky, před jejím použitím na praní prádla, je třeba provést jeden zkušební cyklus, s pracím prostředkem a bez náplně prádla, při teplotě 90°C, bez předpírání.

Technické údaje

Model	WITE 87
Rozměry	šířka 40 cm výška 85 cm hloubka 60 cm
Kapacita	od 1 do 5 kg
Napájení	napětí 220/230 V 50 Hz maximální příkon 1850 W
Připojení k rozvodu vody	maximální tlak 1 MPa (10 bar) minimální tlak 0.05 MPa (0.5 bar) kapacita bubny 42 litrů
Rychlost odstředování	až do 800 otáček za minutu
Kontrolní program podle normy IEC456	program 2; teplota 60°C; náplň 5 kg prádla.
 	Toto zařízení odpovídá následujícím normám Evropské unie: - 73/23/EHS z 19/02/73 (Nízké napětí) v platném znění - 89/336/EHS z 03/05/89 (Elektromagnetická kompatibilita) v platném znění - 2002/96/CE
Hlučnost (dB(A) re 1 pW)	Praní: 66 Odstředování: 77

R

Instalace

Popis

Prací programy

Prací prostředky

Opatření

Údržba

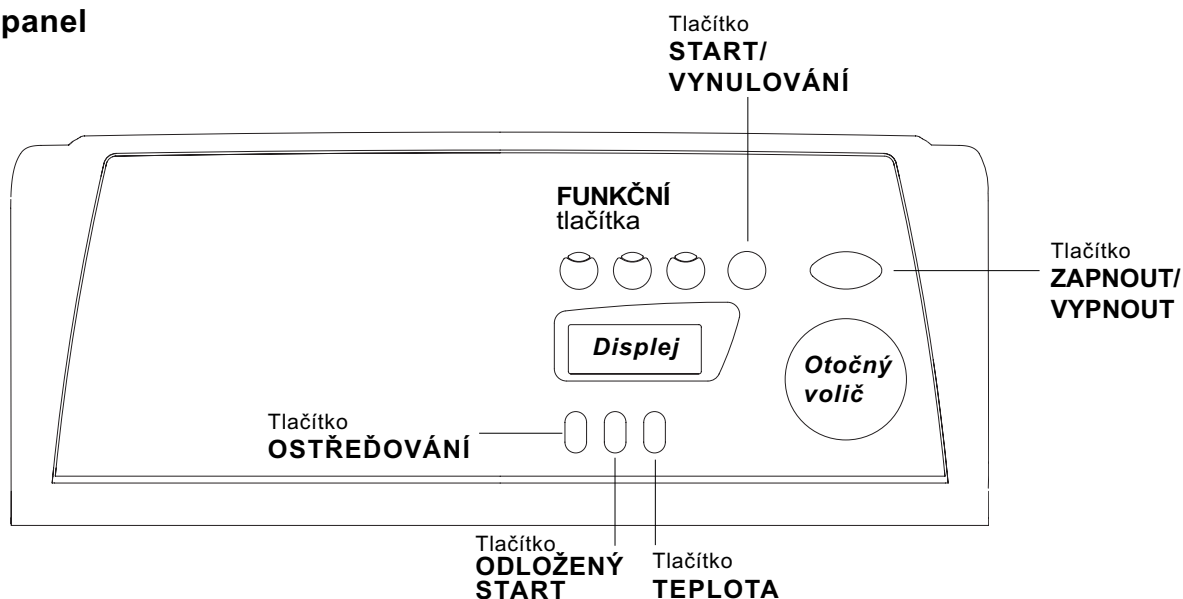
Poruchy

Serviceční služba

Popis pračky

CZ

Ovládací panel



Dávka vač pracích prostředků slouží k dávkování pracích prostředků a přídatných prostředků (viz str. 32).

Tlačítko **ODSTŘEĐOVÁNÍ** (*) slouží k nastavení rychlosti odstřeđování až po její úplné vyloučení (viz str. 31).

Tlačítko **ODLOŽENÝ START** pro odložení startu nastaveného programu o maximálně 24 hodin (viz str. 31).

Tlačítko **TEPLOTA** slouží ke změně nastavení teploty praní (viz str. 31).

Displej slouží k nastavení pracího programu a ke kontrole průběhu pracího cyklu (viz vedlejší strana).

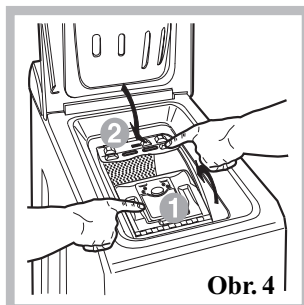
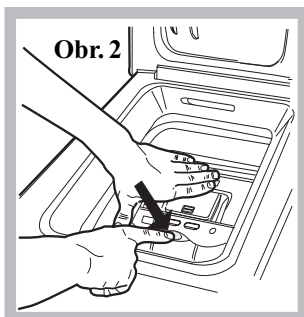
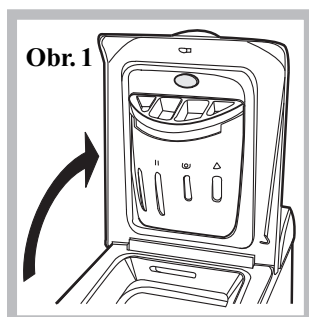
FUNKČNÍ tlačítka: slouží k volbě jednotlivých nabízených funkcí. Po uskutečnění volby jednotlivé funkce zůstane příslušné tlačítko podsvětleno.

Tlačítko **START/VYNULOVÁNÍ** slouží k uvedení pracích programů do chodu nebo k vynulování chybného nastavení.

Tlačítko **ZAPNOUT/VYPNOUT** slouží k zapnutí a vypnutí pračky.

Otočný volič slouží k volbě pracích programů. Během pracího programu zůstane stát ve stejné poloze.

Jak se otvírá a zavírá prací buben



A) OTEVÍRÁNÍ (Obr. 1): Nadzvedni vrchní kryt a kompletně ho otevři.

B) Otevři prací buben podle návodu na obrázku; použij přitom obě ruce (Obr. 2):

- stlač tlačítko označené na Obr.2 a zatlač ho lehce směrem dolů. Během tohoto úkonu opři druhou ruku o dvířka pracího bubnu, aby ti, při náhlém otevření, nestlačili prsty;
- doprovod uvolněné dvířka během jejich snadného otevření a uvolnění.

C) VKLÁDÁNÍ PRÁDLA (Obr. 3)

D) ZAVÍRÁNÍ (Obr. 4):

- dobře zavři prací buben a to tak že nejdříve spustíš přední a pak i zadní dvířka;
- zkontroluj, zdali došlo k dokonalému zasunutí úchytlů předních dvířek do jejich uložení v zadních dvířkách;
- po uslyšení zvuku provázejícího zachycení, zatlač zlehka směrem dolů nejdříve jedny a pak druhé dvířka, aby ses ujistil, zdali nedojde k jejich uvolnění;
- na závěr zavři vrchní kryt.

Displej

Kromě toho, že je velice užitečným nástrojem pro nastavení zařízení (viz str. 31), poskytuje displej informace o pracím cyklu.



Po stisknutí tlačítka START/VYNULOVÁNÍ pro spuštění nastaveného pracího programu, se na displeji objeví doba zbývající do konce pracího cyklu. V případě, že je nastaven čas odloženého startu (Odložený start, viz str. 31), dojde k jeho zobrazení.


Zablokovaná dvířka:


Rozsvícení uvedeného symbolu poukazuje na zablokování dvířek kvůli zabránění jejich náhodnému otevření. Aby se předešlo poškození dvířek, před jejich otevřením je třeba vyčkat na zhasnutí uvedeného symbolu.

Na závěr pracího programu dojde k zobrazení nápisu "End".

! V případě výskytu poruchy bude zobrazen chybový kód, například: F-01, (viz str. 35).

Program "MEMO"

Tento program umožňuje uložit do paměti nejoblíbenější anebo nejpoužívanější prací cyklus. K uložení programu do paměti postačí po jeho zahájení pootočit OTOČNÝ VOLIČ do polohy . Cyklus bude automaticky uložen do paměti a na displeji se zobrazí nápis „MEMO“, který bude blikat po dobu několika sekund.

Následně lze zahájit cyklus „MEMO“ jednoduše pootočením OTOČNÝ VOLIČ do polohy ; stisknutím příslušných tlačítek bude možné zobrazit a také měnit hodnoty teploty/odstředování/odloženého startu, ale tyto změny budou platit pouze pro probíhající program a nebudou uloženy do paměti v cyklu „MEMO“. Uložení nového pracího cyklu do paměti může být provedeno výše uvedeným způsobem.

(*)

Aby se zabránilo nadměrným vibracím, pracka před každým odstředováním rovnomerne rozloží náplň tak, že se bublen nepretržite otáčí rychlostí, která mírne prevyšuje rychlost použitou během pracího cyklu.

Když se ani po nekolika pokusech nepodarí dokonale rozložit náplň, pracka provede odstředování nižší rychlostí, než je predpokládaná rychlost.

V prípade nadmerného nevyváženía pracka provede rozloženie namiesto odstredovania.

Prípadné pokusy o vyváženía môžu predĺžiť celkovú dobu cyklu až o 10 minút.

Q

Instalace

Popis

Prací programy

Prací prostředky

Opatření

Údržba


Poruchy


Serviceční služba

Uvedení do chodu a programy





CZ

Ve zkratce: uvedení pracího programu do chodu

1. Zapněte pračku stisknutím tlačítka .
Na několik sekund se objeví všechny ikony, poté opět zmizí.
2. Naplňte pračku prádlem, naplňte dávkovač pracími a přídatnými prostředky (viz str. 32) a na závěr uzavřete dvířka bubny a víko.
3. Voličem programů nastavte požadovaný prací program. Na displeji bude uvedena přibližná doba praní. Teplota a odstředování budou nastaveny automaticky, na základě zvoleného pracího

- programu (jejich změna je možná - viz str. 30).
4. Naplňte dávkovač pracími a případně také přídatnými prostředky (viz str. 31).
 5. Uveďte nastavený prací program do chodu stisknutím tlačítka START/VYNULOVÁNÍ.
Vynulování nastaveného programu se vykonává stisknutím tlačítka START/VYNULOVÁNÍ na dobu nejméně 2 vteřin.
 6. Po ukončení pracího programu se objeví nápis „End“. Přibližně po uplynutí 3 minut zmizí symbol klíče a bude možné otevřít dvířka.
Vytáhněte prádlo a nechte dvířka pootevřená, aby bylo umožněno vysušení bubny.
 7. Vypněte pračku stisknutím tlačítka .

Tabulka programů

Druh tkaniny a stupeň jejího znečištění	Prací programy	Teplota	Prací prostředek		Aviváž	Volitelná funkce Odstranění skvrn / Bělící prostředek	Doba cyklu (v minutách)	Popis pracího cyklu
			předp.	praní				
Standardní								
Bavlna: Extrémně znečištěné bílé prádlo (prostěradla, ubrusy, atd.)	1	90°C	•	•	•		137	Předpírka, praní, máchání, průběžné a závěrečné odstředování
Bavlna: Extrémně znečištěné bílé prádlo (prostěradla, ubrusy, atd.)	2	90°C		•	•	Na choul. prádlo/ Tradiční	129	Praní, máchání, průběžné a závěrečné odstředování
Bavlna: Silně znečištěné bílé a barevné prádlo z odolných tkanin	2	60°C		•	•	Na choul. prádlo/ Tradiční	139	Praní, máchání, průběžné a závěrečné odstředování
Bavlna: Silně znečištěné bílé a barevné choulostivé prádlo	2	40°C		•	•	Na choul. prádlo/ Tradiční	131	Praní, máchání, průběžné a závěrečné odstředování
Bavlna: Částečně znečištěné bílé a barevné choulostivé prádlo (košile, trička, atd.)	3	40°C		•	•	Na choul. prádlo/ Tradiční	78	Praní, máchání, průběžné a závěrečné odstředování
Syntetika: Silně znečištěné prádlo z odolných barevných tkanin (kojenecké prádlo, atd.)	4	60°C		•	•	Na choul. prádlo	79	Praní, máchání, zabránění krčení anebo odstředování pro choulostivé prádlo
Syntetika: Silně znečištěné prádlo z odolných barevných tkanin (kojenecké prádlo, atd.)	4	40°C		•	•	Na choul. prádlo	65	Praní, máchání, zabránění krčení anebo odstředování pro choulostivé prádlo
Vlna	5	40°C		•	•		51	Praní, máchání, zabránění krčení a odstředování pro choulostivé prádlo
Prádlo z velice choulostivých tkanin (záclony, hedvábí, viskóza, atd.)	6	30°C		•	•		52	Praní, máchání, zabránění krčení anebo vypouštění vody
Time 4 you								
Bavlna: Silně znečištěné bílé a barevné prádlo z odolných tkanin	7	60°C		•	•		60	Praní, máchání, průběžné a závěrečné odstředování
Bavlna: Částečně znečištěné bílé a barevné choulostivé prádlo (košile, trička, atd.)	8	40°C		•	•		50	Praní, máchání, průběžné a závěrečné odstředování
Syntetika: Choulostivé barevné prádlo (lehce znečištěné prádlo všeho druhu)	9	40°C		•	•		40	Praní, máchání, odstředování pro choulostivé prádlo
Syntetika: Choulostivé barevné prádlo (lehce znečištěné prádlo všeho druhu)	10	30°C		•	•		30	Praní, máchání, odstředování pro choulostivé prádlo
Sport								
Sportovní obuv (MAX. 2 páry.)	11	30°C		•	•		50	Praní ve studené vodě (bez pracího prostředku), praní, máchání a odstředování pro choulostivé prádlo
Tkaniny pro sportovní oděv (teplákové soupravy, ponožky, atd.)	12	30°C		•	•		60	Praní, máchání, průběžné a závěrečné odstředování
MEMO		Slouží k uložení libovolného způsobu praní do paměti (viz str. 29).						
DÍLČÍ PROGRA-MY								
Máchání					•	Na choul. prádlo/ Tradiční		Máchání a odstředování
Odstředování								Vypouštění vody a odstředování
Vypouštění vody								Vypouštění vody

Poznámky

-Při programech 7 - 8 se doporučuje nepřekročit náplň pračky 3,5 kg.

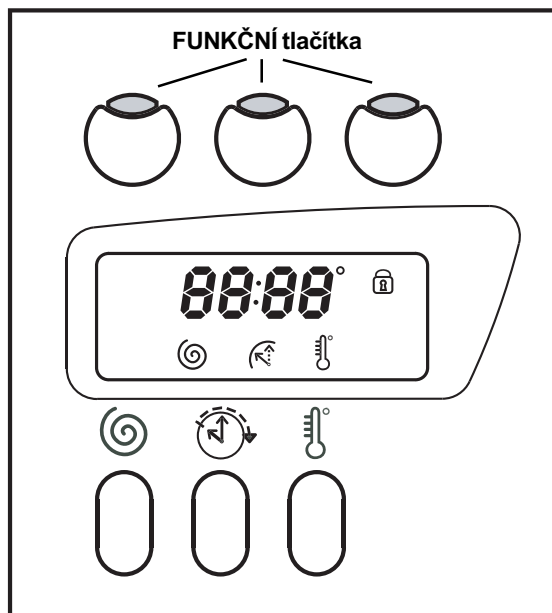
-Při programu 12 se doporučuje nepřekročit náplň pračky 2 kg.

-Popis ochrany před zmačkáním: viz Snadné žehlení, *na vedlejší straně*. Údaje uvedené v tabulce mají pouze informativní charakter.

Speciální program

Každodenní praní 30' (program 10 pro syntetiku) je navržen speciálně pro praní lehce znečištěného prádla během krátké doby: trvá pouze 30 minut a šetří tak energii a čas. Nastavením programu (10 při 30°C) je možné prát spolu prádlo různého druhu (s výjimkou vlny a hedvábí) s náplní nepřesahující 3 kg. *Doporučuje se použití tekutého pracího prostředku.*

Nastavení činnosti dle potřeb uživatele



Nastavení rychlosti odstředování

V případě, že se při zapnutí pračky nachází OTOČNÝ VOLIČ v poloze odpovídající programu, jehož součástí je i odstředování, ikona bude zobrazena, aniž by blikala. Po stisknutí tlačítka se zobrazí maximální možná rychlost odstředování pro nastavený program se současným blikáním ikony . Po dalším stisknutí uvedeného tlačítka dojde ke snížení rychlosti odstředování až na hodnotu OFF, označující vyloučení odstředování (návrat k vyšší hodnotě je možný po dalším stisknutí tlačítka). Po setrvání na požadované hodnotě dojde přibližně po 2 sekundách k jejímu akceptování. symbol zůstane zobrazen, aniž by blikal. Nastavení rychlosti odstředování je možné u všech pracích programů, s výjimkou programu 6 a vyčerpání vody.

Regulace odloženého startu (Delay Timer)

Po stisknutí tlačítka se na displeji zobrazí nápis OFF provázený blikáním příslušného symbolu.

Po dalším stisknutí uvedeného tlačítka se zobrazí „1h“ odpovídající odložení startu o jednu hodinu a tak dále až po hodnotu 24h. Po setrvání na požadované hodnotě „odložení“ dojde přibližně po 2 sekundách k jejímu akceptování. Následně

bude na displeji zobrazen čas zahájení nastaveného programu a symbol zůstane rozsvícen. Stisknutím tlačítka START/VYNULOVÁNÍ v této situaci se opětovně zobrazí zvolené „odložení“ startu, které bude postupně každou hodinu snižováno, a to až do zahájení cyklu. V této fázi lze změnit hodnotu „odložení“ pouze ve smyslu jejího snížení. Regulace odloženého startu (Delay Timer) je aktivní při všech programech.

Nastavení teploty

V případě, že se při zapnutí pračky nachází OTOČNÝ VOLIČ v poloze odpovídající programu, jehož součástí je i regulace teploty, ikona bude zobrazena, aniž by blikala. Po stisknutí tlačítka se zobrazí maximální možná teplota pro nastavený program se současným blikáním ikony . Po dalším stisknutí uvedeného tlačítka dojde ke snížení teploty až na hodnotu OFF, označující praní ve studené vodě (návrat k vyšší hodnotě je možný po dalším stisknutí tlačítka). Po setrvání na požadované hodnotě dojde přibližně po 2 sekundách k jejímu akceptování: symbol zůstane zobrazen, aniž by blikal. Nastavení teploty je možné u všech pracích programů.

Funkce

Jednotlivé funkce, kterými pračka disponuje umožňují dosáhnout požadovaný stupeň čistoty a bělosti praného prádla. Způsob aktivace jednotlivých funkcí:

1. stiskněte tlačítko příslušné požadované funkce podle níže uvedené tabulky;
2. podsvětlení příslušného tlačítka signalizuje, že došlo k aktivaci zvolené funkce.

Poznámka: Rychlé blikání tlačítka poukazuje na to, že příslušná funkce je nepoužitelná během nastaveného pracovního programu.

V případě, že bude zvolena funkce, která není kompatibilní s některou z předem zvolených funkcí, aktivována zůstane pouze poslední zvolená funkce.

Funkce	Efekt	Poznámky k použití	Aktivní při programech:
Odstranění skvrn	Bělicí cyklus vhodný na odstranění nejodolnějších skvrn.	Nezapomeňte na vložení bělicího prostředku do přídatné přihrádky 4 (viz str. 32). Není kompatibilní s použitím volitelné funkce SNADNÉ ŽEHLENÍ.	2, 3, 4, máchání.
Intenzivní máchání	Slouží ke zvýšení účinnosti máchání.	Její použití se doporučuje při zcela naplněné pračce anebo při použití velkého množství pracího prostředku.	1, 2, 3, 4, 7, 8, 9, 11, 12, máchání.
Snadné zehlení	Slouží ke snížení počtu záhybů na tkaninách, ulehčujících následné zehlení.	Po nastavení této funkce dojde k přerušení programů 4, 5, 6 s prádlem v bubnu bez vypuštění vody (ochrana před zmačkáním) provázenému blikáním příslušného tlačítka. - Ukončení cyklu se provádí stisknutím tlačítka START/VYNULOVÁNÍ anebo tlačítka SNADNÉ ŽEHLENÍ. - přejete-li si pouze vypustit vodu, nastavte otočný volič do polohy označené a stiskněte tlačítko START/VYNULOVÁNÍ. Není kompatibilní s použitím volitelné funkce ODSTRANĚNÍ SKVRN.	3, 4, 5, 6, 7, 8, 9, máchání.

2

Instalace

Popis

Prací programy

Prací prostředky

Opatření

Údržba

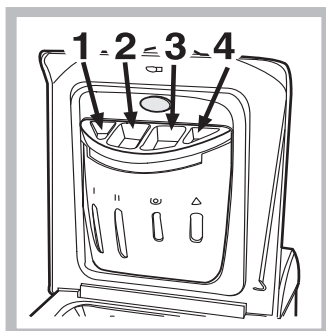
Poruchy

Service síť služba

Prací prostředky a prádlo

CZ

Dávkovač pracích prostředků



Dobrý výsledek praní závisí také na správném dávkování pracích prostředků: použití jejich nadměrného množství snižuje efektivitu praní a napomáhá tvorbě vodního kamene na vnitřních částech

pračky a znečištění životního prostředí.

Při vytažování dávkovače pracích prostředků a při jeho plnění pracími anebo přídatnými prostředky postupujte následovně:

příhrádka 1: Prací prostředek (práškový) pro předpírání

příhrádka 2: Prací prostředek (v prášku nebo tekutý)

Tekutý prací prostředek je vhodné nalít přímo do bubny do dávkovací kuličky.

příhrádka 3: Přídatné prostředky (aviváž atd.)

Při plnění oddílu 3 aviváží dávejte pozor, abyste nepřelili maximální přípustnou úroveň, označenou „max“.

Aviváž je automaticky přiváděna do pračky v průběhu posledního máchání. Na konci pracího programu zůstane v oddílu 3 zbytek vody. Tato voda slouží pro přívod velmi hustých prostředků nebo ke zředění koncentrovaných prostředků. V případě, že v oddílu 3 zůstane více vody než obvykle, znamená to, že je ucpaný vyprazdňovací mechanismus. Vyčištění mechanismu viz str. 34.



přídatná příhrádka 4: Bělící prostředek

! Nepoužívejte prací prostředky určené na ruční praní, protože způsobují tvorbu nadměrného množství pěny.

Cyklus bělení

Tradiční bělicí prostředek se používá pro odolné bílé prádlo, **jemný** pro barevné a syntetické prádlo a pro vlnu.

Při dávkování bělicího prostředku nepřekračujte „max“ označenou na přídatné příhrádce 4 (viz obrázek).

Přejete-li si provést samostatné bělení, nalijte bělicí prostředek do přídatné příhrádky 4, nastavte speciální program Máchání  a stiskněte funkční tlačítko  Odstranění skvrn.

Příprava prádla

- Roztříděte prádlo podle:
 - druhu tkaniny / symbolu na visačce.
 - barvy: oddělte barevné prádlo od bílého.
- Vyprázdněte kapsy a zkontrolujte knoflíky.
- Nepřekračujte povolenou náplň, vztahující se na hmotnost suchého prádla:
 - Odolné tkaniny: max. 5 kg
 - Syntetické tkaniny: max. 2.5 kg
 - Jemné tkaniny: max. 2 kg
 - Vlna: max. 1 kg

Kolik váží prádlo?

- 1 prostěradlo 400-500 g
- 1 povlak na polštář 150-500 g
- 1 ubrus 400-500 g
- 1 župan 900-1.200 g
- 1 ručník 150-250 g

Oděvy vyžadující zvláštní péči

Záclony: přehnout je a uložit dovnitř povlaku na polštář anebo do sáčku ze síťoviny. Je třeba je prát samostatně a nepřekročit přitom poloviční náplň. Na praní záclon použijte program 6, který automaticky vyloučí odstředování.

Prošívané kabáty a větrovky: je možné je prát v pračce v případě, že jsou plněny husím anebo kachním prachovým peřím. Jednotlivé kusy oděvu obraťte naruby, naplňte pračku náplní s hmotností nepřesahující 2-3 kg, zopakujte jeden anebo víckrát máchání a použijte jemné odstředování.

Tenisky: očistěte je od bahna. Můžete je prát spolu s džínami a prádlem z odolných tkanin, nemůžete je však prát spolu s bílým prádlem.

Vlna: abyste dosáhli nejlepších výsledků, je třeba použít specifický prací prostředek na praní vlny a nepřekročit 1 kg náplně.

! Pračka byla navržena a vyrobena v souladu s platnými mezinárodními bezpečnostními předpisy. Tato upozornění jsou uváděna z bezpečnostních důvodů a je třeba si je pozorně přečíst.

Základní bezpečnostní pokyny

- Pračku mohou používat pouze dospělé osoby, podle pokynů uvedených v tomto návodu.
- Nedotýkejte se zařízení bosí, anebo v případě, když máte mokré ruce anebo nohy.
- Nevytahujte zástrčku ze zásuvky tahem za kabel, ale uchopením za zástrčku.
- Neotvírejte dávkovač pracích prostředků během činnosti zařízení.
- Nedotýkejte se vyčerpávané vody, protože může mít velmi vysokou teplotu.
- Nepokoušejte se o násilné otevření dvířek: mohlo by dojít k poškození bezpečnostního uzávěru, který zabraňuje náhodnému otevření.
- Při výskytu poruchy se v žádné případě nepokoušejte o opravu vnitřních částí zařízení.
- Vždy mějte pod kontrolou děti a zabraňte jejich přiblížení se k pračce během pracího cyklu.
- Během pracího cyklu mají dvířka tendenci ohřát se.
- V případě potřeby přemíst'ujte pračku ve dvou nebo ve třech, a věnujte celé operaci zvláštní pozornost. Nikdy se nepokoušejte pračku přemíst'ovat sami, je totiž velmi těžká.
- Před zahájením vkládání prádla zkontrolujte, zda je buben prázdný.

Likvidace

- Likvidace obalových materiálů: při jejich odstranění postupujte v souladu s místními předpisy a dbejte na možnou recyklaci.
- **Likvidace starých elektrických zařízení**

Evropská směrnice 2002/96/EC o odpadních elektrických a elektronických zařízeních stanovuje, že staré domácí elektrické spotřebice nesmí být odkládány do běžného netříděného domovního odpadu. Staré spotřebice musí být odevzdány do odděleného sberu, a to za účelem recyklace a optimálního využití materiálu, které

obsahují, a z důvodu předcházení negativním dopadům na lidské zdraví a životní prostředí. Symbol "preškrtnuté popelnice" na výrobku vás upozorňuje na povinnost odevzdat zařízení po skončení jeho životnosti do odděleného sberu.

Spotřebitelé by měli kontaktovat příslušné místní úřady nebo svého prodejce ohledně informací týkajících se správné likvidace starého zařízení.

- Likvidace staré pračky: před její likvidací se postarejte o její znehodnocení, odstříhnutím přívodního kabelu a oddělením dvířek.

Jak ušetřit a brát ohled na životní prostředí

Technika ve službách životního prostředí

Vysvětlením toho, že uvnitř pračky je vidět málo vody, je skutečnost, že nový způsob praní Indesit umožňuje dokonale vyprat prádlo s použitím méně než polovičního množství vody: jedná se o dosažení vytyčeného cíle s ohledem na životní prostředí.

Šetření pracími prostředky, vodou, energií a časem

- Aby nedocházelo k plýtvání, je třeba používat pračku s plnou náplní. Jedna plná náplň, ve srovnání se dvěma polovičními, umožňuje ušetřit až 50% energie.
- Předpírání je potřebné pouze při praní silně znečištěného prádla. Prací program bez předpírání umožňuje ušetřit od 5 do 15% energie.
- Při aplikaci příslušného prostředku proti skvrnám anebo jejich namočením před zahájením praní, je možné vyhnout se praní při vysokých teplotách. Použití stejného pracího programu při teplotě 60°C namísto 90°C anebo 40°C namísto 60°C, umožňuje ušetřit až 50% energie.
- Správné dávkování pracího prostředku, s ohledem na tvrdost vody, stupeň znečištění a množství praného prádla zabraňuje plýtvání a chrání životní prostředí: i když se jedná o biodegradabilní látky, prací prostředky narušují přirozenou rovnováhu v přírodě. Dále se je třeba, dle možností, vyhnout použití aviváže.
- Praní v podvečer nebo brzy ráno napomáhá nižší zátěži firem, zabývajících se výrobou energie. Volitelná funkce odložený start (viz str. 43) značně napomáhá organizaci praní právě na základě uvedených pravidel.
- V případě, že prádlo má být vysušeno v sušičce, zvolte vysokou rychlost odstředování. Malé množství vody umožňuje šetřit čas a energii během sušícího programu.

CZ

Instalace

Popis

Prací programy

Prací prostředky

Opatření

Údržba

Poruchy

Servicejní služba

Údržba a péče

CZ

Uzavření přívodu vody a vypnutí elektrického napájení

- Po každém praní uzavřete přívod vody. Tímto způsobem dochází k omezení opotřebení pračky a ke snížení nebezpečí úniku vody.
- Před zahájením čištění pračky a během operací údržby je třeba vytáhnout zástrčku přívodního kabelu ze zásuvky.

Čištění pračky

Vnější části a části z gumy mohou být čištěny hadrem navlhčeným ve vlažné vodě a saponátu. Nepoužívejte rozpouštědla anebo brusné prostředky.

Čištění dávkovače pracích prostředků

Vytáhněte dávkovač jeho nadzvednutím a vytáhnutím směrem ven (viz obrázek). Umyjte ho pod proudem vody; tento druh vyčištění je třeba vykonávat pravidelně.

Péče o dvířka a buben

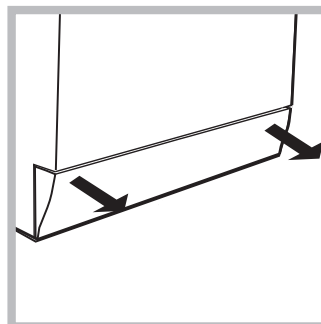
- Dvířka ponechte po každé pootevřeny, aby se zabránilo tvorbě nepříjemných zápachů.

Čištění čerpadla

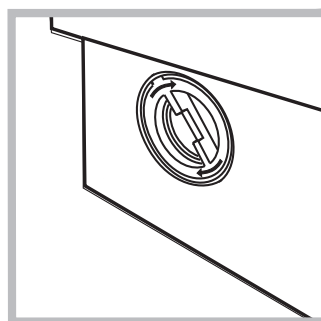
Součástí pračky je samočisticí čerpadlo, která nevyžaduje zvláštní péči. Může se však stát, že se v jeho vstupní části, určené na jeho ochranu, a nacházející se v jeho spodní části, zachytí drobné předměty (mince, knoflíky).

! Ujistěte se, že prací cyklus byl ukončen a vytáhněte zástrčku ze zásuvky.

K znovuzískání případných předmětů spadlých do vstupní části:



1. tahem rukou směrem od bočnic sundat podložku dolů na zadní stranu pračky (viz obrázek);
2. odšroubujte vrchní kryt otáčením proti směru hodinových ručiček (viz obrázek): vytečení malého množství vody je zcela běžným jevem;
3. dokonale vyčistěte vnitřek vstupní části čerpadla;
4. nasadte zpátky vrchní kryt;
5. namontujte zpátky krycí panel, přičemž se, před jeho přisunutím k pračce ujistěte, že došlo k správnému zachycení háčků do příslušných otvorů.



Kontrola přítokové hadice

Stav přítokové hadice je třeba zkontrolovat alespoň jednou ročně. Jsou-li na ní viditelné praskliny anebo trhliny, je třeba ji vyměnit: silný tlak působící na hadici během pracího cyklu by mohl způsobit její náhlé roztrhnutí.

! Nikdy nepoužívejte již použité hadice.

Jak se čistí dávkovač pracích prostředků

Demontáž:

Zlehka zatlačit na velké tlačítko nacházející se ve přední části dávkovače pracích prostředků a vytáhnout ho směrem nahoru (obr. 1).

Čištění:

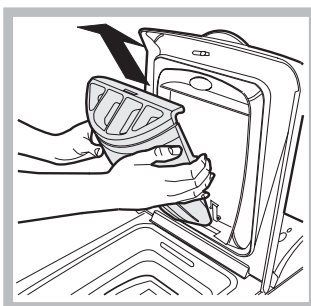
Očistit dávkovač pod kohoutkem (obr.3) s tekoucí vodou pomocí starého zubního kartáčku a, po vytažení páru sifonů uložených v horní části přihrádek 1 a 2 (obr. 4) zkontrolovat, nejsou-li ucpány a omýt je pod vodou.

Zpětná montáž:

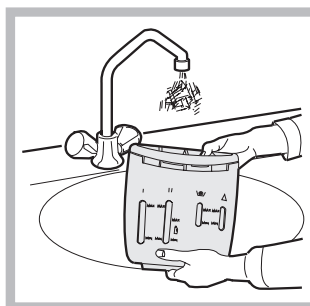
Nezapomeň vložit na původní místo sifony a pak vlož i dávkovač (obr. 4, 2, 1).



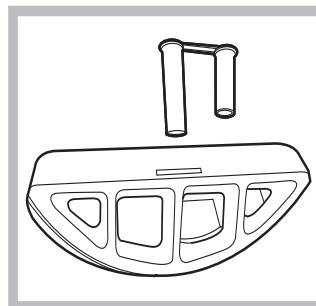
Obr. 1



Obr. 2



Obr. 3



Obr. 4

Poruchy a způsob jejich odstranění

Může se stát, že pračka nebude fungovat. Před telefonickým kontaktováním servisní služby (viz str. 36), zkontrolujte prostřednictvím následujícího seznamu, zda se nejedná o jednoduše odstranitelný problém.

Poruchy:

Možné příčiny / Způsob jejich odstranění:

Pračku nelze zapnout.

- Zástrčka není zasunuta v zásuvce, anebo ne natolik, aby došlo ke spojení kontaktů.
- V celém domě je vypnut proud.

Nedochází k zahájení pracího cyklu.

- Dvířka nejsou správně zavřena (na displeji je zobrazen nápis "Door").
- Nebylo stisknuto tlačítko (I).
- Nebylo stisknuto tlačítko START/VYNULOVÁNÍ.
- Nebyl otevřen kohoutek přívodu vody.
- Byl nastaven odložený start (Odložený start, viz str. 31).

Nedochází k napouštění vody do pračky (na displeji je zobrazen nápis H₂O).

- Přívodní hadice není připojena k vodovodnímu kohoutku.
- Přívodní hadice je příliš ohnuta.
- Nebyl otevřen kohoutek přívodu vody.
- V celém domě je uzavřen přívod vody.
- V rozvodu vody není dostatečný tlak.
- Nebylo stisknuto tlačítko START/VYNULOVÁNÍ.

Dochází k nepřetržitému napouštění a vyčerpávání vody.

- Ústí vypouštěcí hadice se nachází mimo určené rozmezí od 65 do 100 cm nad zemí (viz str. 27).
- Koncová část vypouštěcí hadice je ponořena ve vodě (viz str. 27).
- Odpad ve stěně není vybaven odvzdušňovacím otvorem.

Když ani po uvedených kontrolách nedojde k odstranění problému, uzavřete přívod vody, vypněte pračku a přivolejte servisní službu. V případě, že se byt nachází na jednom z nejvyšších poschodí, je možné, že dochází k sifonovému efektu, jehož následkem pračka nepřetržitě napouští a odčerpává vodu. Na odstranění uvedeného efektu jsou v prodeji běžně dostupné speciální protisifonové ventily.

Nedochází k vyčerpání vody anebo k odstředování.

- Odčerpání vody netvoří součást nastaveného programu: u některých programů je potřebné jeho manuální uvedení do činnosti (viz str. 30).
- Byla aktivována volitelná funkce Snadné žehlení: dokončení pracího cyklu je možné po stisknutí tlačítka START/VYNULOVÁNÍ (viz str. 31).
- Vypouštěcí hadice je příliš ohnuta (viz str. 27).
- Odpadové potrubí je ucpáno.

Během odstředování je možné pozorovat silné vibrace.

- Během instalace nebyl buben odjištěn předepsaným způsobem (viz str. 26).
- Pračka není vyrovnána do vodorovné polohy (viz str. 26).
- Pračka je namáčknuta mezi nábytkem a stěnou (viz str. 26).

Dochází k úniku vody z pračky.

- Přívodní hadice není správně připojena (viz str. 26).
- Dávkač pracích prostředků je ucpán (způsob jeho vyčištění – viz str. 34).
- Vypouštěcí hadice není upevněna předepsaným způsobem (viz str. 27).

V případě výskytu poruchy bude zobrazen chybový kód, například: F-01

- Vypněte zařízení a vytáhněte zástrčku ze zásuvky, vyčkejte 1 minutu a zařízení znovu zapněte. Když porucha přetrvává, obraťte se na servisní službu.

Dochází k tvorbě nadměrného množství pěny.

- Použitý prací prostředek není vhodný pro použití v automatické pračce (musí obsahovat označení „pro praní v pračce“, „pro praní v rukou nebo v pračce“ anebo podobné označení).
- Bylo použito nadměrné množství pracích prostředků.

CZ

Instalace

Popis

Prací programy

Prací prostředky

Opatření

Údržba

Poruchy

Servisní služba

Servisní služba

CZ

Před přivoláním servisní služby:

- Zkontrolujte, zda nejste schopni poruchu odstranit sami (*viz str. 35*);
- Opětovně uveďte do chodu prací program, s cílem ověřit, zda byla porucha odstraněna;
- V opačném případě se obraťte na autorizované centrum servisní služby, na telefonním čísle uvedeném na záručním listě.

! Nikdy se neobracejte se žádostí o pomoc na techniky, kteří nejsou na vykonávání této činnosti oprávněni.

Při hlášení poruchy uveďte:

- druh poruchy;
- model pračky (Mod.);
- výrobní číslo (S/N).

tyto informace jsou uvedeny na typovém štítku, nacházejícím se na zadní straně pračky.

SK

Slovenský

WITE 87

Obsah

Inštalácia, 38-39

Rozbalenie a vyrovnanie do vodorovnej polohy, 38
Pripojenie k elektrickej sieti a k rozvodu vody, 38-39
Prvý prací cyklus, 39
Technické údaje, 39

Popis práčky, 40-41

Ovládací panel, 40
Ako sa otvára a zatvára prací bubon, 41
Displej, 41
Program "MEMO", 41

Uvedenie do chodu a programu, 42

V skratke: uvedenie pracieho programu do chodu, 42
Tabuľka programov, 42

Nastavenie činnosti podľa potrieb užívateľa, 43

Nastavenie rýchlosti odstreďovania, 43
Regulácia odloženého štartu (Delay Timer), 43
Nastavenie teploty, 43
Funkcie, 43

Pracie prostriedky a bielizeň, 44

Dávkovač pracích prostriedkov, 44
Bieliaci cyklus, 44
Príprava bielizne, 44
Odevy vyžadujúce špeciálnu starostlivosť, 44

Opatrenia a rady, 45

Základné bezpečnostné pokyny, 45
Likvidácia, 45
Ako ušetriť a brať ohľad na životné prostredie, 45

Údržba a starostlivosť, 46

Zatvorenie prívodu vody a vypnutie elektrického napájania, 46
Čistenie práčky, 46
Starostlivosť o dvierka a bubon, 46
Čistenie čerpadla, 46
Kontrola prítokovej hadice, 46
Ako sa čistí dávkovač pracích prostriedkov, 46

Poruchy a spôsob ich odstránenia, 47

Servisná služba, 48

Pred privolaním servisnej služby, 48

Inštalácia

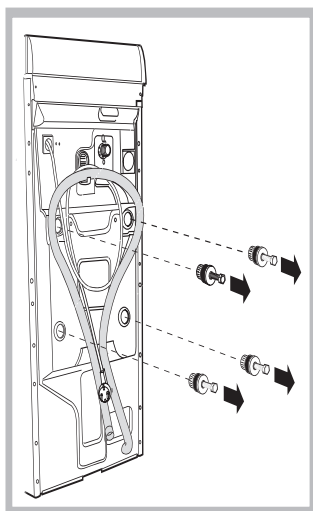
SK

! Je veľmi dôležité uschovať tento návod za účelom jeho ďalšej konzultácie. V prípade predaja, darovania alebo presťahovania práčky sa uistite, že zostane uložený v blízkosti práčky, aby mohol posлúžiť novému majiteľovi pri zoznámení sa s činnosťou a s príslušnými upozorneniami.

! Pozorne si prečítajte uvedené pokyny: obsahujú dôležité informácie týkajúce sa inštalácie, použitia a bezpečnosti pri práci.

Rozbalenie a vyrovnanie do vodorovnej polohy

Rozbalenie



1. Rozbaľte práčku.
2. Skontrolujte, či počas prepravy nedošlo k jej poškodeniu. V prípade, že je poškodená, nezapájajte ju a obráťte sa na predajcu.
3. Odstráňte štyri skrutky s gumovou podložkou a s príslušným dištančným krúžkom, nachádzajúce sa v zadnej časti (viď obrázok), slúžiace na ochranu počas prepravy.

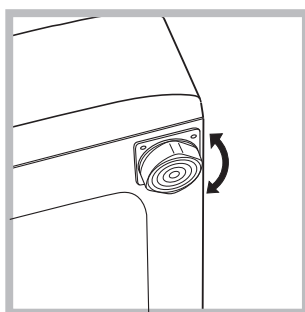
4. Uzatvorte otvory po skrutkách plastovými zátkami.

5. Uschovajte všetky diely: v prípade opätovnej prepravy práčky ich bude treba namontovať späť.

Upozornenie: pri opätovnom použití musia byť kratšie skrutky použité na montáž v hornej polohe.

! Obaly nie sú hračkami pre deti

Vyrovnanie do vodorovnej polohy



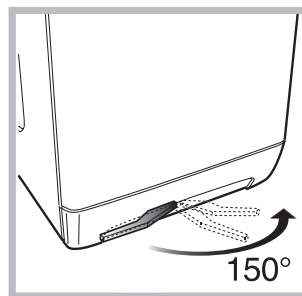
1. Práčku je potrebné umiestniť na rovnú a pevnú podlahu, bez toho, že by bola opretá o stenu, nábytok alebo niečo iné.

2. V prípade, keď podlaha nie je dokonale vodorovná, môžu byť prípadné rozdiely vykompenzované

odkrútením alebo zakrútením predných nožičiek (viď obrázok). Uhol sklonu, nameraný na pracovnej ploche, nesmie presiahnuť 2°.

Dokonalé vyrovnanie do vodorovnej polohy zabezpečí stabilitu zariadenia a zamedzí vzniku vibrácií a hluku počas činnosti. V prípade inštalácie na podlahovú krytinu alebo na koberec, nastavte nožičky tak, aby pod práčkou zostal dostatok voľného priestoru na ventiláciu.

Inštalácia, premiestnenie

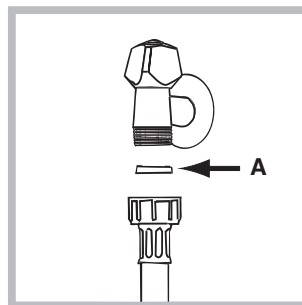


Ak je vaša práčka vybavená špeciálnym podvozkom so zasúvacími kolieskami, bude jej prípadné premiestňovanie ľahšie. Tento podvozok, umožňujúci jej premiestnenie bez vynaloženia väčšej

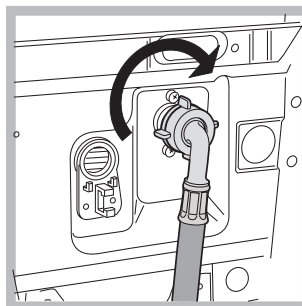
námahe, vysuniete zatiahnutím za páku, ktorá sa nachádza v ľavej dolnej časti pod soklom. Po premiestnení práčky vráťte túto páku do pôvodnej polohy. Takto bude stroj pevne usadený na zvolenom mieste (viď. obrázok).

Pripojenie k elektrickej sieti a k rozvodu vody

Pripojenie prítokovej hadice



1. Vložte tesnenie A do koncovej časti prítokovej hadice a pripevnite ju k uzáveru studenej vody so závitom 3/4" (viď obrázok). Pred pripojením hadice nechajte vodu odtiecť, až kým nebude priezračná.



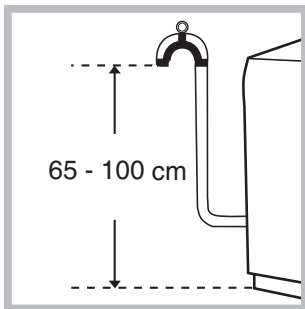
2. Pripojte prítokovú hadicu k práčke prostredníctvom príslušného vstupného hrdla, situovaného vpravo hore (viď obrázok).

3. Dbajte na to, aby hadica nebola príliš ohnutá alebo stlačená.

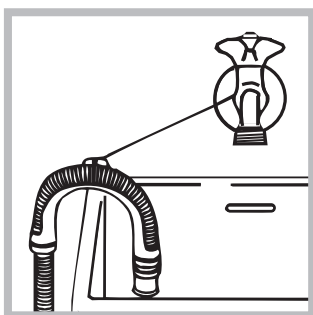
! Tlak v rozvode vody sa musí pohybovať v rozmedzí hodnôt uvedených v tabuľke s technickými údajmi (viď vedľajšia strana).

! V prípade, že dĺžka prítokovej hadice nebude dostatočná, obráťte sa na špecializovanú predajňu alebo na autorizovaný technický personál.

Pripojenie odtokovej hadice



Pripojte vypúšťaciu hadicu, bez toho, že by došlo k jej ohnutiu, k odpadovému potrubiu alebo k odpadu v stene, nachádzajúcemu sa od 65 do 100 cm nad zemou;



alebo ju zachyťte na okraj umývadla alebo vane, a pripevnite ju ku kohútiku prostredníctvom držiaku z príslušenstva (vid' obrázok). Voľný koniec vypúšťacej hadice nesmie zostať ponorený do vody.

! Použitie predlžovacích hadíc sa nedoporučuje; ak je však nevyhnutné, predlžovacia hadica musí mať rovnaký priemer ako originálna hadica a jej dĺžka nesmie presiahnuť 150 cm.

Pripojenie k elektrickej sieti

Pred zasunutím zástrčky do zásuvky sa uistite, že:

- zásuvka je uzemnená, a že vyhovuje zákonným predpisom;
- zásuvka je schopná uniesť maximálnu záťaž odpovedajúcu menovitému príkonu zariadenia, uvedenému v tabuľke s technickými údajmi (vid' vedľa);
- hodnota napájacieho napätia odpovedá údajom uvedeným v tabuľke s technickými údajmi (vid' vedľa);
- zásuvka je kompatibilná so zástrčkou práčky. V opačnom prípade je potrebné vymeniť zástrčku.

! Práčka nesmie byť umiestnená vonku – pod holým nebom, a to ani v prípade, keby sa jednalo o miesto chránené pred poveternostnými vplyvmi, pretože je veľmi nebezpečné vystaviť ju pôsobeniu dažďa a búrok.

! Po definitívnom umiestnení práčky musí zásuvka zostať jednoducho prístupná.

! Nepoužívajte predlžovacie káble a rozvodky.

! Kábel nesmie byť ohnutý alebo stlačený.


! Výmena kábla musí byť vykonaná výhradne autorizovaným technickým personálom.

Upozornenie! Výrobca neponesie žiadnu zodpovednosť za následky nerešpektovania uvedených predpisov.

Prvý prací cyklus

Po nastavení práčky, pred jej použitím na pranie bielizne, je potrebné vykonať jeden skúšobný cyklus, s pracím prostriedkom a bez náplne bielizne, pri teplote 90°C, bez predpierania.

Technické údaje

Model	WITE 87
Rozmery	šírka 40 cm výška 85 cm hĺbka 60 cm
Kapacita	od 1 do 5 kg
Elektrické zapojenie	napätie 220/230 V 50 Hz maximálny príkon 1850 W
Pripojenie k rozvodu vody	maximálny tlak 1 MPa (10 bar) maximálny tlak 0,05 MPa (0.5 bar) kapacita bubna 42 litrov
Rýchlosť odstred'ovania	až do 800 otáčok za minútu
Kontrolný program podľa normy IEC456	program 2; teplota 60°C; náplň 5 kg prádla.
	Toto zariadenie je v zhode s nasledujúcimi smernicami Európskej únie: - 73/23/EHS z 19/02/73 (Nízke napätie) v platnom znení - 89/336/EHS z 03/05/89 (Elektromagnetická kompatibilita) v platnom znení - 2002/96/CE
Hlučnosť* (dB(A) re 1 pW)	Pranie: 66 Odstred'ovanie: 77

SK

Inštalácia

Popis

Pracíe programy

Pracíe prostriedky

Opatrenia

Údržba

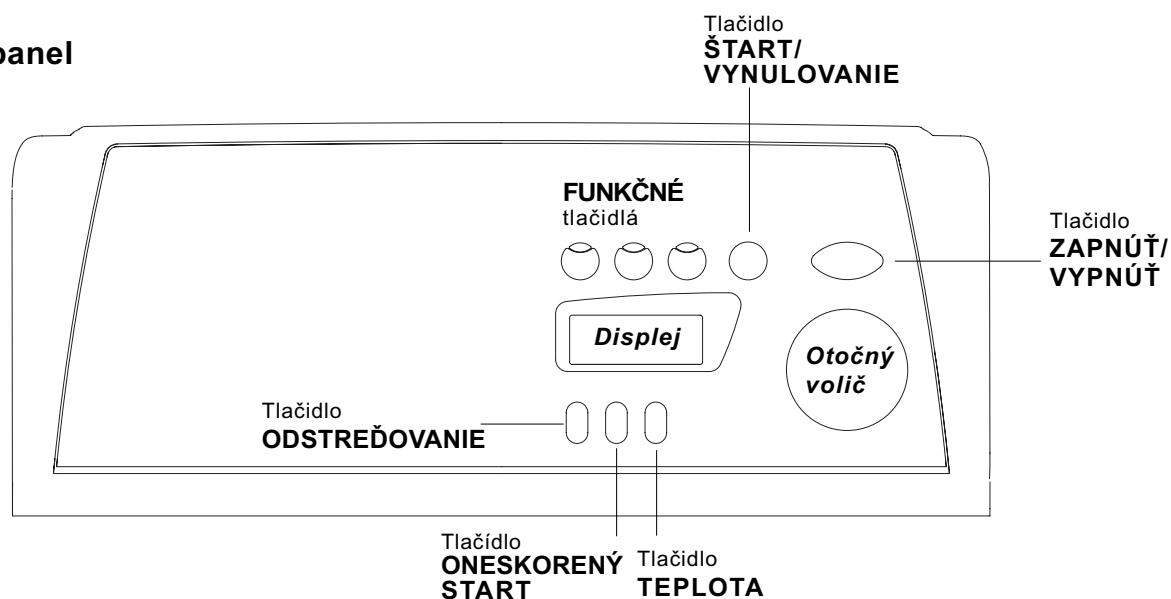
Poruchy

Servicečná služba

Popis práčky

SK

Ovládací panel



Dávkovač pracích prostriedkov slúži na dávkovanie pracích prostriedkov a prídavných prostriedkov (viď str. 44).

Tlačidlo **ODSTREĎOVANIE** (*) slúži na nastavenie rýchlosti odstreďovania až po jeho úplné vylúčenie (viď str. 43).

Tlačidlo **ONESKORENÝ START** na odloženie štartu nastaveného programu maximálne o 24 hodín (viď str. 43).

Tlačidlo **TEPLOTA** slúži na zmenu nastavenia teploty prania (viď str. 43).

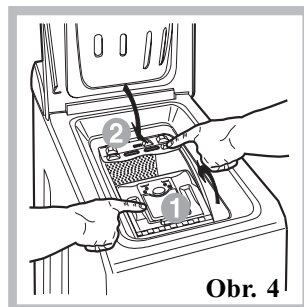
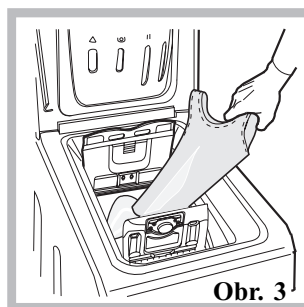
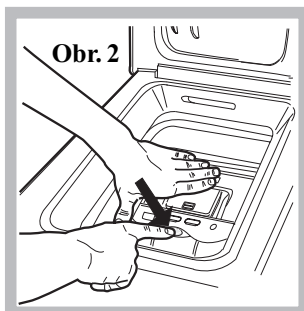
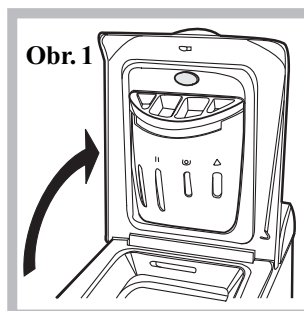
Displej slúži na nastavenie pracieho programu a na kontrolu priebehu pracieho cyklu (viď vedľajšia strana).

FUNKČNÉ tlačidlá: slúžia na voľbu jednotlivých ponúknutých funkcií. Po uskutočnení voľby jednotlivé funkcie zostane príslušné tlačidlo podsvietené. Tlačidlo **ŠTART/VYNULOVANIE** slúži na uvedenie pracích programov do chodu alebo na vynulovanie chybného nastavenia.

Tlačidlo **ZAPNÚŤ/VYPNÚŤ** slúži na zapnutie a vypnutie práčky.

Otočný volič slúži na voľbu pracích programov. Počas pracieho programu zostane stáť v rovnakej polohe.

Ako sa otvára a zatvára prací bubon



A) OTVÁRANIE (obr. 1):

Zdvihnute hornú dosku a úplne ju otvorte.

B) Otvorte prací bubon podľa návodu na obrázku; pritom použite obe ruky (obr. 2):

- tlačidlo označené na obr.2 zatlačte ľahko smerom dole. Počas tohto úkonu oprite druhú ruku o dverka pracieho bubna tak, aby sa vám pri náhlom otvorení nezachytili prsty;
- rukami doprevádzajte uvoľnená dverka počas ich otvárania.

C) VKLADANIE BIELIZNE (obr. 3)

D) ZAVIERANIE (obr. 4):

- Prací bubon dobre zavriete tak, že najskôr spustíte predné a potomaj zadné dverka;
- skontrolujte či sú úchytky predných dvierok dokonale zasunuté do príslušných otvorov v zadných dvierkach;
- po zacvaknutí najprv zľahka zatlačte smerom dole prvé a potom druhé dverka, aby ste sa uistili, že nedôjde k ich uvoľneniu;
- nakoniec zavriete hornú dosku.

Displej

Okrem toho, že je veľmi užitočným nástrojom pre nastavenie zariadenia (vid' str. 43), displej poskytuje aj informácie o pracovnom cykle.



Po stlačení tlačidla ŠTART/VYNULOVANIE za účelom uvedenia nastaveného pracovného programu do chodu, sa na displeji objaví doba ostávajúca do konca pracovného cyklu. V prípade, že je nastavený čas oneskoreného štartu (Oneskorený štart, vid' str. 43), dôjde k jeho zastaveniu.

Zablokované dvierka


Rozsvietenie uvedeného symbolu poukazuje na zablokovanie dvierok kvôli zabráneniu ich náhodnému otvoreniu. Aby sa predišlo poškodeniu dvierok, pred ich otvorením je treba vyčekať na zhasnutie uvedeného symbolu.


Na záver pracovného cyklu dôjde k zobrazeniu nápisu End.

! V prípade výskytu poruchy bude zobrazený chybový kód, napríklad: F-01, (vid' str. 48).

Program "MEMO"

Tento program umožňuje uložiť do pamäte najobľúbenejší alebo najpoužívanejší pracovný cyklus.

Na uloženie programu do pamäte je postačujúce po jeho zahájení pootočiť OTOČNÝ VOLIČ do polohy . Cyklus bude automaticky uložený do pamäte a na displeji sa zobrazí nápis "MEMO" a bude blikať po dobu niekoľkých sekúnd.

Následne je možné zahájiť cyklus "MEMO" jednoduchým pootočením OTOČNÝ VOLIČ do polohy ; hodnoty teploty/odstreďovania/odloženého štartu bude možné stlačením príslušných tlačidiel zobraziť a tiež meniť, ale tieto zmeny budú platné len pre prebiehajúci program a nebudú uložené do pamäte v cykle "MEMO".

Uloženie nového pracovného cyklu do pamäte môže byť vykonané vyššie uvedeným spôsobom.

(*)

Aby sa zabránilo nadmerným vibráciám, práčka pred každým odstreďovaním rovnomerne rozloží náplň tak, že sa bude nepretržite otáčať rýchlosťou, ktorá mierne prevyšuje rýchlosť použitú počas pracovného cyklu.

Keď sa ani po niekoľkých pokusoch nepodarí dokonale rozložiť náplň, práčka vykoná odstreďovanie nižšou rýchlosťou, ako je predpokladaná rýchlosť.

V prípade nadmerného nevyváženia práčka vykoná rozloženie namiesto odstreďovania.

Prípadné pokusy o vyváženie môžu predĺžiť celkovú dobu cyklu maximálne o 10 minút.

SK

Inštalácia

Popis

Pracovné programy

Pracovné prostriedky

Opatrenia

Údržba


Poruchy

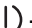
Servicečná služba

Uvedenie do chodu a programy





SK

V skratke: uvedenie pracieho programu do chodu

1. Zapnite práčku stlačením tlačidla .
2. Naplňte práčku prádlom a dávkovač pracími a prídavnými prostriedkami (vid' str. 44) a potom zatvorte dvierka a kryt
3. Voličom programov nastavte požadovaný prací program. Na displeji bude uvedená približná doba prania. Teplota a odstreďovanie budú nastavené automaticky, na základe zvoleného pracieho programu (ich zmena je možná - vid' str. 43).

4. Zvoliť prípadné voliteľné funkcie (vid' str. 43).
5. Uvedte nastavený prací program do chodu stlačením tlačidla ŠTART/VYNULOVANIE. Vynulovanie nastaveného programu sa vykonáva stlačením tlačidla ŠTART/VYNULOVANIE na dobu najmenej 2 sekúnd.
6. Po ukončení pracieho programu sa objaví nápis "End". Vyberte prádlo a nechajte potvorené dvierka, aby mohlo dôjsť k vysušeniu bubna.
7. Vypnite práčku stlačením tlačidla .

Tabuľka programov

Druh tkaniny a stupeň jej znečistenia	Pracie progr.	Teplota	Prací prostriedok		Aviváž	Voliteľná funkcia Belenie / Bieliaci prostriedok	Doby cyklov (v minútach)	Popis pracieho cyklu
			na predpr.	na pranie				
Štandard-ný								
Bavlna: Extrémne znečistené biele prádlo (plachty, obrusy, atď.)	1	90°C	•	•	•		137	Predpranie, pranie pláchanie, priebežné a záverečné odstreďovanie
Bavlna: Extrémne znečistené biele prádlo (plachty, obrusy, atď.)	2	90°C		•	•	Na chúl. prádlo/Tradičný	129	Pranie pláchanie, priebežné a záverečné odstreďovanie
Bavlna: Silne znečistené biele a farebné prádlo z odolných tkanín	2	60°C		•	•	Na chúl. prádlo/Tradičný	139	Pranie pláchanie, priebežné a záverečné odstreďovanie
Bavlna: Silne znečistené biele a farebné chúlolistivé prádlo	2	40°C		•	•	Na chúl. prádlo/Tradičný	131	Pranie pláchanie, priebežné a záverečné odstreďovanie
Bavlna: Čiastočne znečistené biele a farebné jemné prádlo (košeľe, trička, atď.)	3	40°C		•	•	Na chúl. prádlo/Tradičný	78	Pranie pláchanie, priebežné a záverečné odstreďovanie
Syntetika: Silne znečistené prádlo z odolných farebných tkanín (kojenecké prádlo, atď.)	4	60°C		•	•	Na chúl. prádlo	79	Pranie, pláchanie, zabránenie krčeniu alebo odstreďovanie pre chúlolistivé prádlo
Syntetika: Silne znečistené prádlo z odolných farebných tkanín (kojenecké prádlo, atď.)	4	40°C		•	•	Na chúl. prádlo	65	Pranie, pláchanie, zabránenie krčeniu alebo odstreďovanie pre chúlolistivé prádlo
Vlna	5	40°C		•	•		51	Pranie, pláchanie, zabránenie krčeniu a odstreďovanie pre chúlolistivé prádlo
Prádlo z veľmi jemných tkanín (záclony, hodváb, viskóza, atď.)	6	30°C		•	•		52	Pranie, pláchanie, zabránenie krčeniu alebo vypúšťanie vody
Time 4 you								
Bavlna: Silne znečistené biele a farebné prádlo z odolných tkanín	7	60°C		•	•		60	Pranie pláchanie, priebežné a záverečné odstreďovanie
Bavlna: Čiastočne znečistené biele a farebné chúlolistivé prádlo (košeľe, trička, atď.)	8	40°C		•	•		50	Pranie pláchanie, priebežné a záverečné odstreďovanie
Syntetika: Chúlolistivé farebné prádlo (zľahka znečistené prádlo všetkého druhu)	9	40°C		•	•		40	Pranie, pláchanie, a odstreďovanie pre chúlolistivé prádlo
Syntetika: Chúlolistivé farebné prádlo (zľahka znečistené prádlo všetkého druhu)	10	30°C		•	•		30	Pranie, pláchanie, a odstreďovanie pre chúlolistivé prádlo
Šport								
Športová obuv (MAX. 2 páry.)	11	30°C		•	•		50	Pranie v studenej vode (bez pracieho prostriedku), pranie, pláchanie a odstreďovanie pre chúlolistivé prádlo
Tkaniny pre športový odev (teplákové súpravy, ponožky, atď.)	12	30°C		•	•		60	Pranie pláchanie, priebežné a záverečné odstreďovanie
MEMO		Služi k uloženiu ľubovoľného spôsobu prania do pamäti (vid' str. 41).						
ČIASTOČNÉ PROGRAMY								
Pláchanie					•	Na chúl. prádlo/Tradičný		Pláchanie o odstreďovanie
Odstreďovanie								Vypúšťanie vody a odstreďovanie
Vypúšťanie vody								Vypúšťanie vody

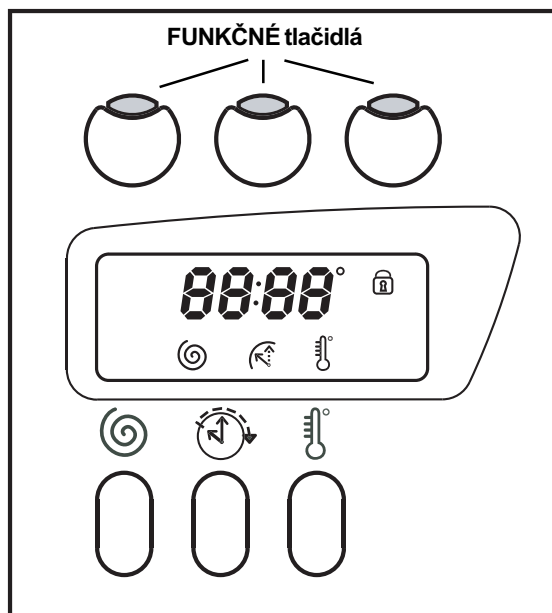
Note

- Pri programoch 7 - 8 sa doporučuje neprekročiť hmotnosť náplne práčky 3,5 kg.
- Pri programe 12 sa doporučuje neprekročiť náplň práčky 2 kg.
- Popis ochrany pred pokrčením: vid' Jednoduché žehlenie, na vedľajšej strane. Údaje uvedené v tabuľke majú len informatívny charakter.

Špeciálny program

Každodenné pranie 30' (program 10 pre syntetiku) je navrhnutý špeciálne na pranie zľahka znečistenej bielizne počas krátkej doby: trvá len 30 minút a šetrí tak energiu a čas. Nastavením programu (10 pri 30°C) je možné prať spolu bielizeň rôzneho druhu (s výnimkou vlny a hodvábu) s náplňou nepresahujúcou 3 kg. *Doporučuje sa použitie tekutého pracieho prostriedku.*

Nastavenie činnosti podľa potrieb užívateľa



Nastavenie rýchlosti odstreďovania

V prípade, keď sa pri zapnutí práčky nachádza OTOČNÝ VOLIČ v polohe odpovedajúcej programu, ktorého súčasťou je i odstreďovanie, ikona bude zobrazená bez toho, aby blikala. Po stlačení tlačidla dôjde k zobrazeniu maximálnej nožnej rýchlosti odstreďovania pre nastavený program a bude sprevádzané blikaním ikony . Po ďalšom stlačení uvedeného tlačidla dôjde k zníženiu rýchlosti až na hodnotu OFF, označujúcu vylúčenie odstreďovania (návrat na vyššie hodnoty je možný po ďalšom stlačení tlačidla). Po zotrvaní na požadovanej hodnote dôjde po približne 2 sekundách k akceptovaniu zvolenej hodnoty: symbol zostane zobrazený bez toho, aby blikal. Nastavenie rýchlosti odstreďovania je možné u všetkých pracích programov, s výnimkou programu 6 a vyčerpania vody.

Regulácia odloženého štartu (Delay Timer)

Po stlačení tlačidla dôjde na displeji k zobrazeniu nápisu OFF a bude sprevádzané blikaním príslušného symbolu. Po ďalšom stlačení uvedeného tlačidla sa zobrazí „1h“, čo odpovedá odloženiu štartu o jednu hodinu a tak ďalej až po hodnotu 24h. Po zotrvaní na požadovanej hodnote „odloženia“, dôjde približne po 2 sekundách k akceptovaniu zvolenej hodnoty. Následne bude na displeji zobrazený čas

zahájenia nastaveného programu a symbol zostane rozsvietený. Po ďalšom stlačení tlačidla ŠTART/VYNULOVANIE dôjde v danej situácii k opätovnému zobrazeniu zvoleného „odloženia“ štartu, ktoré bude postupne, až do zahájenia cyklu, každú hodinu znižované. V tejto fáze je možné zmeniť hodnotu „odloženia“ len jej znížením. Regulácia odloženia štartu (Delay Timer) je aktívna pri všetkých programoch.

Nastavenie teploty

V prípade, keď sa pri zapnutí práčky nachádza OTOČNÝ VOLIČ v polohe odpovedajúcej programu, ktorého súčasťou je i regulácia teploty, ikona bude zobrazená bez toho, že by blikala. Po stlačení tlačidla dôjde k zobrazeniu maximálnej nožnej teploty pre nastavený program a bude sprevádzané blikaním ikony . Po ďalšom stlačení uvedeného tlačidla dôjde k zníženiu teploty až na hodnotu OFF, označujúcu pranie v studenej vode (návrat na vyššie hodnoty je možný po ďalšom stlačení tlačidla). Po zotrvaní na požadovanej hodnote dôjde po približne 2 sekundách k akceptovaniu zvolenej hodnoty: symbol zostane zobrazený bez toho, aby blikal. Nastavenie teploty je možné u všetkých pracích programov.

Funkcie

Jednotlivé funkcie, ktorými práčka disponuje umožňujú dosiahnuť požadovaný stupeň čistoty a bieloby praného prádla. Spôsob aktivácie jednotlivých funkcií:

1. stlačte tlačidlo príslušnej požadovanej funkcie podľa nižšie uvedenej tabuľky;
2. podsvietenie príslušného tlačidla signalizuje, že došlo k aktivácii zvolenej funkcie.

Poznámka: Rýchle blikanie tlačidla poukazuje na to, že príslušná funkcia je nepoužiteľná počas nastaveného pracieho programu. V prípade, že bude zvolená funkcia, ktorá nie je kompatibilná s niektorou z vopred zvolených funkcií, aktivovaná zostane len posledne zvolená funkcia.

Funkcie	Efekt	Poznámky k použitiu	Aktívna pri programoch:
Bielenie	Bieliaci cyklus vhodný na odstránenie najodolnejších škvŕn.	Nezabudnite na vloženie bieliaceho prostriedku do prídavnej priehradky 4 (vid' str. 44). Táto funkcia nie je kompatibilná s funkciou JEDNODUCHÉ ZEHLENIE.	2, 3, 4, plákanie.
Intenzívne plákanie	Slúži na zvýšenie účinnosti plákania.	Jej použitie sa doporučuje pri úplne naplnenej práčke alebo pri použití veľkého množstva pracieho prostriedku.	1, 2, 3, 4, 7, 8, 9, 11, 12, plákanie.
Jednoduché zehlenie	Slúži na zníženie počtu záhybov na tkaninách, uľahčujúc následné zehlenie.	Po nastavení tejto funkcie dôjde k prerušeniu programov 4, 5, 6 s prádlom v bubne bez vypustenia vody (ochrana proti krčeniu) sprevádzaného blikaním príslušného tlačidla. - ukončenie cyklu sa vykonáva stlačením tlačidla ŠTART/VYNULOVANIE alebo tlačidla JEDNODUCHÉ ZEHLENIE. - ak si prajete len vyčerpať vodu, nastavte otočný volič do polohy označenej a stlačte tlačidlo ŠTART/VYNULOVANIE. Táto funkcia nie je kompatibilná s funkciou BIELENIE.	3, 4, 5, 6, 7, 8, 9, plákanie.

SK

Inštalácia

Popis

Pracie programy

Pracné prostriedky

Opatrenia

Údržba

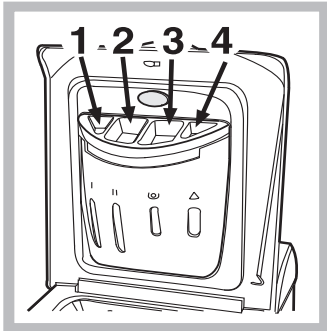
Poruchy

Servisná služba

Pracie prostriedky a bielizeň

SK

Dávkovač pracích prostriedkov



Dobrý výsledok prania závisí aj od správneho dávkovania pracích prostriedkov: ich použitie v nadmernom množstve znižuje efektívnosť prania a napomáha tvorbe vodného kameňa na vnútorných častiach práčky a tiež znečisteniu životného prostredia.

Pri vyťahovaní dávkovača pracích prostriedkov a pri jeho plnení pracími alebo prídavnými prostriedkami postupujte nasledovne.

priehradka 1: Prací prostriedok (práškový) na predpierku

priehradka 2: Prací prostriedok na pranie (práškový alebo tekutý)

Tekutý prací prostriedok je vhodné naliať priamo do bubna, prostredníctvom dávkovacej guľičky.

priehradka 3: Prídavné prostriedky (aviváž, atď.)

Po liatí aviváže do priehradky 3 dbajte na to, aby nedošlo k presiahnutiu úrovne označenej „max“. Aviváž bude do práčky dávkovaná automaticky počas posledného plákania. Po ukončení pracieho programu zostane v priehradke 3 zvyšok vody. Táto slúži na riedenie veľmi hustých druhov aviváže, alebo druhov aviváže s vysokou koncentráciou. Ak v priehradke 3 zostane viac vody ako obvyčajne, znamená to, že vyprázdňovacie zariadenie je upchaté. Pokyny na čistenie sú uvedené na str. 46.



prídavná priehradka 4: Bieliaci prostriedok

! Nepoužívajte pracie prostriedky určené na ručné pranie, pretože spôsobujú tvorbu nadmerného množstva peny.

Cyklus bielenia

Bieliaci prostriedok **na bežné prádlo** sa môže používať výlučne pri bielení odolného bieleho prádla, zatiaľ čo bieliaci prostriedok **na jemnú bielizeň** sa používa pri bielení farebného prádla, prádla zo syntetických tkanín a vlny.

Pri dávkovaní bieliaceho prostriedku nepresiahnite hladinu „max“, vyznačenú na priehradke 4 (vid' obrázok).

Pri samotnom bielení nalejte bieliaci prostriedok do priehradky 4, nastavte program Plákanie  a príslušným tlačidlom zvolte funkciu Odstránenie škvŕn .

Príprava bielizeň

- Roztriedte bielizeň podľa:
 - druhu tkaniny / symbolu na visačke.
 - farby: oddelte farebné prádlo od bieleho.
- Vyprázdnite vrecká a skontrolujte gombíky.
- Neprekračujte povolenú náplň, vzťahujúcu sa na hmotnosť suchej bielizeň:
 - Odolné tkaniny: max. 5 kg
 - Syntetické tkaniny: max. 2.5 kg
 - Jemné tkaniny: max. 2 kg
 - Vlna max. 1 kg

Koľko váži bielizeň?

- 1 plachta 400-500 g
- 1 obliečka na vankúš 150-500 g
- 1 obrus 400-500 g
- 1 župan 900-1.200 g
- 1 uterák 150-250 g

Odevy vyžadujúce špeciálnu starostlivosť

Záclony: prehnite ich a uložte do obliečky na vankúš alebo do sáčku zo sieťoviny. Je treba ich prať samotné a neprekročiť polovičnú náplň. Na pranie záclon použite program 6, ktorý automaticky vylúči odstredovanie.

Prešívane kabáty a vetrovky: je možné ich prať v práčke v prípade, ak sú plnené husacím alebo kačacím perím. Jednotlivé kusy odevu obráťte naruby, naplňte práčku náplňou s hmotnosťou nepresahujúcou 2-3 kg, zopakujte raz alebo viackrát plákanie a použite jemné odstredovanie.

Tenisky: očistite ich od bahna. Môžete ich prať spolu s džínami a bielizňou z odolných tkanín, nemôžete ich však prať spolu s bielou bielizňou.

Vlna: aby ste dosiahli čo najlepšie výsledky, treba použiť špecifický prací prostriedok na pranie vlny a neprekročiť 1 kg náplne.

! Práčka bola navrhnutá a vyrobená v súlade s platnými medzinárodnými bezpečnostnými predpismi. Tieto upozornenia sú uvádzané z bezpečnostných dôvodov a je treba si ich pozorne prečítať.

Základné bezpečnostné pokyny

- Práčku môžu používať len dospelé osoby, podľa pokynov uvedených v tomto návode.
- Nedotýkajte sa zariadenia bosí, alebo v prípade, keď máte mokré ruky alebo nohy.
- Nevytáňajte zástrčku zo zásuvky potiahnutím za kábel, ale uchopením za zástrčku.
- Neotvárajte dávkovač pracích prostriedkov počas činnosti zariadenia.
- Nedotýkajte sa vyčerpanej vody, pretože môže mať veľmi vysokú teplotu.
- Nepokúšajte sa o násilné otváranie dvierok: mohlo by dôjsť k poškodeniu bezpečnostného uzáveru, ktorý zabraňuje náhodnému otvoreniu.
- Pri výskyte poruchy sa v žiadnom prípade nepokúšajte o opravu vnútorných častí zariadenia.
- Vždy majte pod kontrolou deti a zabráňte ich priblíženiu sa k práčke počas pracieho cyklu.
- Počas pracieho cyklu majú dvierka tendenciu zohriať sa.
- V prípade potreby premiestňujte práčku v dvojici alebo v trojici, a venujte celej operácii zvláštnu pozornosť. Nikdy sa nepokúšajte práčku premiestňovať sami, je totiž veľmi ťažká.
- Pred zahájením vkladania bielizne skontrolujte, či je bubon prázdny.

Likvidácia

- Likvidácia obalových materiálov: pri ich odstraňovaní postupujte v súlade s miestnymi predpismi a s cieľom ich recyklácie.
- **Likvidácia starých elektrických zariadení**
Európska smernica 2002/96/EC o odpadových elektrických a elektronických zariadeniach stanovuje, že staré domáce elektrické spotrebice nesmú byť odkladané do bežného netriedeného domového odpadu. Staré spotrebice musia byť odovzdané do oddeleného zberu a to za účelom recyklácie a optimálneho využitia materiálov,

ktoré obsahujú, z dôvodu prevencie negatívneho dopadu na ľudské zdravie a životné prostredie. Symbol "preciarknutej popolnice" na výrobku Vás upozorňuje na povinnosť odovzdať zariadenie po skončení jeho životnosti do oddeleného zberu. Spotrebiteľia majú povinnosť kontaktovať ich lokálny úrad alebo maloobchod kvôli informáciám týkajúcich sa správneho odovzdaniu a likvidácie ich starých spotrebicov.

- Likvidácia starej práčky:
pred jej likvidáciou sa postarajte o jej znehodnotenie, odstrihnutím prívodného kábla a oddelením dvierok.

Ako ušetriť a brať ohľad na životné prostredie

Technológia v službách životného prostredia

Vysvetlením toho, že vo vnútri práčky je vidieť málo vody, je skutočnosť, že nová technológia Ariston umožňuje dokonale vyprať bielizeň s použitím menej než polovičného množstva vody: jedná sa o dosiahnutie vytýčeného cieľa s ohľadom na životné prostredie.

Šetrenie pracími prostriedkami, vodou, energiou a časom

- Aby nedochádzalo k plytvaniu, je treba používať práčku s plnou náplňou. Jedna plná náplň, v porovnaní s dvoma polovičnými, umožňuje ušetriť až 50% energie.
- Predpierka je potrebná len pri praní silno znečistenej bielizne. Prací program bez predpierky umožňuje ušetriť od 5 do 15% energie.
- Pri aplikácii príslušného prostriedku proti škvrnám alebo ich namočením pred zahájením prania, je možné vyhnúť sa praniu pri vysokých teplotách. Použitie rovnakého pracieho programu pri teplote 60°C namiesto 90°C alebo 40°C namiesto 60°C, umožňuje ušetriť až 50% energie.
- Správne dávkovanie pracieho prostriedku, s ohľadom na tvrdosť vody, stupeň znečistenia a množstvo pranej bielizne zabraňuje plytvaniu a chráni životné prostredie: i keď sa jedná o biodegradabilné látky, pracíe prostriedky narušujú prirodzenú rovnováhu v prírode. Ďalej je sa treba, podľa možností, vyhnúť použitiu aviváže.
- Pranie v podvečer alebo skoro ráno napomáha nižšej záťaži firmi, zaoberajúcej sa výrobou energie. Voliteľná funkcia oneskorený štart (vid' str. 55) značne napomáha organizácii prania práve na základe uvedených pravidiel.
- V prípade, že bielizeň má byť vysušená v sušičke, zvolte vysokú rýchlosť odstreďovania. Malé množstvo vody umožňuje šetriť čas a energiu počas programu sušenia.

SK

Inštalácia

Popis

Pracie programy

Pracie prostriedky

Opatrenia

Údržba

Poruchy

Servicečná služba

Údržba a starostlivosť

SK

Zatvorenie prívodu vody a vypnutie elektrického napájania

- Po každom praní uzatvorte prívod vody. Týmto spôsobom dochádza k obmedzeniu opotrebovania práčky a k zníženiu nebezpečenstva úniku vody.
- Pred zahájením čistenia práčky a počas operácií údržby je treba vytiahnuť zástrčku prívodného kábla zo zásuvky.

Čistenie práčky

Vonkajšie časti a časti z gumy môžu byť čistené handrou navlhčenou vo vlažnej vode a saponáte. Nepoužívajte rozpúšťadlá alebo brúsne prostriedky.

Čistenie dávkovača pracích prostriedkov

Vytiahnite dávkovač jeho nadvihnutím a vytiahnutím smerom von (vid' obrázok).

Umyte ho pod prúdom vody; tento druh vyčistenia je treba vykonávať pravidelne.

Starostlivosť o dvierka a bubon

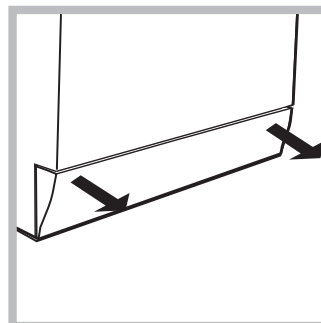
- Dvierka ponechajte zakaždým pootvorené, aby sa zabránilo tvorbe nepríjemných zápachov.

Čistenie čerpadla

Súčasťou práčky je samočistiace čerpadlo, ktoré nevyžaduje osobitnú starostlivosť. Môže sa však stať, že sa v jeho vstupnej časti, určenej na jeho ochranu, a nachádzajúcej sa v jeho spodnej časti, zachytia drobné predmety (mince, gombíky).

! Uistite sa, že prací cyklus bol ukončený a vytiahnite zástrčku zo zásuvky.

Pri vyberaní prípadných predmetov spadnutých do predkomory:



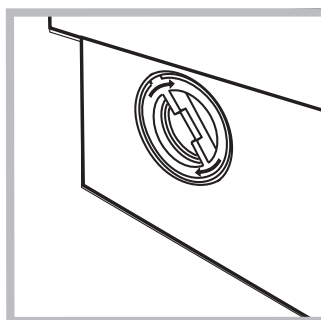
1. odmontovať podstavec práčky v spodnej časti, vpredu, jeho potiahnutím rukami za okraje (vid' obrázok);

2. odkrúťte vrchný kryt jeho otáčaním proti smeru hodinových ručičiek (vid' obrázok): vytečenie malého množstva vody je celkom bežným javom;

3. dokonale vyčistite vnútro vstupnej časti čerpadla;

4. nasadte späť vrchný kryt;

5. namontujte späť krycí panel, pričom sa, pred jeho prisunutím k práčke uistite, že došlo k správnejmu zachyteniu háčikov do príslušných otvorov.



Kontrola prítokovej hadice

Stav prítokovej hadice je treba skontrolovať aspoň raz ročne. Ak sú na nej viditeľné praskliny alebo trhliny, je potrebné ju vymeniť: silný tlak pôsobiaci na hadicu počas pracieho cyklu by mohol spôsobiť jej náhle roztrhnutie.

! Nikdy nepoužívajte už použité hadice.

Ako sa čistí dávkovač pracích prostriedkov

Demontáž:

Zľahka zatlačte na veľké tlačidlo v prednej časti dávkovača pracích prostriedkov a vytiahnite ho smerom nahor (obr. 1 a 2).

Čistenie:

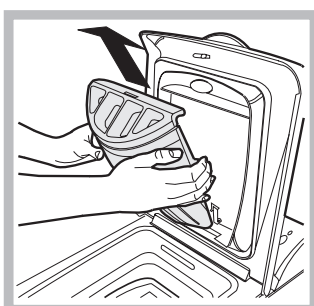
Starou zubnou kefkou vyčistite dávkovač pod kohútikom s tečúcou vodou (obr.3), vytiahnite pár sifónov uložených v hornej časti priehradiek 1 a 2 (obr. 4), skontrolujte či nie sú upchaté a umyte ich pod vodou.

Spätná montáž:

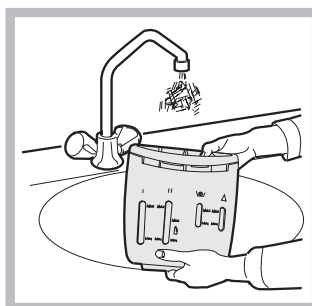
Nezabudnite vložiť na pôvodné miesto sifóny a potom vložte na pôvodné miesto aj dávkovač (obr. 4, 2, 1).



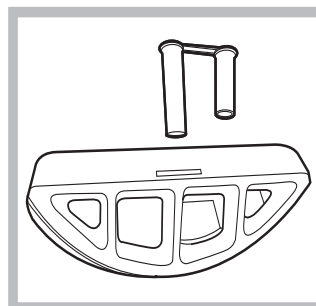
Obr. 1



Obr. 2



Obr. 3



Obr. 4

Poruchy a spôsoby ich odstránenia

Môže sa stať, že práčka nebude fungovať. Pred obrátením sa telefonicky na servisnú službu (vid' str. 48), skontrolujte prostredníctvom nasledujúceho zoznamu, či sa nejedná o jednoducho odstrániteľný problém.

Poruchy:

Možné príčiny / Spôsob ich odstránenia:

Práčku nie je možné zapnúť.

- Zástrčka nie je zasunutá v zásuvke, alebo nie dostatočne na to, aby došlo k spojeniu kontaktov.
- V celom dome je vypnutý prúd.

Nedochádza k zahájeniu pracieho cyklu.

- Dvierka nie sú správne zatvorené (na displeji je zobrazený nápis "Door").
- Nebolo stlačené tlačidlo (I)
- Nebolo stlačené tlačidlo ŠTART/VYNULOVANIE.
- Nebol otvorený kohútik prívodu vody.
- Bol nastavený oneskorený štart (Oneskorený štart, vid' str. 43).

Nedochádza k napúšťaniu vody do práčky (na displeji je zobrazený nápis H₂O).

- Prívodná hadica nie je pripojená k vodovodnému kohútiku.
- Prívodná hadica je príliš ohnutá.
- Nebol otvorený kohútik prívodu vody.
- V celom dome je uzatvorený prívod vody.
- V rozvode vody nie je dostatočný tlak.
- Nebolo stlačené tlačidlo ŠTART/VYNULOVANIE.

Dochádza k nepretržitému napúšťaniu a vypúšťaniu vody.

- Vypúšťacia hadica sa nachádza mimo určeného rozmedzia od 65 do 100 cm nad zemou (vid' str. 39).
- koncová časť vypúšťacej hadice je ponorená vo vode (vid' str. 39).
- odpad v stene nie je vybavený zavzdušňovacím otvorom.

Keď ani po uvedených kontrolách nedôjde k odstráneniu problému, uzatvorte prívod vody, vypnite práčku a privolajte servisnú službu. V prípade, že sa byt nachádza na jednom z najvyšších poschodí, je možné, že dochádza k sifónovému efektu, následkom čoho práčka nepretržite napúšťa a vypúšťa vodu. Na odstránenie uvedeného efektu sú v predaji bežne dostupné špeciálne protisifónové ventily.

Nedochádza k vyčerpaniu vody alebo k odstredovaniu.

- Odčerpanie vody netvorí súčasť nastaveného programu: u niektorých programov je potrebné jeho manuálne uvedenie do činnosti (vid' str. 42).
- Bola aktivovaná voľiteľná funkcia Jednoduché žehlenie: dokončenie pracieho cyklu je možné po stlačení tlačidla ŠTART/VYNULOVANIE (vid' str. 43).
- Vypúšťacia hadica je príliš ohnutá (vid' str. 39).
- Odpadové potrubie je upchaté.

Počas odstredovania je možné pozorovať silné vibrácie.

- Počas inštalácie nebol bubon odistený predpísaným spôsobom (vid' str. 38).
- Práčka nie je vyrovnaná do vodorovnej polohy (vid' str. 38).
- Práčka je zatlačená medzi nábytkom a stenou (vid' str. 38).

Dochádza k úniku vody z práčky.

- Prívodná hadica nie je správne pripojená (vid' str. 38).
- Dávkovač pracích prostriedkov je upchatý (spôsob jeho vyčistenia – vid' str. 46).
- Vypúšťacia hadica nie je upevnená predpísaným spôsobom (vid' str. 39).

V prípade výskytu poruchy bude zobrazený chybový kód, napríklad: F-01

- Vypnite zariadenie a vytiahnite zástrčku zo zásuvky, vyčkajte 1 minútu a opätovne ho zapnite. Ak porucha pretrváva, obráťte sa na Servisnú službu.

Dochádza k tvorbe nadmerného množstva peny.

- Použitý prací prostriedok nie je vhodný pre použitie v automatickej práčke (musí obsahovať označenie „na pranie v práčke“, „na pranie v rukách alebo v práčke“ alebo podobné označenie).
- Bolo ho použité nadmerné množstvo.

SK

Inštalácia

Popis

Pracie programy

Pracíe prostriedky

Opatrenia

Údržba

Poruchy

Servisná služba

Servisná služba

SK

Pred privolaním servisnej služby:

- Skontrolujte, či nie ste schopní poruchu odstrániť sami (*vid' str. 47*);
- Opätovne uveďte do chodu prací program, s cieľom overiť, či bola porucha odstránená;
- V opačnom prípade sa obráťte na autorizované centrum servisnej služby, na telefónnom čísle uvedenom na záručnom liste.

! Nikdy sa neobracajte so žiadosťou o pomoc na technikov, ktorí nie sú na vykonávanie tejto činnosti oprávnení.

Pri hlásení poruchy uveďte:

- druh poruchy;
- model práčky (Mod.);
- výrobné číslo (S/N).

tieto informácie sú uvedené na typovom štítku, nachádzajúcom sa na zadnej strane práčky.

INSTRUCȚIUNI DE FOLOSIRE

MAȘINĂ DE SPĂLAT RUFEE

RO

Română

WITE 87

RO

Sumar

Instalare, 50-51

Scoaterea din ambalaj și nivelarea, 50
Legături hidraulice și electrice, 50-51
Primul ciclu de spălare, 51
Date tehnice, 51

Descrierea mașinii de spălat, 52-53

Panoul de control, 52
Cum se deschide și închide coșul, 52
Display-ul, 53
Program "MEMO", 53

Pornire și Programe, 54

Pe scurt: pornirea unui program, 54
Tabel de programe, 54

Personalizări, 55

Reglarea centrifugei, 55
Reglarea delay timerului, 55
Reglarea temperaturii, 55
Funcții, 55

Detergenți și rufe albe, 56

Sertarul detergenților, 56
Ciclu de albire, 56
Prepararea rufelor, 56
Rufe deosebite, 56

Precauții și sfaturi, 57

Protecție generală, 57
Aruncarea reziduurilor, 57
Protecția și respectarea mediului înconjurător, 57

Întreținere și îngrijire, 58

Oprirea apei și a curentului electric, 58
Curățarea mașinii de spălat, 58
Curățarea sertarului pentru detergenți, 58
Îngrijirea hubloului și a coșului, 58
Curățarea pompei, 58
Controlarea tubului de alimentare cu apă, 58
Curățarea sertarului de detergenți, 58

Anomalii și remedii, 59

Asistență, 60

Înainte de a lua legătura cu Asistența, 60

Instalare

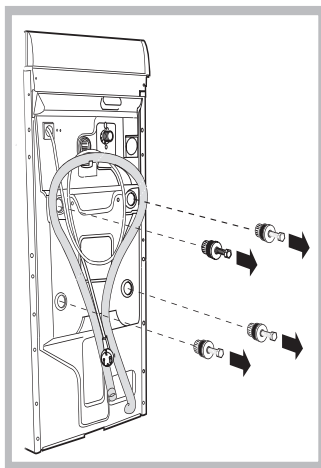
RO

! Este important să se păstreze acest manual pentru a-l putea consulta în orice moment. În caz de vânzare, de cesiune sau de schimbare a locuinței, acesta trebuie să rămână împreună cu mașina de spălat pentru a informa noul proprietar cu privire la funcționare și la respectivele avertismente.

! Citiți cu atenție instrucțiunile: veți găsi informații importante cu privire la instalare, la folosire și la siguranță.

Scoaterea din ambalaj și nivelarea

Scoaterea din ambalaj



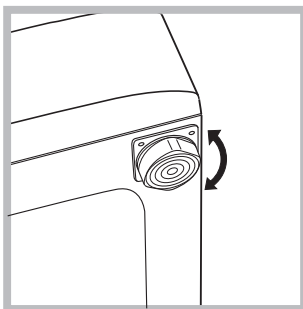
1. Scoaterea din ambalaj a mașinii de spălat.
2. Controlați ca mașina de spălat să nu fi fost deteriorată în timpul transportului. Dacă este deteriorată nu o conectați și luați legătura cu cine v-a vândut-o.
3. Scoateți cele patru șuruburi de protecție pentru transport și cauciucul cu respectivul distanțator, situate în partea posterioară (vezi figura).

4. Închideți orificiile cu dopurile din plastic aflate în dotare.
5. Păstrați toate piesele: pentru cazul în care mașina de spălat va trebui să fie transportată, piesele vor trebui montate din nou.

Atenție. Dacă doriți să refolosiți șuruburile, amintiți-vă că cele scurte se vor monta în partea de sus.

! Ambalajele nu constituie jucării pentru copii

Nivelare



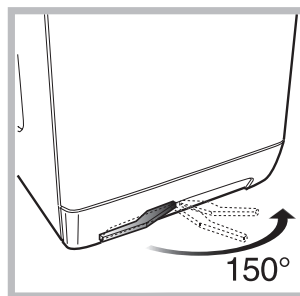
1. Instalați mașina de spălat pe un pavament plan și rigid, fără a o sprijini de ziduri, mobilă sau altceva.

2. Dacă podeaua nu este perfect orizontală, compensați neregularitățile deșurubând sau înșurubând

picioarele anterioare (vezi figura); unghiul de înclinare, măsurat pe planul de lucru, nu trebuie să depășească 2°.

O nivelare precisă conferă stabilitate mașinii și evită vibrații, zgomote și deplasări pe timpul funcționării. În cazul mochetelor sau a unui covor, reglați picioarele astfel încât să mențineți sub mașina de spălat un spațiu suficient pentru ventilare.

Amplasare, deplasare

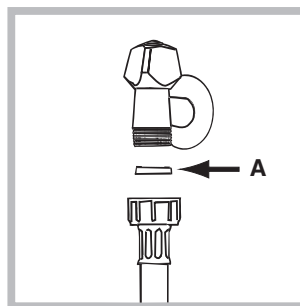


Dacă mașina dvs. de spălat este dotată cu un carucior special cu roți retractabile, atunci deplasarea ei se realizează foarte ușor. Pentru a coborî caruciorul și a o deplasa, trageți de maneta neagră situată

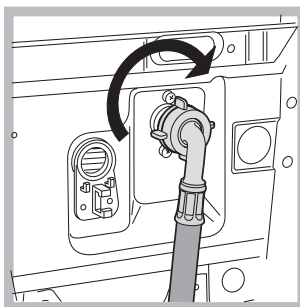
jos, în partea stângă, chiar sub picior. După ce ați mutat-o, ridicați-i roțile, pentru a o aduce în poziția inițială. Astfel, ea este așezată solid. (a se vedea figura; numai pe anumite modele).

Legături hidraulice și electrice

Conectarea tubului de alimentare cu apă



1. Introduceți garnitura A în extremitatea tubului de alimentare și înșurubați-l la un robinet de apă rece cu gura filetată de 1" gaz (vezi figura). Înainte de conectare, lăsați apa să curgă pentru a se limpezi.



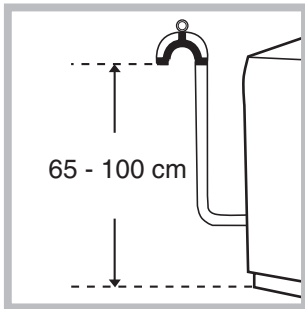
2. Conectați tubul de alimentare la mașina de spălat, înșurubându-l la respectiva priză de apă, în partea posterioară, sus în dreapta (vezi figura).

3. Fiți atenți ca tubul să nu fie nici curbat nici îndoit.

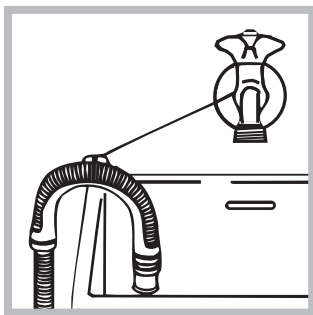
! Presiunea apei trebuie să fie cuprinsă în valorile tabelului Date tehnice (vezi pagina alăturată).

! Dacă lungimea tubului de alimentare nu este suficientă, adresați-vă unui magazin specializat sau unui tehnician autorizat.

Conectarea tubului de evacuare



Conectați tubul de evacuare, fără a-l îndoi, la o conductă de evacuare sau la o gură de evacuare în zid, situate între 65 și 100 cm de pământ;



sau sprijiniți-l pe marginea unei chiuvete sau a unei căzi, legând ghidul aflat în dotare, de robinet (vezi figura). Extremitatea liberă a tubului de evacuare nu trebuie să rămână cufundată în apă.

! Nu este recomandabilă folosirea tuburilor de prelungire; dacă este indispensabil, tubul de prelungire trebuie să aibă același diametru cu tubul original și nu trebuie să depășească 150 cm.

Legătura electrică

Înainte de a introduce fișa în priza de curent, asigurați-vă ca:

- priza să fie cu împământare și conform prevederilor de lege;
- priza să poată suporta sarcina maximă de putere a mașinii, indicată în tabelul cu Date tehnice (vezi alături);
- tensiunea de alimentare să fie cuprinsă în valorile indicate în tabelul cu Date tehnice (vezi alături);
- priza să fie compatibilă cu fișa mașinii de spălat. În caz contrar înlocuiți priza sau fișa.

! Mașina de spălat nu trebuie instalată afară, nici chiar în cazul în care spațiul este adăpostit, deoarece este foarte periculoasă expunerea mașinii la ploaie și furtuni.

! După instalarea mașinii de spălat, priza de curent trebuie să fie ușor accesibilă.

! Nu folosiți prelungitoare și prize multiple.

! Cablul nu trebuie să fie îndoit sau comprimat.

! Cablul de alimentare trebuie să fie înlocuit doar de tehnicieni autorizați.

Atenție! Producătorul își declină orice responsabilitate pentru cazul în care aceste norme nu se respectă.

Primul ciclu de spălare

După instalare, înainte de folosire, efectuați un ciclu de spălare cu detergent și fără rufe, selectând programul la 90°C fără prespălare.

Date tehnice

Model	WITE 87
Dimensiuni	lărgime 40 cm înălțime 85 cm profundime 60 cm
Capacitate	de la 1 la 5 kg
Legături electrice	tensiune 220/230 Volți 50 Hz putere maximă absorbită 1850 W
Legături hidrice	presiune maximă 1 MPa (10 bari) presiune minimă 0,05 MPa (0,5 bari) capacitatea cuvei 42 litri
Viteza de centrifugare	până la 800 de rotații pe minut
Programe de control pe baza normei IEC456	programul 2 temperatura 60°C; efectuată cu 5 kg de rufe.
	Acest aparat este conform cu următoarele Directive Comunitare: - 73/23/CEE din data de 19/02/73 (Tensiuni Joase) și modificări succesive - 89/336/CEE din data de 03/05/89 (Compatibilitate Electromagnetică) și modificări succesive
Zgomot (dB(A) re 1 pW)	Spălare: 66 Centrifugare: 77

RO

Instalare

Descriere

Programe

Detergenți

Precauții

Întreținere

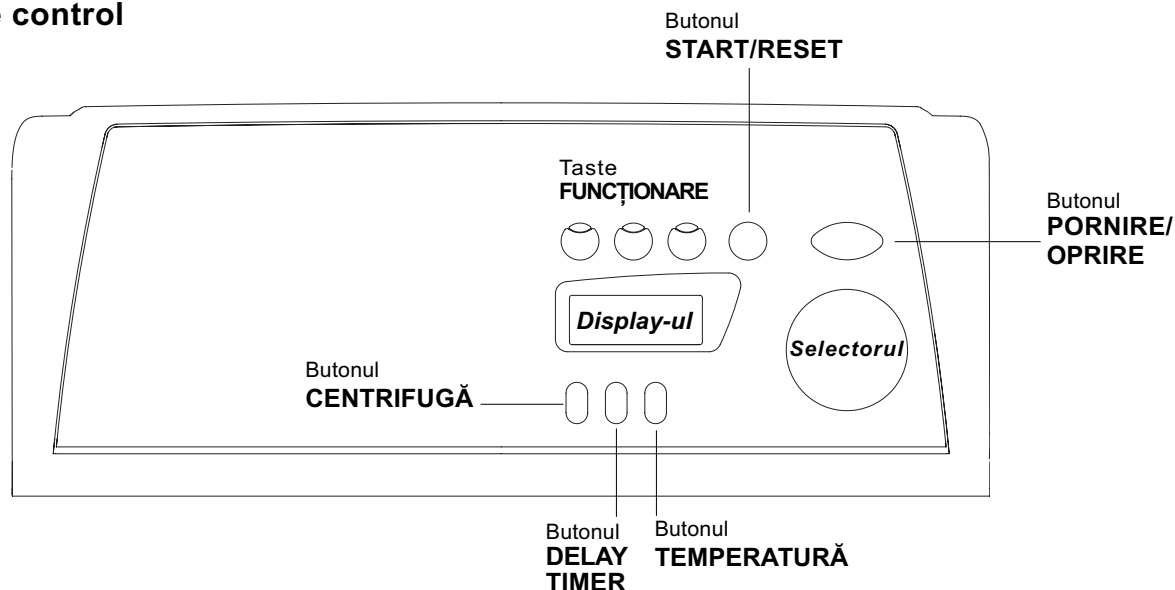
Anomalii

Asistență

Descrierea mașinii de spălat

RO

Panoul de control



Sertarul detergenților pentru a încărca detergenți și aditivi (vezi pag. 56).

Butonul **CENTRIFUGĂ** (*) pentru reglarea vitezei de centrifugare până la excluderea acesteia (vezi pag. 55).

Buton **DELAY TIMER** pentru a întârzia pornirea programului selectat cu maxim 24 de ore (vezi pag. 55).

Butonul **TEMPERATURĂ** pentru modificarea temperaturii de spălare (vezi pag. 55).

Display-ul pentru programarea mașinii de spălat și efectuarea avansării ciclurilor de spălare (vezi pagina alăturată).

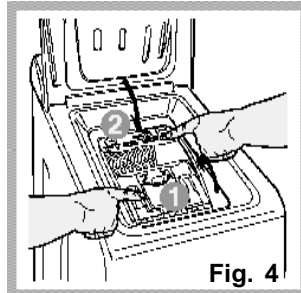
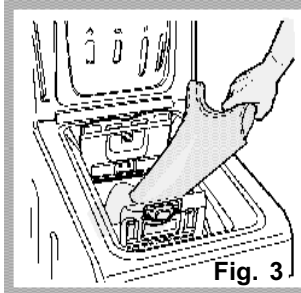
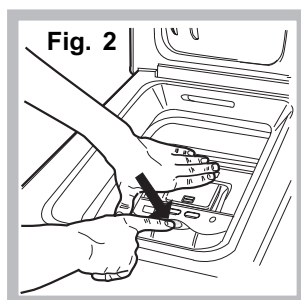
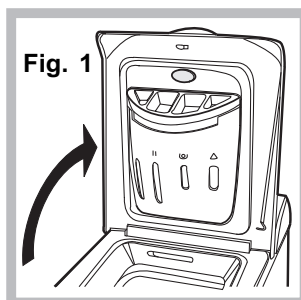
Taste **FUNȚIONARE**: pentru a selecta funcțiile disponibile. Butonul corespunzător funcției selectate va rămâne aprins.

Butonul **START/RESET** pentru pornirea programelor sau anularea a ceea ce a fost selectat greșit.

Butonul **PORNIRE/OPRIRE** pentru pornirea și stingerea mașinii de spălat.

Selectorul pentru alegerea programelor. Pe durata programului selectorul rămâne ferm.

Cum se deschide și închide coșul



A) Deschiderea capacului superior (Fig. 1):

Ridicați capacul extern și deschideți-l complet.

B) Deschiderea coșului, folosind ambele mâini (Fig. 2):

- apăsați tasta indicată cu săgeată (fig. 2) și, exercitând o ușoară presiune în jos, apropiați cealaltă mână: acest lucru este necesar pentru a evita lovirea accidentală provocată de deschiderea bruscă a ușilor;
- țineți cu mâna ușile care acum se vor deschide ușor.

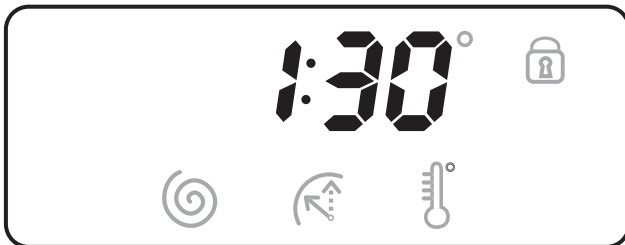
C) Introducerea rufelor (Fig. 3)

D) Închiderea (Fig. 4):

- închideți coșul apropiind mai întâi ușa anterioară iar apoi pe cea posterioară;
- asigurați-vă că și cârligele ușii anterioare sunt montate în partea de sus și se îmbină perfect cu locașul de pe ușa posterioară;
- după ce ați auzit zgomotul de prindere, apăsați ușor în jos cele două uși (fiți atenți să nu se desprindă una de cealaltă);
- închideți capacul exterior.

Display-ul

În afară de faptul că este un instrument util pentru programarea mașinii (vezi pag. 55), displayul furnizează informații cu privire la ciclul de spălare.



După apăsarea butonului START/RESET pentru a porni programul, pe display este cronometrată durata reziduală până la inițierea programului de spălare ales. În cazul în care inițierea programului de spălare după un anumit interval de timp (Delay Timer, vezi pag. 55), aceasta va fi vizualizată.

Hublou blocat:



Simbolul aprins indică faptul că hubloul este blocat pentru a împiedica deschideri întâmplătoare. Pentru a evita daunele ce pot deriva dintr-o funcționare defectuoasă, este necesar să așteptați ca simbolul să se stingă înainte de a deschide hubloul.

La sfârșitul programului se vizualizează cuvântul “End”.

! În caz de anomalie apare un cod de eroare, de exemplu: F-01, (vezi pag. 60).

Program “MEMO”

Acest program permite memorizarea ciclului de spălare preferat sau cel mai utilizat.

Este suficient să se selecteze programul dorit și după pornire să se rotească SELECTORUL pe poziția , automat ciclul va fi memorizat iar pe display va apărea scris “MEMO” intermitent timp de câteva secunde. După aceea va fi posibilă pornirea unui ciclu “MEMO” doar prin rotirea SELECTORULUI la poziția ; se vor putea vizualiza valorile de temperatură/centrifugă/delay timer apăsând pe butoanele corespunzătoare, se vor putea chiar și modifica însă această variație va fi valabilă doar pentru programul în curs și nu va fi memorată în ciclul „MEMO”.

Dacă se dorește memorarea unui nou ciclu de spălare, repetați operațiunile indicate mai sus.

(*) Pentru a evita vibrarea excesivă, înainte de stoarcere, mașina va distribui cantitatea de rufe în mod uniform, efectuând câteva rotații complete la o turație mai mare în raport cu turația de spălare.

Dacă, după numeroase încercări, mașina nu reușește să echilibreze încărcătura, stoarcerea rufelor se va face la o turație mai mică decât cea prevăzută de program.

Dacă dezechilibrul este prea mare (în cazul încărcărilor excesive), mașina va încerca să redistribuie încărcătura înainte de a efectua stoarcerea.

Aceste încercări pot prelungi durata totală a unui program cu maxim 10 minute.

RO

Instalare

Descriere

Programe

Detergenți

Precauții

Întreținere

Anomalii

Asistență


Pornire și Programe

RO




Pe scurt: pornirea unui program

1. Porniți mașina de spălat apăsând butonul (I)
2. Puneți rufe în mașină, adăugați detergentul și aditivii (vezi pag. 56) după care închideți ușițele și capacul.
3. Selectați cu ajutorul selectorului programul dorit. Pe display va apărea timpul estimat. Temperatura și centrifuga se selectează automat pe baza programului (pentru a le modifica vezi pag. 55).
4. Selectați eventuale funcții (vezi pag. 55).
5. Porniți programul apăsând butonul START/RESET. Pentru a anula țineți apăsat butonul START/RESET timp de cel puțin 2 secunde.
6. La sfârșitul programului va apărea scris "End". Scoateți rufe și lăsați hubloul întredeschis pentru a se putea usca coșul.
7. Închideți mașina de spălat apăsând butonul (I)

Tabel de programe

Tipul de țesătură și gradul de murdărie	Program-e	Temper-atură	Detergent		Aditiv înmuiere	Opțiune Antipată / Decolorant	Durata progra-mului (minute)	Descrierea programului de spălare
			presp.	spăl.				
Standard								
Bumbac: Albe extrem de murdare (cearceafuri, fețe de masă, etc.)	1	90°C	•	•	•		137	Prespălare, spălare, clătiri, stoarceri intermediare și finale
Bumbac: Albe foarte murdare (cearceafuri, fețe de masă, etc.)	2	90°C		•	•	Delicată / Tradiționale	129	Spălare, clătiri, stoarceri intermediare și finale
Bumbac: Albe și colorate rezistente foarte murdare	2	60°C		•	•	Delicată / Tradiționale	139	Spălare, clătiri, stoarceri intermediare și finale
Bumbac: Albe și colorate delicate foarte murdare	2	40°C		•	•	Delicată / Tradiționale	131	Spălare, clătiri, stoarceri intermediare și finale
Bumbac: Albe puțin murdare și culori delicate (cămăși, bluze, etc.)	3	40°C		•	•	Delicată / Tradiționale	78	Spălare, clătiri, stoarceri intermediare și finale
Sintetice: Culori rezistente foarte murdare (articole pentru noi născuți, etc.)	4	60°C		•	•	Delicată	79	Spălare, clătiri, anti șifonare sau stoarcere delicată
Sintetice: Culori rezistente foarte murdare (articole pentru noi născuți, etc.)	4	40°C		•	•	Delicată	65	Spălare, clătiri, anti șifonare sau stoarcere delicată
Lână	5	40°C		•	•		51	Spălare, clătiri, anti șifonare sau stoarcere delicată
Țesături foarte delicate (perdele, mătase, vâscoză, etc.)	6	30°C		•	•		52	Spălare, clătiri, anti șifonare sau evacuare
Time 4 you								
Bumbac: Albe și colorate rezistente foarte murdare	7	60°C		•	•		60	Spălare, clătiri, stoarceri intermediare și finale
Bumbac: Albe puțin murdare și culori delicate (cămăși, bluze, etc.)	8	40°C		•	•		50	Spălare, clătiri, stoarceri intermediare și finale
Sintetice: Culori delicate (rufe de toate tipurile puțin murdare)	9	40°C		•	•		40	Spălare, clătiri și stoarcere delicată
Sintetice: Culori delicate (rufe de toate tipurile puțin murdare)	10	30°C		•	•		30	Spălare, clătiri și stoarcere delicată
Sport								
Încălțăminte sportivă (MAX 2 perechi.)	11	30°C		•	•		50	Spălare la rece (fără detergent), spălare, clătiri și stoarcere delicată
Îmbrăcăminte sportivă (Treninguri, costume de gimnastică, etc.)	12	30°C		•	•		60	Spălare, clătiri, stoarceri intermediare și finale
MEMO		Permite memorarea oricărui tip de spălare (vezi pag. 53).						

PROGRAME PARȚIALE

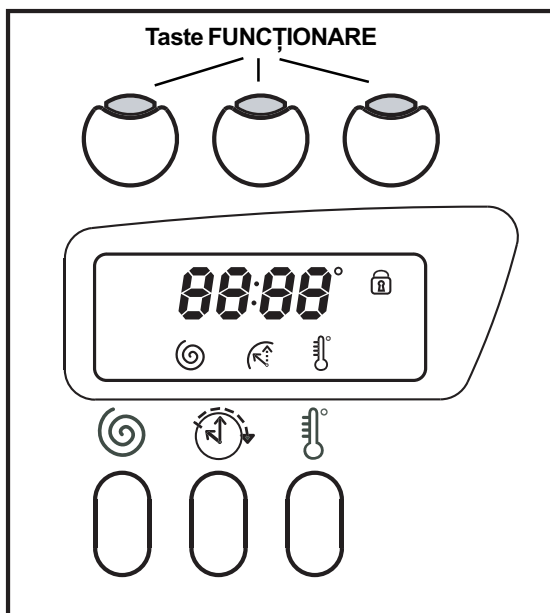
Clătire					•	Delicată / Tradiționale		Clătiri și stoarcere
Turație de centrifugare								Evacuare apă și stoarcere
Evacuare								Evacuare

Note

- Pentru programele 7 - 8 este recomandabil să nu se depășească o cantitate de rufe de 3,5 kg.
- Pentru programul 12 este recomandabil să nu se depășească o cantitate de rufe de 2 kg.
- Antișifonare-vezi „calcă mai ușor”, pagina alăturată. Datele specificate în tabel au valoare indicativă.

Program special

Zilnic 30' (programul 10 pentru materiale sintetice) este studiat pentru a spăla rufe puțin murdare într-un interval scurt de timp: durează doar 30 de minute economisindu-se energie și timp. Selectând programul (10 la 30°C) este posibilă spălarea împreună a țesăturilor de diverse tipuri (excluse lâna și mătasea) cu o încărcătură maximă de 3 kg. Se recomandă folosirea detergentului lichid.



Reglarea centrifugei

Dacă la pornirea mașinii, SELECTORUL este poziționat pe un program care prevede centrifuga, icoana apare fixă. Apăsând pe butonul se vizualizează viteza maximă permisă a centrifugii pentru programul selectat iar icoana semnalizează. Apăsând din nou valorile coboară până la OFF, ceea ce indică excluderea centrifugii (apăsați din nou pentru a reveni la valoarea cea mai mare); opriți-vă la valoarea dorită, după circa 2 secunde selecția se acceptă: simbolul rămâne fix. Reglarea centrifugei este activă pentru toate programele cu excepția programului 6 și a evacuării.

Reglarea delay timerului

Apăsând pe butonul pe display se vizualizează scris OFF iar simbolul respectiv se iluminează intermitent. Apăsând din nou pe buton apare „1h” adică întârziere de o oră și așa mai departe până la 24h; opriți-vă la „întârzierea” dorită, după circa 2 secunde selecția se acceptă; după aceea pe display se vizualizează timpul prevăzut pentru programul selectat iar simbolul rămâne aprins. Apăsând pe butonul START/RESET apare din nou valoarea

„întârzierii” selectate care scade la fiecare oră până la pornirea ciclului; în această fază se poate modifica valoarea „întârzierii” doar micșorând-o. Reglarea Delay Timerului este activă cu toate programele.

Reglarea temperaturii

Dacă la pornirea mașinii, SELECTORUL este poziționat pe un program care prevede reglarea temperaturii, icoana apare fixă. Apăsând pe butonul se vizualizează temperatura maximă permisă pentru programul selectat iar icoana semnalizează. Apăsând din nou, temperatura coboară până la OFF, care indică spălarea la rece (apăsați din nou pentru a reveni la valoarea cea mai mare); opriți-vă la valoarea dorită, după circa 2 secunde selecția se acceptă: simbolul rămâne fix. Reglarea temperaturii este activă cu toate programele de spălare.

Funcții

Diferitele funcții de spălare prevăzute pentru mașina de spălat permit obținerea unor rezultate excepționale (o calitate îmbunătățită a spălării-rufe curate, etc.). Pentru a activa aceste funcții, procedați astfel:

1. apăsați butonul aferent funcției dorite, ținând cont de informațiile conținute în tabelul de mai jos;
2. aprinderea butonului respectiv indică faptul că funcția respectivă a fost activată.

Notă: Intermitența rapidă a butonului indică faptul că funcția respectivă nu este selecționabilă pentru programul ales. În cazul în care va fi selectată o funcție incompatibilă cu cea selectată mai înainte, doar ultima aleasă va rămâne activă.

Funcții	Efect	Note pentru folosire	Activă cu programele:
Antipată	Ciclu de decolorare adecvat pentru eliminarea petelor mai rezistente.	A se vărsa decolorantul în sertarul adițional 4 (a se vedea pag. 56) În acest moment nu puteți utiliza funcția CALCĂ MAI UȘOR.	2, 3, 4, Clătiri.
Extra Clătire	Mărește eficacitatea clătirii.	Se recomandă cu mașina plină sau cu doze elevate de detergent.	1, 2, 3, 4, 7, 8, 9, 11, 12, Clătiri.
Calcă mai ușor	Reduce pliurile la țesături facilitând călcarea.	Selectând această funcție, programele 4, 5, 6 se întrerup cu rufele la înmuiat (Antișifonare) iar butonul respectiv semnalizează. - pentru a completa ciclul apăsați pe butonul START/RESET sau pe butonul CALCĂ MAI UȘOR. - pentru a efectua doar descărcarea poziționați selectorul pe simbolul respectiv și apăsați pe butonul START/RESET. . În acest moment nu puteți utiliza funcția ANTIPATĂ.	3, 4, 5, 6, 7, 8, 9, Clătiri.

RO

Instalare

Descriere

Programe

Detergenți

Precauții

Întreținere

Anomalii

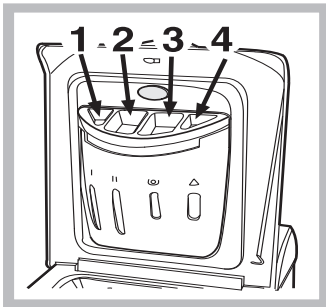
Asistență

Detergenți și rufe albe

RO

Sertarul detergenților

Un rezultat bun la spălare depinde și de dozarea corectă a detergentului: cu un exces de detergent nu se spală în mod mai eficace și se contribuie la în crustarea părților interne ale mașinii de spălat și poluarea mediului înconjurător.



Extrageți sertarul pentru detergenți și introduceți detergentul sau aditivul după cum urmează:

sertarul 1: Detergent pentru prespălare (sub formă de praf)

sertarul 2: Detergent pentru spălare (praf sau lichid)

Detergentul lichid se dozează cu vasul din dotare și se pune direct în coș.

! Nu folosiți detergenți pentru spălare manuală, deoarece formează prea multă spumă.

sertarul 3: Aditivi (soluție de înmuiat, etc.)



Când turnați lichidul de înmuiat în sertarul 3, fiți atenți să nu depășiți nivelul maxim indicat. Lichidul este preluat în mod automat de mașina, în timpul ultimei operații de limpezire. La sfârșitul programului, în sertarul 3 veți găsi puțină apă. Acest lucru servește la diluarea și preluarea lichidelor de înmuiat foarte dense sau concentrate. Dacă în sertarul 3 rămâne apă în cantitate mare (mai multă decât de obicei), dispozitivul de golire este înfundat. Pentru curățarea acestuia, citiți la pagina 58.

sertar adițional 4: Decolorant

Ciclu de albire

Decolorantul **tradițional** se folosește pentru țesături rezistente albe, iar cel **delicat** pentru țesături colorate, sintetice și pentru lână. Când dozați decolorantul nu depășiți nivelul „max” indicat pe sertarul 4 (vezi figura).

Pentru a efectua numai albirea rufelor, turnați înălbitorul în caseta 4, selectați programul de clătire

 și apăsați pe tasta funcției Anti-pată .

Prepararea rufelor

- Subdivizați rufe în funcție de:
 - tipul de țesătură / simbolul de pe etichetă.
 - culori: separați rufe colorate de cele albe.
- Goliți buzunarele și controlați nasturii.
- Nu depășiți valorile indicate, referitoare la greutatea rufelor uscate:
 - Țesături rezistente: max 5 kg
 - Țesături sintetice: max 2,5 kg
 - Țesături delicate: max 2 kg
 - Lână: max 1 kg

Cât cântăresc rufe?

- 1 cearceaf: 400-500 g.
- 1 față de pernă: 150-200 g.
- 1 față de masă: 400-500 g.
- 1 halat de baie: 900-1.200 g.
- 1 prosop: 150-250 g.

Rufe deosebite

Perdele: împăturiți-le și așezați-le într-o față de pernă sau într-un sac de tip plasă. Spălați-le singure fără a depăși o jumătate din încărcătură. Folosiți programul 6 care exclude centrifugarea.

Plăpumi și haine de vânt: dacă căptușeala este din fulgi de gâscă sau de rață se pot spăla în mașina de spălat. Întoarceți lucrurile pe dos și formați o încărcătură maximă de 2-3 kg, repetând clătirea o dată sau de două ori și utilizând centrifuga delicată.

Adidași și teniși: curățați-i de noroi. Se pot spăla împreună cu blugii și cu lucrurile rezistente, însă nu cu rufe albe.

Lână: pentru a obține cele mai bune rezultate, folosiți un detergent specific și nu depășiți 1 kg de rufe.

! Mașina de spălat a fost proiectată și construită conform normelor internaționale de protecție. Aceste avertizări sunt furnizate din motive de siguranță și trebuie să fie citite cu atenție.

Protecție generală

- Mașina de spălat trebuie să fie folosită doar de persoane adulte și respectând instrucțiunile din acest manual.
- Nu atingeți mașina când sunteți desculți sau cu mâinile sau picioarele ude sau umede.
- Nu scoateți fișa din priza de curent trăgând de cablu, ci trăgând de fișă.
- Nu atingeți apa de evacuare, care poate atinge temperaturi elevate.
- Nu forțați în nici un caz hubloul: s-ar putea deteriora mecanismul de siguranță care protejează deschiderile accidentale.
- În caz de defecțiune, nu umblați în nici un caz la mecanismele interne pentru a încerca să reparați mașina de spălat.
- Controlați mereu ca în apropierea mașinii aflate în funcțiune, să nu se afle copii.
- Dacă trebuie să fie deplasată, faceți acest lucru în două sau trei persoane, cu maximă atenție. Niciodată nu deplasați mașina singuri deoarece aceasta este foarte grea.
- Înainte de a introduce rufe, controlați ca în interior să fie goală.

Aruncarea reziduurilor

- Aruncarea materialelor de ambalare: respectați normele locale, în acest fel ambalajele vor putea fi reutilizate.
- Aruncarea mașinii de spălat vechi: înainte de a o arunca, faceți-o inutilizabilă tăindu-i cablul de alimentare electrică și scoțându-i hubloul.

Protecția și respectarea mediului înconjurător

Economisirea de detergent, apă, energie și timp

- Pentru a economisi detergent, apă, timp folosiți încărcătura maximă.
O încărcare totală în locul a două jumătăți, permite economisirea de până la 50% din energie.
- Prespălarea este necesară doar pentru rufe foarte murdare. Evitarea acesteia permite economisirea de detergent, timp, apă și între 5 și 15% din energie.
- Tratănd petele cu o substanță pentru îndepărtarea acestora și lăsându-le la înmuiat înainte se spălare, reduce necesitatea de a spăla la temperaturi mari. Un program la 60°C în locul unuia la 90°C sau unul la 40°C în locul unuia la 60°C, permit economisirea unui procent de până la 50% de energie.
- Dozați bine detergentul în funcție de duritatea apei, de gradul de murdărie și de cantitatea de rufe, pentru a evita risipe și pentru a proteja mediul înconjurător: deși sunt biodegradabili, detergenții conțin elemente care alterează echilibrul naturii. În afară de aceasta evitați pe cât posibil aditivul de înmuiere.
- Efectuând spălări începând de seara și până la primele ore ale dimineții, se colaborează pentru reducerea sarcinii de absorbire a întreprinderilor electrice. Opțiunea Delay Timer (vezi pag. 55) ajută mult la organizarea spălărilor în acest sens.
- Dacă rufe trebuie uscate într-un uscător, selectați o viteză mare pentru centrifugă. Cantitatea redusă de apă permite economisirea de timp și energie electrică la programul de uscare.

RO

Instalare

Descriere

Programe

Detergenți

Precauții

Întreținere

Anomalii

Asistență

Întreținere și îngrijire

RO

Oprirea apei și a curentului electric

- Închideți robinetul de apă după fiecare spălare. Se limitează astfel uzare instalației hidraulice a mașinii de spălat și se elimină pericolul scurgerilor.
- Scoateți fișa din priză de curent atunci când curățați mașina de spălat și când se efectuează lucrări de întreținere.

Curățarea mașinii de spălat

Partea externă și părțile din cauciuc pot fi curățate cu o cârpă înmuiată în apă caldă și săpun. Nu folosiți solvenți sau substanțe abrazive.

Curățarea sertarului pentru detergenți

Scoateți sertarul ridicându-l și trăgându-l spre exterior (vezi figura):
Spălați-l cu apă; această curățare trebuie efectuată frecvent.

Îngrijirea hubloului și a coșului

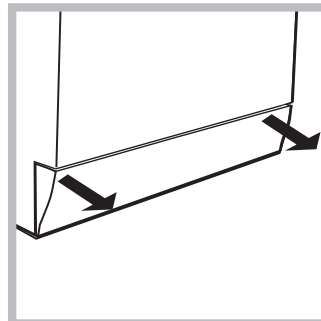
- Lăsați mereu hubloului întredeschis pentru a evita formarea de mirosuri urâte.

Curățarea pompei

Mașina de spălat este echipată cu o pompă autocurățătoare care nu are nevoie de întreținere. Se poate întâmpla însă ca obiecte mici (monede, nasturi) să cadă în precamera care protejează pompa, situată în partea inferioară a acesteia.

! Verificați ca ciclul de spălare să fie terminat și scoateți din priză.

Pentru a scoate obiectele care au căzut în anticamera coșului:



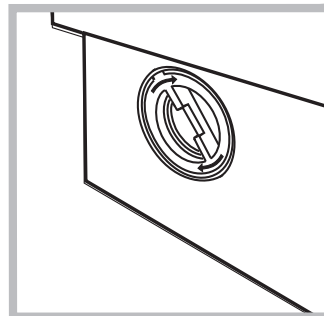
1. scoateți piesa din partea anterioară și inferioară a mașinii de spălat trăgând de marginile ei (vezi fig.)

2. deșurubați capacul rotindu-l în sens invers (vezi figura): este normal să iasă puțină apă;

3. curățați cu grijă interiorul;

4. montați din nou capacul;

5. montați din nou panoul verificând, înainte de a-l împinge spre mașină, de a fi introdus cârligele în orificiile respective.



Controlarea tubului de alimentare cu apă

Controlați tubul de alimentare cel puțin o dată pe an. Dacă prezintă crăpături sau fisuri trebuie înlocuit: pe parcursul spălărilor, presiunile puternice ar putea provoca crăpături neașteptate.

! Nu folosiți tuburi deja folosite.

Curățarea sertarului de detergenți

Demontarea:

Apăsăți ușor pe tasta din partea de jos a sertarului și ridicați-l (fig. 1).



Fig. 1

Curățarea:

Spălați-l sub jetul de la robinet (fig. 3) cu o periuță de dinți; demontați sifoanele din partea superioară a compartimentelor 1 și 2 (fig. 4) și asigurați-vă că nu sunt înfundate – în caz contrar, curățați-le.

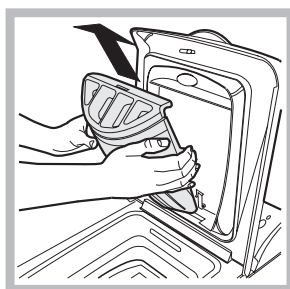


Fig. 2

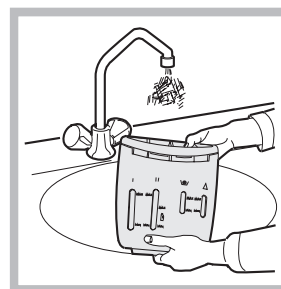


Fig. 3

Remontarea:

Amintiți-vă să montați la loc sifoanele, după care poziționați sertarul în locașul său (fig. 4, 2, 1).

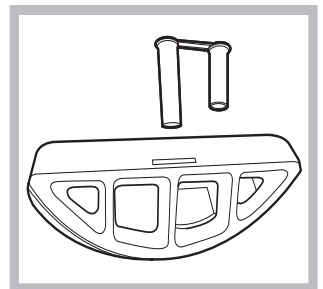


Fig. 4

Se poate întâmpla ca mașina de spălat să nu funcționeze. Înainte de a telefona la Asistență (vezi pag. 60), verificați dacă această problemă nu poate fi remediată de dvs., astfel:

Anomalii:

Mașina de spălat nu se aprinde.

Ciclul de spălare nu pornește.

Mașina de spălat nu încarcă apă (Pe display este vizualizat scris H₂O).

Mașina de spălat încarcă și evacuează apă continuu.

Mașina de spălat nu evacuează sau nu centrifughează.

Mașina de spălat vibrează foarte mult pe timpul centrifugării.


Mașina de spălat pierde apă.

În caz de anomalie apare un cod de eroare, de exemplu: F-01

Se formează prea multă spumă.

Cauze posibile / Rezolvare:

- Fișa nu este introdusă sau nu a fost suficient introdusă în priza de curent astfel încât să existe conexiune electrică.
- În casă nu este curent electric.

- Hubloul nu este bine închis (pe display se vizualizează scris "Door").
- Butonul  nu a fost apăsat.
- Butonul START/RESET nu a fost apăsat.
- Robinetul de apă nu este deschis
- A fost fixată o întârziere de pornire (Delay Timer, vezi pag. 55).

- Tubul de alimentare cu apă nu este conectat la robinet.
- Tubul este îndoit.
- Robinetul de apă nu este deschis
- În casă lipsește apa.
- Nu este presiune suficientă.
- Butonul START/RESET nu a fost apăsat.

- Tubul de evacuare nu a fost instalat la o distanță cuprinsă între 65 și 100 cm de pământ (vezi pag. 51).
- Extremitatea tubului de evacuare este cufundată în apă (vezi pag. 51).
- Evacuarea din perete nu are răsuflare pentru aer.

Dacă după aceste verificări problema nu se rezolvă, închideți robinetul de apă, opriți mașina de spălat și chemați Asistența. Dacă locuința se află la ultimele etaje ale unui edificiu, este posibil să aibă loc fenomene de sifonare, motiv pentru care mașina de spălat încarcă și evacuează apă încontinuu. Pentru a elimina acest inconvenient, se găsesc în comerț supape anti-sifonare.

- Programul nu prevede evacuarea apei: cu unele programe este necesar să se pornească manual (vezi pag. 54).
- Este activă opțiunea Calca mai ușor: pentru a completa programul apăsați pe butonul START/RESET (vezi pag. 55).
- Tubul de evacuare este îndoit (vezi pag. 51).
- Conducta de evacuare este înfundată.

- Coșul, în momentul instalării, nu a fost deblocat în mod corect (vezi pag. 50).
- Mașina de spălat nu se află în plan orizontal (vezi pag. 50).
- Mașina de spălat este fixată foarte puternic între mobilă și zid (vezi pag. 50).

- Tubul de alimentare cu apă nu este bine înșurubat (vezi pag. 50).
- Sertarul detergenților este înfundat (pentru a-l curăța vezi pag. 58).
- Tubul de evacuare nu este fixat bine (vezi pag. 51).

- Opriți mașina și scoateți ștecherul din priză; așteptați aprox. 1 minut înainte de a o reporni.
- Dacă nu obțineți nici un rezultat, apăsați la Centrul de Service pentru asistență.

- Detergentul nu este specific pentru mașina de spălat (trebuie să fie scris „pentru mașina de spălat”, „de mână sau în mașina de spălat”, sau ceva asemănător).
- Dozajul a fost excesiv.

RO

Instalare

Descriere

Programe

Detergenți

Precauții

Întreținere

Anomalii

Asistență

Înainte de a lua legătura cu Asistența:

- Verificați dacă anomalia poate fi rezolvată de dvs. (vezi pag. 59);
- Porniți din nou programul pentru a controla dacă inconvenientul a fost eliminat;
- În caz contrar, vă recomandăm să apelați la Unitatea de Service.

! Nu apelați niciodată la tehnicieni neautorizați.

Comunicați:

- tipul de anomalie;
- modelul mașinii (Mod.);
- numărul de serie (S/N).

Aceste informații se află pe tăblița aplicată în partea posterioară a mașinii de spălat.



Italiano

WITE 87

Sommario

Installazione, 62-63

Disimballo e livellamento, 62
Collegamenti idraulici ed elettrici, 62-63
Primo ciclo di lavaggio, 63
Dati tecnici, 63

Descrizione della lavabiancheria, 64-65

Pannello di controllo, 64
Come aprire e chiudere il cestello, 64
Display, 65
Programma "MEMO", 65

Avvio e Programmi, 66

In breve: avviare un programma, 66
Tabella dei programmi, 66

Personalizzazioni, 67

Regolare la centrifuga, 67
Regolare il delay timer, 67
Regolare la temperatura, 67
Funzioni, 67

Detersivi e biancheria, 68

Cassetto dei detersivi, 68
Ciclo candeggio, 68
Preparare la biancheria, 68
Capi particolari, 68

Precauzioni e consigli, 69

Sicurezza generale, 69
Smaltimento, 69
Risparmiare e rispettare l'ambiente, 69

Manutenzione e cura, 70

Escludere acqua e corrente elettrica, 70
Pulire la lavabiancheria, 70
Pulire il cassetto dei detersivi, 70
Curare oblò e cestello, 70
Pulire la pompa, 70
Controllare il tubo di alimentazione dell'acqua, 70
Come pulire la vaschetta detersivi, 70

Anomalie e rimedi, 71

Assistenza, 72

Assistenza Attiva 7 giorni su 7, 72

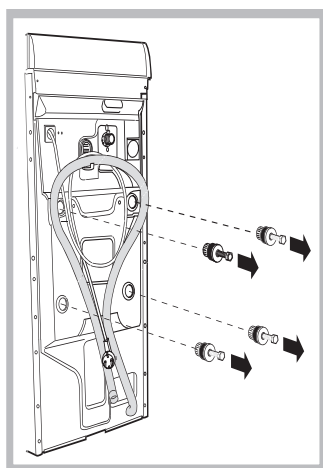
Installazione

! È importante conservare questo libretto per poterlo consultare in ogni momento. In caso di vendita, di cessione o di trasloco, assicurarsi che resti insieme alla lavabiancheria per informare il nuovo proprietario sul funzionamento e sui relativi avvertimenti.

! Leggere attentamente le istruzioni: ci sono importanti informazioni sull'installazione, sull'uso e sulla sicurezza.

Disimballo e livellamento

Disimballo



1. Disimballare la lavabiancheria.
2. Controllare che la lavabiancheria non abbia subito danni nel trasporto. Se fosse danneggiata non collegarla e contattare il rivenditore.
3. Rimuovere le quattro viti di protezione per il trasporto e il gommino con il relativo distanziale, posti nella parte posteriore (vedi figura).

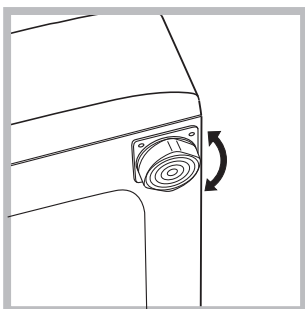
4. Chiudere i fori con i tappi di plastica in dotazione.
5. Conservare tutti i pezzi: qualora la lavabiancheria debba essere trasportata, dovranno essere rimontati.

Attenzione. In caso di riutilizzo le viti più corte devono essere montate in alto.

! Gli imballaggi non sono giocattoli per bambini.

Livellamento

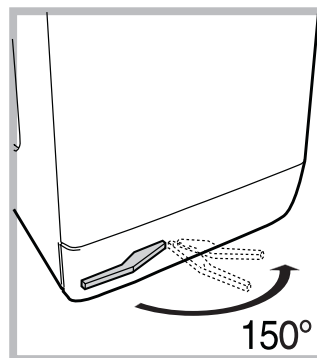
1. Installare la lavabiancheria su un pavimento piano e rigido, senza appoggiarla a muri, mobili o altro.



2. Se il pavimento non fosse perfettamente orizzontale, compensare le irregolarità svitando o avvitando i piedini anteriori (vedi figura); l'angolo di inclinazione, misurato sul piano di lavoro, non deve superare i 2°.

Un accurato livellamento dà stabilità alla macchina ed evita vibrazioni, rumori e spostamenti durante il funzionamento. In caso di moquette o di un tappeto, regolare i piedini in modo da conservare sotto la lavabiancheria uno spazio sufficiente per la ventilazione.

Collocazione, spostamenti.

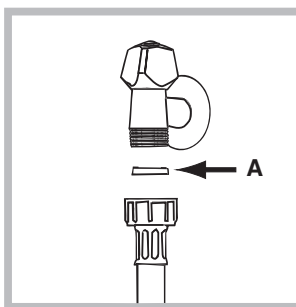


La tua lavatrice è dotata di uno speciale carrello con ruote retrattili puoi facilmente spostarla. Per far scendere questo carrello e poterla così muovere senza sforzo, è necessario tirare la leva nera, situata in basso a sinistra, sotto lo zoccolo. Ultimato lo spostamento riportarla nella

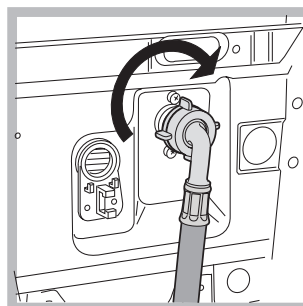
posizione iniziale. La macchina a questo punto è saldamente collocata (vedi figura sopra).

Collegamenti idraulici ed elettrici

Collegamento del tubo di alimentazione dell'acqua



1. Inserire la guarnizione A nell'estremità del tubo di alimentazione e avvitarlo a un rubinetto d'acqua fredda con bocca filettata da 3/4 gas (vedi figura). Prima di allacciare, far scorrere l'acqua finché non sia limpida.

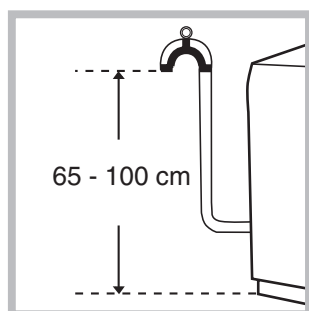


2. Collegare il tubo di alimentazione alla lavabiancheria avvitandolo all'apposita presa d'acqua, nella parte posteriore in alto a destra (vedi figura).
3. Fare attenzione che nel tubo non ci siano né pieghe né strozzature.

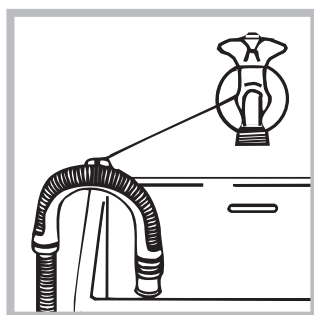
! La pressione idrica del rubinetto deve essere compresa nei valori della tabella Dati tecnici (vedi pagina a fianco).

! Se la lunghezza del tubo di alimentazione non fosse sufficiente, rivolgersi a un negozio specializzato o a un tecnico autorizzato.

Collegamento del tubo di scarico



Collegare il tubo di scarico, senza piegarlo, a una condotta di scarico o a uno scarico a muro posti tra 65 e 100 cm da terra;



oppure appoggiarlo al bordo di un lavandino o di una vasca, legando la guida in dotazione al rubinetto (vedi figura). L'estremità libera del tubo di scarico non deve rimanere immersa nell'acqua.

! È sconsigliato usare tubi di prolunga; se indispensabile, la prolunga deve avere lo stesso diametro del tubo originale e non superare i 150 cm.

Collegamento elettrico

Prima di inserire la spina nella presa della corrente, accertarsi che:

- la presa abbia la messa a terra e sia a norma di legge;
- la presa sia in grado di sopportare il carico massimo di potenza della macchina, indicato nella tabella Dati tecnici (vedi a fianco);
- la tensione di alimentazione sia compresa nei valori indicati nella tabella Dati tecnici (vedi a fianco);
- la presa sia compatibile con la spina della lavabiancheria. In caso contrario sostituire la presa o la spina.

! La lavabiancheria non va installata all'aperto, nemmeno se lo spazio è riparato, perché è molto pericoloso lasciarla esposta a pioggia e temporali.

! A lavabiancheria installata, la presa della corrente deve essere facilmente raggiungibile.

! Non usare prolunghe e multiple.

! Il cavo non deve subire piegature o compressioni.

! Il cavo di alimentazione deve essere sostituito solo da tecnici autorizzati.

Attenzione! L'azienda declina ogni responsabilità qualora queste norme non vengano rispettate.

Primo ciclo di lavaggio

Dopo l'installazione, prima dell'uso, effettuare un ciclo di lavaggio con detersivo e senza biancheria impostando il programma a 90°C senza prelavaggio.

! È importante conservare questo libretto per poterlo consultare in ogni momento. In caso di vendita, di cessione o di trasloco, assicurarsi che resti insieme alla lavabiancheria per informare il nuovo proprietario sul funzionamento e sui relativi avvertimenti.

! Leggere attentamente le istruzioni: ci sono importanti informazioni sull'installazione, sull'uso e sulla sicurezza.

Dati tecnici

Modello	WITE 87
Dimensioni	larghezza cm 40 altezza cm 85 profondità cm 60
Capacità	da 1 a 5 kg
Collegamenti elettrici	tensione a 220/230 Volt 50 Hz potenza massima assorbita 1850 W
Collegamenti idrici	pressione massima 1 MPa (10 bar) pressione minima 0,05 MPa (0,5 bar) capacità del cesto 42 litri
Velocità di centrifuga	sino a 800 giri al minuto
Programmi di controllo secondo la norma IEC456	programma 2; temperatura 60°C; effettuato con 5 kg di carico.

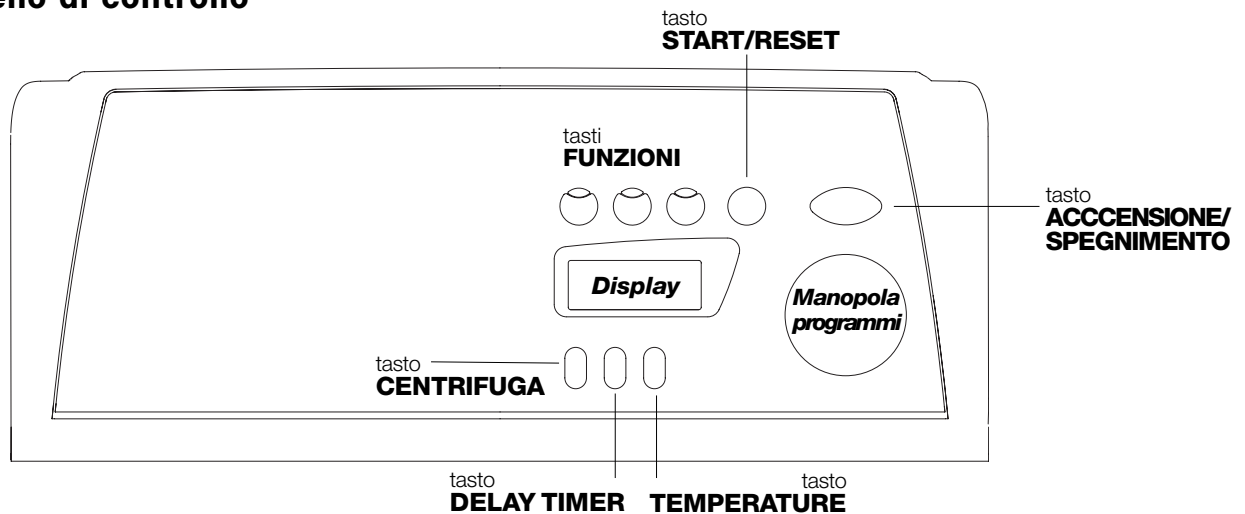


Questa apparecchiatura è conforme alle seguenti Direttive Comunitarie:
- 73/23/CEE del 19/02/73 (Bassa Tensione) e successive modificazioni
- 89/336/CEE del 03/05/89 (Compatibilità Elettromagnetica) e successive modificazioni
- 2002/96/CE

—
Installazione
Descrizione
Programmi
Detersivi
Precauzioni
Manutenzione
Anomalie
Assistenza

Descrizione della lavabiancheria

Pannello di controllo



Cassetto dei detersivi per caricare detersivi e additivi (vedi pag. 68).

Tasto **CENTRIFUGA (*)** per regolare la velocità di centrifuga fino a escluderla (vedi pag. 67).

Tasto **DELAY TIMER** per ritardare la partenza del programma impostato fino ad un massimo di 24 ore (vedi pag. 67).

Tasto **TEMPERATURA** per modificare la temperatura di lavaggio (vedi pag. 67).

Display per programmare la lavabiancheria e seguire l'avanzamento dei cicli di lavaggio (vedi pag. a fianco).

Tasti **FUNZIONE** per selezionare le funzioni disponibili. Il tasto relativo alla funzione selezionata rimarrà acceso.

Tasto **START/RESET** per avviare i programmi o annullare quanto erroneamente impostato.

Tasto **ACCENSIONE/SPEGNIMENTO** per accendere e spegnere la lavabiancheria.

Manopola per scegliere i programmi. Durante il programma la manopola resta ferma.

Come aprire e chiudere il cestello

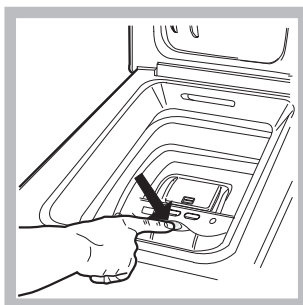
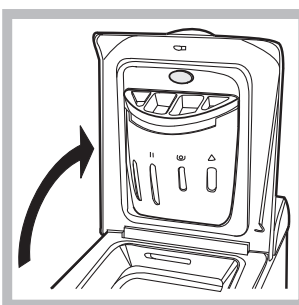


Fig. 1

Fig. 2

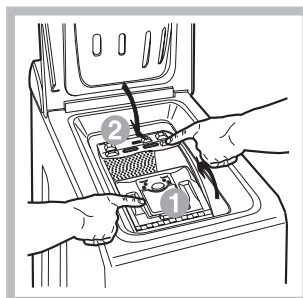
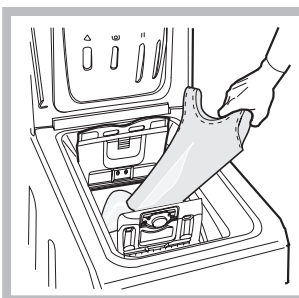


Fig. 3

Fig. 4

A) Apertura coperchio superiore (Fig. 1):

Sollevare il coperchio esterno ed aprirlo completamente.

B) Apertura cestello (Soft opening):

Con un dito premere il pulsante indicato nella fig. 2 ed il cestello si aprirà delicatamente.

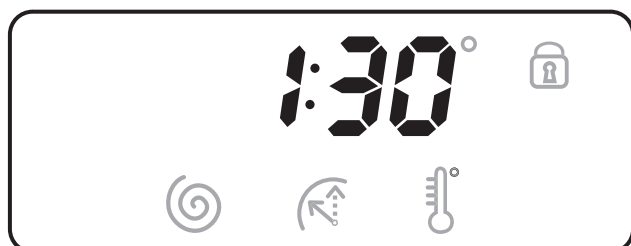
C) Introduzione biancheria (Fig. 3).

D) Chiusura (Fig. 4).

- richiudere bene il cestello abbassando prima lo sportello anteriore ed appoggiandovi quindi quello posteriore;
- assicurarsi quindi che i ganci dello sportello anteriore siano perfettamente alloggiati nella sede dello sportello posteriore;
- dopo aver sentito il "clac" dell'avvenuto aggancio, esercitare una lieve pressione verso il basso su entrambi gli sportelli che non devono sganciarsi;
- chiudere infine il coperchio esterno.

Display

Oltre a essere un utile strumento per programmare la macchina (vedi pag. 67), il display fornisce informazioni sul ciclo di lavaggio.



Dopo aver premuto il tasto START/RESET per avviare il programma, sul display viene visualizzato il tempo che manca alla fine del ciclo. Nel caso si sia impostato un ritardo sull'ora di avvio (Delay Timer, vedi pag.67), questo verrà visualizzato.

Oblò bloccato:


Il simbolo acceso indica che l'oblò è bloccato per impedire aperture accidentali. Per evitare danni è necessario attendere che il simbolo si spenga prima di aprire l'oblò.


Alla fine del programma viene visualizzata la scritta END.

! In caso di anomalia compare un codice di errore, per esempio: F-01, (vedi pag 72).

Programma "MEMO"

Questo programma permette di memorizzare il ciclo di lavaggio preferito o più utilizzato.

È sufficiente impostare il programma desiderato e dopo averlo avviato ruotare la MANOPOLA sulla posizione , automaticamente il ciclo verrà memorizzato e sul display apparirà la scritta MEMO lampeggiante per qualche secondo.

In seguito è possibile avviare il ciclo "MEMO" semplicemente ruotando la MANOPOLA sulla posizione ; si potranno visualizzare i valori di temperatura/centrifuga/ delay timer premendo i tasti corrispondenti, si potranno anche modificare ma questa variazione sarà valida solo per il programma in corso e non verrà memorizzata nel ciclo "MEMO".

Se si vuole memorizzare un nuovo ciclo di lavaggio ripetere le operazioni sopraindicate.

(*)

Per evitare vibrazioni eccessive prima di ogni centrifuga la macchina distribuisce il carico in modo uniforme, questo avviene effettuando delle rotazioni continue del cesto ad una velocità leggermente superiore a quella di lavaggio. Quando nonostante ripetuti tentativi il carico non viene perfettamente distribuito, la macchina effettua la centrifuga ad una velocità inferiore a quella prevista.

In presenza di eccessivo sbilanciamento la macchina effettua la distribuzione al posto della centrifuga.

Gli eventuali tentativi di bilanciamento possono allungare la durata totale del ciclo fino ad un massimo di 10 minuti.

—

Installazione

Descrizione

Programmi

Detergenti

Precauzioni

Manutenzione

Anomalie

Assistenza

Avvio e Programmi

In breve: avviare un programma

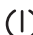
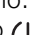




1. Accendere la lavabiancheria premendo il tasto .
2. Caricare la biancheria, versare detersivo e additivi (vedi pag. 68) e chiudere gli sportelli e coperchio.
3. Impostare con la manopola PROGRAMMI il programma desiderato. La durata prevista del programma viene mostrata sul display. Temperatura e velocità di centrifuga sono predisposte automaticamente secondo il programma scelto, (per cambiarlo, vedi pag. 67)
4. Impostare una funzione (vedi pag. 67).
5. Avviare il programma premendo il tasto START/RESET. Per annullare il ciclo impostato premere il tasto START/RESET per 2 secondi.
6. Al termine del programma compare la parola "End" sul display. Estrarre la biancheria e lasciare lo sportello socchiuso per far asciugare il cestello.
7. Spegnere la lavabiancheria premendo il tasto .

Tabella dei programmi

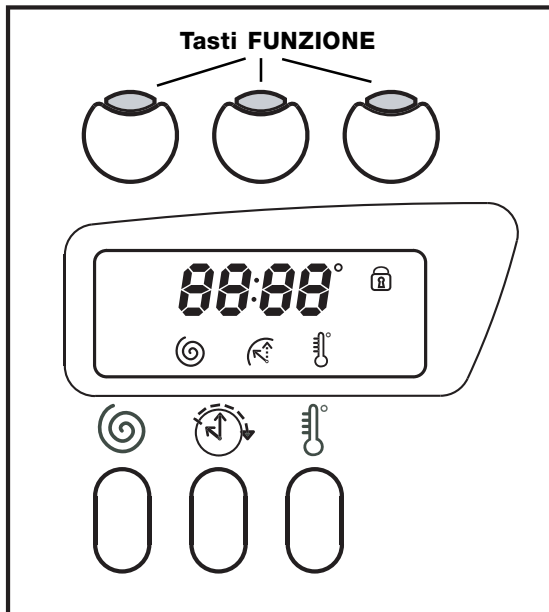
Natura dei tessuti e dello sporco	Programmi	Temperatura	Detersivo		Ammorbidente	Opzione Antimacchia / Candeggina	Durata del ciclo (minuti)	Descrizione del ciclo di lavaggio
			prelav.	lavag.				
Standard								
Cotone: Bianchi estremamente sporchi (lenzuola, tovaglie, ecc.)	1	90°C	•	•	•		137	Prelavaggio, lavaggio, risciacqui, centrifughe intermedie e finale
Cotone: Bianchi estremamente sporchi (lenzuola, tovaglie, ecc.)	2	90°C		•	•	Delicata / Tradizionale	129	Lavaggio, risciacqui, centrifughe intermedie e finale
Cotone: Bianchi e colorati resistenti molto sporchi	2	60°C		•	•	Delicata / Tradizionale	139	Lavaggio, risciacqui, centrifughe intermedie e finale
Cotone: Bianchi e colorati delicati molto sporchi	2	40°C		•	•	Delicata / Tradizionale	131	Lavaggio, risciacqui, centrifughe intermedie e finale
Cotone: Bianchi poco sporchi e colori delicati (camice, maglie, ecc.)	3	40°C		•	•	Delicata / Tradizionale	78	Lavaggio, risciacqui, centrifughe intermedie e finale
Sintetici: Colori resistenti molto sporchi (biancheria per neonati, ecc.)	4	60°C		•	•	Delicata	79	Lavaggio, risciacqui, anti piega o centrifuga delicata
Sintetici: Colori resistenti molto sporchi (biancheria per neonati, ecc.)	4	40°C		•	•	Delicata	65	Lavaggio, risciacqui, anti piega o centrifuga delicata
Lana	5	40°C		•	•		51	Lavaggio, risciacqui, anti piega e centrifuga delicata
Tessuti molto delicati (tende, seta, viscosa, ecc.)	6	30°C		•	•		52	Lavaggio, risciacqui, anti piega o scarico
Time 4 you								
Cotone: Bianchi e colorati resistenti molto sporchi	7	60°C		•	•		60	Lavaggio, risciacqui, centrifughe intermedie e finale
Cotone: Bianchi poco sporchi e colori delicati (camice, maglie, ecc.)	8	40°C		•	•		50	Lavaggio, risciacqui, centrifughe intermedie e finale
Sintetici: Colori delicati (biancheria di tutti i tipi leggermente sporca)	9	40°C		•	•		40	Lavaggio, risciacqui, centrifuga delicata
Sintetici: Colori delicati (biancheria di tutti i tipi leggermente sporca)	10	30°C		•	•		30	Lavaggio, risciacqui, e centrifuga delicata
Sport								
Scarpe sportive (Max. 2 paia)	11	30°C		•	•		50	Lavaggio a freddo (senza detersivo), lavaggio, risciacqui, e centrifuga delicata
Tessuti per abbigliamento sportivo (Tute, calzoncini, ecc.)	12	30°C		•	•		60	Lavaggio, risciacqui, centrifughe intermedie e finale
MEMO		Permette di memorizzare un qualsiasi ciclo di lavaggio (vedi pag. 65)						
PROGRAMMI PARZIALI								
Risciacquo					•	Delicata / Tradizionale		Risciacqui e centrifuga
Centrifuga								Scarico e centrifuga
Scarico								Scarico

Note

- Per i programmi 7 e 8 è consigliabile non superare un carico di biancheria di 3,5 kg.
- Per il programma 12 è consigliabile non superare un carico di biancheria di 2 kg.
- Per la descrizione dell'anti piega: vedi Stira meno, pagina a fianco. I dati riportati nella tabella hanno valore indicativo.

Programma speciale

Refresh (programma 10 per Sintetici) è studiato per lavare capi leggermente sporchi in poco tempo: dura solo 30 minuti e fa così risparmiare energia e tempo. Impostando il programma (10 a 30°C) è possibile lavare insieme tessuti di diversa natura (esclusi lana e seta) con un carico massimo di 3 kg. Si consiglia l'uso di detersivo liquido.



Regolare la centrifuga

Se all'accensione della macchina la MANOPOLA è posizionata su un programma che prevede la centrifuga, l'icona compare fissa. Premendo il tasto viene visualizzata la velocità di centrifuga massima consentita per il programma impostato e l'icona lampeggia. Premendolo ancora i valori si abbassano fino a OFF, che indica l'esclusione della centrifuga (premere ancora per tornare al valore più alto); fermarsi sulla velocità desiderata, dopo 2 secondi circa la selezione viene accettata: il simbolo resta fisso. La regolazione della centrifuga è attiva con tutti i programmi tranne 6 e Scarico.

Regolare il Delay Timer

Premendo il tasto sul display viene visualizzata la scritta OFF e il simbolo relativo lampeggia. Premendo ancora il tasto compare "1h" cioè ritardo di un'ora e così via fino a 24h; fermarsi sul "ritardo" desiderato, dopo 2 secondi circa la selezione viene accettata; dopodichè sul display viene visualizzato il tempo previsto per il programma impostato e il simbolo resta acceso. Premendo ora il tasto START/RESET ricompare il valore del "ritardo" selezionato che diminuisce ogni ora fino alla partenza del ciclo, in questa fase si può modificare il valore del "ritardo" solo diminuendolo. La regolazione del Delay Timer è attiva con tutti i programmi.

Regolare la temperatura

Se all'accensione della macchina la MANOPOLA è posizionata su un programma che prevede la regolazione della temperatura, l'icona compare fissa. Premendo il tasto viene visualizzata la temperatura massima consentita per il programma impostato e l'icona lampeggia. Premendolo ancora la temperatura si abbassa fino a OFF, che indica il lavaggio a freddo (premere ancora per tornare al valore più alto); fermarsi sul valore desiderato, dopo 2 secondi circa la selezione viene accettata: il simbolo resta fisso.

La regolazione della temperatura è attiva con tutti i programmi di lavaggio.

Funzioni

Le varie funzioni di lavaggio previste dalla lavabiancheria permettono di ottenere la pulizia e il bianco desiderati. Per attivare le funzioni:

1. premere il tasto relativo alla funzione desiderata, secondo la tabella sottostante;
2. l'accensione del tasto relativo segnala che la funzione è attiva.

Nota: Il lampeggio veloce del tasto indica che la funzione relativa non è selezionabile per il programma impostato. Nel caso venga impostata una funzione incompatibile con un'altra precedentemente selezionata rimarrà attiva solo l'ultima scelta.

Funzioni	Effetto	Note per l'uso	Attiva con i programmi:
 Antimacchia	Ciclo di candeggio adatto a eliminare le macchie più resistenti.	Ricordarsi di versare la candeggina nella vaschetta 4 (vedi pag. 68). Non è compatibile con l'opzione STIRA MENO.	2, 3, 4 Risciacquo.
 Extra Risciacquo	Aumenta l'efficacia del risciacquo.	E' consigliata con lavabiancheria a pieno carico o con dosi elevate di detersivo.	1, 2, 3, 4, 7, 8, 9, 11, 12 Risciacquo.
 Stira meno	Riduce le pieghe sui tessuti, agevolando la stiratura.	Impostando questa funzione, i programmi 4, 5, 6 si interromperanno con il bucato in ammollo (Antipiega) e la spia relativa lampeggerà: - per completare il ciclo premere il tasto START/RESET; - per effettuare solo lo scarico posizionare la manopola sul simbolo relativo e premere il tasto START/RESET. Non è compatibile con l'opzione ANTIMACCHIA.	3, 4, 5, 6, 7, 8, 9, Risciacquo.

Installazione

Descrizione

Programmi

Detersivi

Precauzioni

Manutenzione

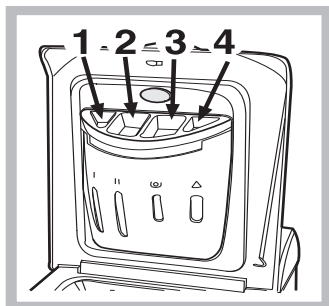
Anomalie

Assistenza

Detersivi e biancheria

Cassetto dei detersivi

Il buon risultato del lavaggio dipende anche dal corretto dosaggio del detersivo: eccedendo non si lava in modo più efficace e si contribuisce a incrostare le parti interne della lavabiancheria e a inquinare l'ambiente.



Alzare il coperchio al di sotto del quale è collocato il cassetto dei detersivi e inserire il detersivo o l'additivo come segue.

vaschetta 1: Detersivo per prelavaggio (in polvere)

vaschetta 2: Detersivo per lavaggio (in polvere o liquido)

E' opportuno immettere direttamente il detersivo liquido in vasca a mezzo dell'apposita pallina.

! Non usare detersivi per il lavaggio a mano, perché formano troppa schiuma.

vaschetta 3: Additivi (ammorbidente, ecc.)

Quando si versa l'ammorbidente nel comparto 3, far attenzione a non superare il livello "max" indicato. L'ammorbidente viene automaticamente immesso in macchina durante l'ultimo risciacquo. Al termine del programma di lavaggio nello scomparto 3 rimane un residuo d'acqua. Questa serve per l'immissione di ammorbidenti molto densi, ovvero per diluire quelli concentrati. Se nel comparto 3 rimanesse più acqua del normale, ciò significa che il dispositivo di svuotamento è intasato. Per la pulizia vedi pag.70.

vaschetta 4: Candeggina

Ciclo candeggio

La candeggina **tradizionale** si usa per i tessuti resistenti bianchi, quella **delicata** per i tessuti colorati, i sintetici e per la lana.

Nel dosare la candeggina non superare il livello "max" indicato sulla vaschetta 4 (vedi figura).

Per effettuare solo il candeggio versare la candeggina nella vaschetta 4, impostare il programma Risciacquo

e premere il pulsante-funzione Anti macchia

Preparare la biancheria

- Suddividere la biancheria secondo:
 - il tipo di tessuto / il simbolo sull'etichetta.
 - i colori: separare i capi colorati da quelli bianchi.
- Vuotare le tasche e controllare i bottoni.
- Non superare i valori indicati, riferiti al peso della biancheria asciutta:

Tessuti resistenti: max 5 kg

Tessuti sintetici: max 2,5 kg

Tessuti delicati: max 2 kg

Lana: max 1 kg

Quanto pesa la biancheria?

1 lenzuolo 400-500 gr.

1 federa 150-200 gr.

1 tovaglia 400-500 gr.

1 accappatoio 900-1.200 gr.

1 asciugamano 150-250 gr.

Capi particolari

Tende: piegarle e sistemarle dentro una federa o un sacchetto a rete. Lavarle da sole senza superare il mezzo carico. Utilizzare il programma 6 che esclude in automatico la centrifuga.

Piumini e giacche a vento: se l'imbottitura è d'oca o d'anatra si possono lavare nella lavabiancheria. Rivoltare i capi e fare un carico massimo di 2-3 kg, ripetendo il risciacquo una o due volte e utilizzando la centrifuga delicata.

Scarpe da tennis: pulirle dal fango. Si possono lavare con i jeans e i capi resistenti, ma non con i capi bianchi.

Lana: per ottenere i migliori risultati utilizzare un detersivo specifico e non superare 1 kg di carico.

! La lavabiancheria è stata progettata e costruita in conformità alle norme internazionali di sicurezza. Queste avvertenze sono fornite per ragioni di sicurezza e devono essere lette attentamente.

Sicurezza generale

- Questo apparecchio è stato concepito esclusivamente per un uso di tipo domestico.
- La lavabiancheria deve essere usata solo da persone adulte e secondo le istruzioni riportate in questo libretto.
- Non toccare la macchina a piedi nudi o con le mani o i piedi bagnati o umidi.
- Non staccare la spina dalla presa della corrente tirando il cavo, bensì afferrando la spina.
- Non toccare l'acqua di scarico, che può raggiungere temperature elevate.
- Non forzare in nessun caso l'oblò: potrebbe danneggiarsi il meccanismo di sicurezza che protegge da aperture accidentali.
- In caso di guasto, in nessun caso accedere ai meccanismi interni per tentare una riparazione.
- Controllare sempre che i bambini non si avvicinino alla macchina in funzione.
- Se dev'essere spostata, lavorare in due o tre persone con la massima attenzione. Mai da soli perché la macchina è molto pesante.
- Prima di introdurre la biancheria controlla che il cestello sia vuoto.

Smaltimento

- Smaltimento del materiale di imballaggio: attenersi alle norme locali, così gli imballaggi potranno essere riutilizzati
- **Dismissione degli elettrodomestici**
La direttiva Europea 2002/96/CE sui rifiuti di apparecchiature elettriche ed elettroniche (RAEE), prevede che gli elettrodomestici non debbano essere smaltiti nel normale flusso dei rifiuti solidi urbani. Gli apparecchi dismessi devono essere

raccolti separatamente per ottimizzare il tasso di recupero e riciclaggio dei materiali che li compongono ed impedire potenziali danni per la salute e l'ambiente.

Il simbolo del cestino barrato è riportato su tutti i prodotti per ricordare gli obblighi di raccolta separata.

Per ulteriori informazioni, sulla corretta dismissione degli elettrodomestici, i detentori potranno rivolgersi al servizio pubblico preposto o ai rivenditori

Risparmiare e rispettare l'ambiente

Tecnologia a servizio dell'ambiente: risparmiare detersivo, acqua, energia e tempo

- Per non sprecare risorse bisogna utilizzare la lavabiancheria con il massimo carico. Un carico pieno al posto di due mezzi fa risparmiare fino al 50% di energia.
- Il prelavaggio è necessario solo per biancheria molto sporca. Evitarlo fa risparmiare detersivo, tempo, acqua e tra il 5 e il 15% di energia.
- Trattando le macchie con uno scioglimacchia o lasciandole in ammollo prima del lavaggio, si riduce la necessità di lavare ad alte temperature. Un programma a 60°C invece di 90°C o uno a 40°C invece di 60°C, fa risparmiare fino al 50% di energia.
- Dosare bene il detersivo in base alla durezza dell'acqua, al grado di sporco e alla quantità di biancheria evita sprechi e protegge l'ambiente: pur biodegradabili, i detersivi contengono elementi che alterano l'equilibrio della natura. Inoltre evitare il più possibile l'ammorbidente.
- Effettuando i lavaggi dal tardo pomeriggio fino alle prime ore del mattino si collabora a ridurre il carico di assorbimento delle aziende elettriche. La funzione Delay Timer (vedi pag. 67) aiuta molto a organizzare i lavaggi in tal senso.
- Se il bucato deve essere asciugato in un asciugatore, selezionare un'alta velocità di centrifuga. Poca acqua nel bucato fa risparmiare tempo ed energia nel programma di asciugatura.

—

Installazione

Descrizione

Programmi

Detersivi

Precauzioni

Manutenzione

Anomalie

Assistenza

Manutenzione e cura

Escludere acqua e corrente elettrica

- Chiudere il rubinetto dell'acqua dopo ogni lavaggio. Si limita così l'usura dell'impianto idraulico della lavabiancheria e si elimina il pericolo di perdite.
- Staccare la spina della corrente quando si pulisce la lavabiancheria e durante i lavori di manutenzione.

Pulire la lavabiancheria

- La parte esterna e le parti in gomma possono essere puliti con un panno imbevuto di acqua tiepida e sapone. Non usare solventi o abrasivi.

Curare Coperchio e cestello

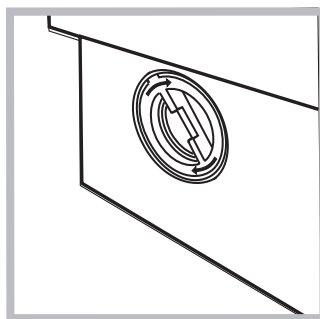
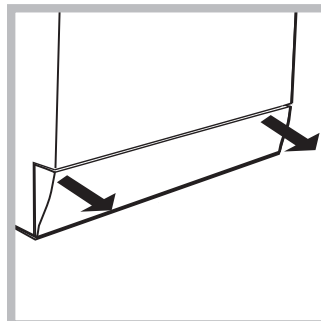
- Lasciare sempre socchiuso il coperchio per evitare che si formino cattivi odori.

Pulire la pompa

La lavabiancheria è dotata di una pompa autopulente che non ha bisogno di manutenzione. Può però succedere che piccoli oggetti (monete, bottoni) cadano nella precamera che protegge la pompa, situata nella parte inferiore di essa.

- ! Assicurarsi che il ciclo di lavaggio sia terminato e staccare la spina.

Per recuperare eventuali oggetti caduti nella precamera:



1. rimuovere il pannello di copertura sul lato anteriore della lavabiancheria tirando con le mani dai lati dello zoccolo (vedi figura);
2. svitare il coperchio ruotandolo in senso antiorario (vedi figura): è normale che fuoriesca un pò d'acqua;
3. pulire accuratamente l'interno;
4. riavvitare il coperchio;
5. rimontare il pannello assicurandosi, prima di spingerlo verso la macchina, di aver inserito i ganci nelle apposite asole.

Controllare il tubo di alimentazione dell'acqua

- ! Non utilizzare mai tubi già usati.

Controllare il tubo di alimentazione almeno una volta all'anno. Se presenta screpolature e fessure va sostituito: durante i lavaggi le forti pressioni potrebbero provocare improvvise spaccature.

Smontaggio:

Esercitare una leggera pressione sul pulsante sulla parte anteriore del cassetto detersivo e tirarlo verso l'alto (fig. 1).



Fig. 1

Pulizia:

Pulire quindi il cassetto sotto il rubinetto (fig.3) utilizzando anche un semplice spazzolino da denti e, sfilata la coppia di sifoncini inseriti nella parte superiore degli scomparti 1 e 2 (fig. 4), controllare che gli stessi non siano ostruiti e risciacuarli.

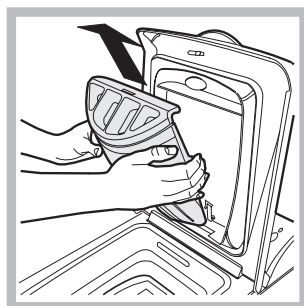


Fig. 2

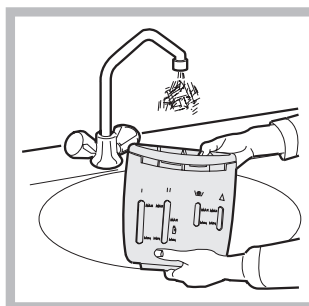


Fig. 3

Rimontaggio:

Non dimenticare di reinserire la coppia di sifoncini negli appositi alloggiamenti e rimettere infine il cassetto nella sua sede agganciandolo (fig.4,2, 1).

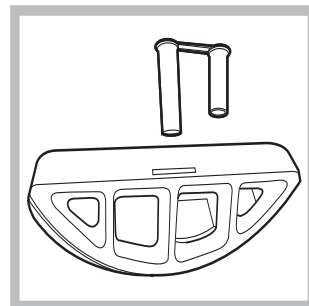


Fig. 4

Può accadere che la lavabiancheria non funzioni. Prima di telefonare all'Assistenza (vedi pag. 72), controllare che non si tratti di un problema facilmente risolvibile aiutandosi con il seguente elenco.

Anomalie:

La lavabiancheria non si accende.

Il ciclo di lavaggio non inizia.

La lavabiancheria non carica acqua (Sul display viene visualizzata la scritta H₂O).

La lavabiancheria carica e scarica acqua di continuo.

La lavabiancheria non scarica o non centrifuga.

La lavabiancheria vibra molto durante la centrifuga.

La lavabiancheria perde acqua.

Si forma troppa schiuma.

./.

Possibili cause / Soluzione:

- La spina non è inserita nella presa della corrente, o non abbastanza da fare contatto.
- In casa non c'è corrente.

- L'oblò non è ben chiuso (sul display viene visualizzata la scritta DOOR).
- Il tasto (ⓘ) non è stato premuto.
- Il tasto START/RESET non è stato premuto.
- Il rubinetto dell'acqua non è aperto.
- Si è impostato un ritardo sull'ora di avvio (Delay Timer, vedi pag. 67).

- Il tubo di alimentazione dell'acqua non è collegato al rubinetto.
- Il tubo è piegato.
- Il rubinetto dell'acqua non è aperto.
- In casa manca l'acqua.
- Non c'è sufficiente pressione.
- Il tasto START/RESET non è stato premuto.

- Il tubo di scarico non è installato fra 65 e 100 cm da terra (vedi pag. 63).
- L'estremità del tubo di scarico è immersa nell'acqua (vedi pag. 63).
- Lo scarico a muro non ha lo sfiato d'aria.

Se dopo queste verifiche il problema non si risolve, chiudere il rubinetto dell'acqua, spegnere la lavabiancheria e chiamare l'Assistenza. Se l'abitazione si trova agli ultimi piani di un edificio, è possibile che si verifichino fenomeni di sifonaggio, per cui la lavabiancheria carica e scarica acqua di continuo. Per eliminare l'inconveniente sono disponibili in commercio apposite valvole anti-sifonaggio.

- Il programma non prevede lo scarico: con alcuni programmi occorre avviarlo manualmente (vedi pag. 66).
- È attiva l'opzione Stira meno: per completare il programma premere il tasto START/RESET (vedi pag. 67).
- Il tubo di scarico è piegato (vedi pag. 63).
- La condotta di scarico è ostruita.

- Il cestello, al momento dell'installazione, non è stato sbloccato correttamente (vedi pag. 62).
- La lavabiancheria non è in piano (vedi pag. 62).
- La lavabiancheria è stretta tra mobili e muro (vedi pag. 62).

- Il tubo di alimentazione dell'acqua non è ben avvitato (vedi pag. 62).
- Il cassetto dei detersivi è intasato (per pulirlo vedi pag. 70).
- Il tubo di scarico non è fissato bene (vedi pag. 63).

- Il detersivo non è specifico per lavabiancheria (deve esserci la dicitura "per lavatrice", "a mano e in lavatrice", o simili).
- Il dosaggio è stato eccessivo. ./.

Installazione

Descrizione

Programmi

Detersivi

Precauzioni

Manutenzione

Anomalie

Assistenza

...segue da pag 71

La lavabiancheria é bloccata e il display lampeggia indicando il codice di un errore (es. F-01, F..).

- Stà segnalando un'anomalia. Prima di chiamare l' assistenza vi preghiamo di procedere nel seguente modo:
 - 1- Premere il tasto Accensione-Spegnimento;
 - 2- Togliere la spina di alimentazione e aspettare almeno 40 secondi;
 - 3- Reinserrire la spina di alimentazione,
 - 4- Premere il tasto Accensione-Spegnimento,
 - 5- Premere il tasto Start-Reset,
 - 6- Se dopo questa operazione persiste il difetto, chiamare l'Assistenza

Prima di contattare l'Assistenza:

- Verificare se l'anomalia può essere risolta da soli (*vedi pag. 71*);
- Riavviare il programma per controllare se l'inconveniente è stato ovviato;
- In caso negativo, contattare il Numero Unico 199.199.199;

! Non ricorrere mai a tecnici non autorizzati.

Comunicare:

- il tipo di anomalia;
- il modello della macchina (Mod.);
- il numero di serie (S/N);

Queste informazioni si trovano sulla targhetta applicata nella parte posteriore della lavabiancheria.

Assistenza Attiva 7 giorni su 7



ASSISTENZA - RICAMBI - ACCESSORI
199.199.199
NUMERO UNICO

Se nasce il bisogno di assistenza o manutenzione basta chiamare il Numero Unico 199.199.199 per essere messi subito in contatto con il Centro Assistenza Tecnica più vicino al luogo da cui si chiama. È attivo 7 giorni su 7, sabato e domenica compresi, e non lascia mai inascoltata una richiesta.