

Instructions for use

WASHING MACHINE

GB

GB

English,1

IT

Italiano,13

PL

Polski,25

CZ

Česky,37

SK

Slovensky,49

RO

Română,61

UK

Українська,73

WMSF 602

Contents

Installation, 2-3

Unpacking and levelling
Connecting the electricity and water supplies
The first wash cycle
Technical data

Precautions and advice, 4

General safety
Disposal
Opening the porthole door manually

Care and maintenance, 5

Cutting off the water and electricity supplies
Cleaning the washing machine
Cleaning the detergent dispenser drawer
Caring for the door and drum of your appliance
Cleaning the pump
Checking the water inlet hose

Description of the washing machine, 6-7

Control panel
Display

Running a wash cycle, 8

Wash cycles and options, 9

Table of programmes and wash cycles
Wash option

Detergents and laundry, 10

Detergent dispenser drawer
Preparing the laundry
Special wash cycles

Troubleshooting, 11

Service, 12

Installation

GB

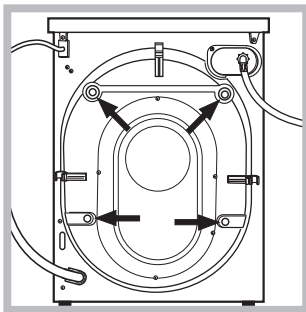
! This instruction manual should be kept in a safe place for future reference. If the washing machine is sold, transferred or moved, make sure that the instruction manual remains with the machine so that the new owner is able to familiarise himself/herself with its operation and features.

! Read these instructions carefully: they contain vital information relating to the safe installation and operation of the appliance.

Unpacking and levelling

Unpacking

1. Remove the washing machine from its packaging.
2. Make sure that the washing machine has not been damaged during the transportation process. If it has been damaged, contact the retailer and do not proceed any further with the installation process.

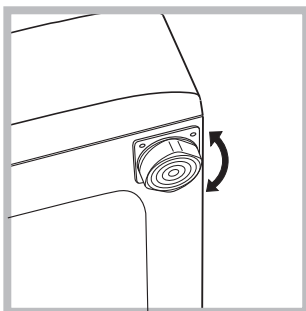


3. Remove the 4 protective screws (used during transportation) and the rubber washer with the corresponding spacer, located on the rear part of the appliance (see figure).

4. Close off the holes using the plastic plugs provided.
5. Keep all the parts in a safe place: you will need them again if the washing machine needs to be moved to another location.

! Packaging materials should not be used as toys for children.

Levelling

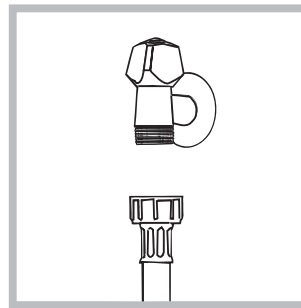


1. Install the washing machine on a flat sturdy floor, without resting it up against walls, furniture cabinets or anything else.
2. If the floor is not perfectly level,

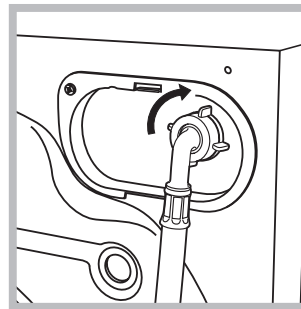
compensate for any unevenness by tightening or loosening the adjustable front feet (see figure); the angle of inclination, measured in relation to the worktop, must not exceed 2°. Levelling the machine correctly will provide it with stability, help to avoid vibrations and excessive noise and prevent it from shifting while it is operating. If it is placed on carpet or a rug, adjust the feet in such a way as to allow a sufficient ventilation space underneath the washing machine.

Connecting the electricity and water supplies

Connecting the water inlet hose



1. Connect the inlet hose by screwing it to a cold water tap using a 3/4 gas threaded connection (see figure). Before performing the connection, allow the water to run freely until it is perfectly clear.



2. Connect the inlet hose to the washing machine by screwing it onto the corresponding water inlet of the appliance, which is situated on the top right-hand side of the rear part of the appliance (see figure).

3. Make sure that the hose is not folded over or bent.

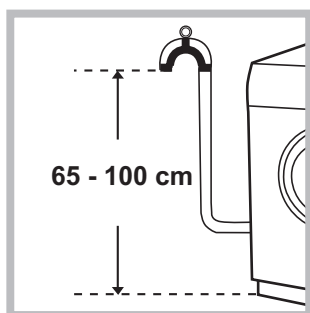
! The water pressure at the tap must fall within the range of values indicated in the Technical data table (see next page).

! If the inlet hose is not long enough, contact a specialised shop or an authorised technician.

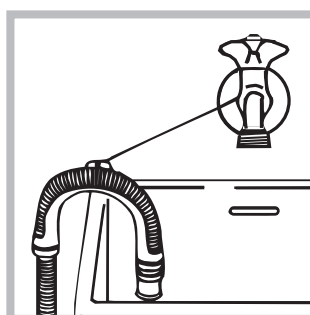
! Never use second-hand hoses.

! Use the ones supplied with the machine.

Connecting the drain hose



Connect the drain hose, without bending it, to a drain duct or a wall drain situated between 65 and 100 cm from the floor;



alternatively, placed it over the edge of a basin, sink or tub, fastening the duct supplied to the tap (see figure). The free end of the hose should not be underwater.

! We advise against the use of hose extensions; if it is absolutely necessary, the extension must have the same diameter as the original hose and must not exceed 150 cm in length.

Electrical connections

Before plugging the appliance into the electricity socket, make sure that:

- the socket is earthed and complies with all applicable laws;
- the socket is able to withstand the maximum power load of the appliance as indicated in the Technical data table (see opposite);
- the power supply voltage falls within the values indicated in the Technical data table (see opposite);
- the socket is compatible with the plug of the washing machine. If this is not the case, replace the socket or the plug.

! The washing machine must not be installed outdoors, even in covered areas. It is extremely dangerous to leave the appliance exposed to rain, storms and other weather conditions.

! When the washing machine has been installed, the electricity socket must remain within easy reach.

! Do not use extension cords or multiple sockets.



! The cable should not be bent or compressed.

! The power supply cable must only be replaced by authorised technicians.

Warning! The company shall not be held responsible in the event that these standards are not observed.

The first wash cycle

Once the appliance has been installed, and before you use it for the first time, run a wash cycle with detergent and no laundry, using wash cycle number "Auto Clean".

Technical data	
Model	WMSF 602
Dimensions	width 59.5 cm height 85 cm depth 43,5 cm
Capacity	from 1 to 6 kg
Electrical connections	please refer to the technical data plate fixed to the machine
Water connections	maximum pressure 1 MPa (10 bar) minimum pressure 0.05 MPa (0.5 bar) drum capacity 48 litres
Spin speed	up to 1000 rotations per minute
Test wash cycles in accordance with directives 1061/2010 1015/2010	programme $\triangleleft 60^{\circ}\text{C}$; Cotton Standard 60°C; programme $\triangleleft 40^{\circ}\text{C}$; Cotton Standard 40°C.
 	This appliance conforms to the following EC Directives: - 2004/108/EC (Electromagnetic Compatibility) - 2006/95/EC (Low Voltage) - 2002/96/EC

Care and maintenance

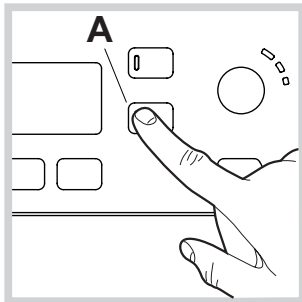
GB

Cutting off the water and electricity supplies

- Turn off the water tap after every wash cycle. This will limit wear on the hydraulic system inside the washing machine and help to prevent leaks.
- Unplug the washing machine when cleaning it and during all maintenance work.

Cleaning the washing machine

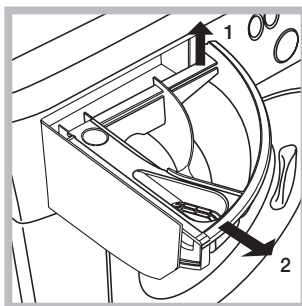
- The outer parts and rubber components of the appliance can be cleaned using a soft cloth soaked in lukewarm soapy water. Do not use solvents or abrasives.
- The washing machine has a “Auto Clean” programme for its internal parts that **must be run with no load in the drum**.



To help the wash cycle you may want to use either the detergent (i.e. a quantity 10% the quantity specified for lightly-soiled garments) or special additives to clean the washing machine. We recommend running a

cleaning programme every 40 wash cycles. To start the programme press button **A** for 5 seconds (see figure). The programme will start automatically and will run for about 70 minutes. To stop the cycle press the START/PAUSE button.

Cleaning the detergent dispenser drawer



Remove the dispenser by raising it and pulling it out (see figure). Wash it under running water; this operation should be repeated frequently.

Caring for the door and drum of your appliance

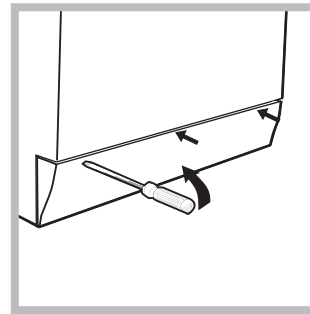
- Always leave the porthole door ajar in order to prevent unpleasant odours from forming.

Cleaning the pump

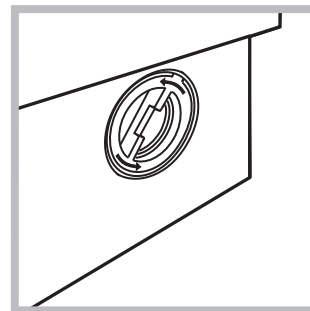
The washing machine is fitted with a self-cleaning pump which does not require any maintenance. Sometimes, small items (such as coins or buttons) may fall into the pre-chamber which protects the pump, situated in its bottom part.

! Make sure the wash cycle has finished and unplug the appliance.

To access the pre-chamber:



1. using a screwdriver, remove the cover panel on the lower front part of the washing machine (see figure);



2. unscrew the lid by rotating it anti-clockwise (see figure): a little water may trickle out. This is perfectly normal;

3. clean the inside thoroughly;
4. screw the lid back on;
5. reposition the panel, making sure the hooks are securely in place before you push it onto the appliance.

Checking the water inlet hose

Check the inlet hose at least once a year. If there are any cracks, it should be replaced immediately: during the wash cycles, water pressure is very strong and a cracked hose could easily split open.

! Never use second-hand hoses.

Precautions and tips

! This washing machine was designed and constructed in accordance with international safety regulations. The following information is provided for safety reasons and must therefore be read carefully.

General safety

- This appliance was designed for domestic use only.
- This appliance can be used by children aged from 8 years and above and persons with reduced physical, sensory or mental capabilities or lack of experience and knowledge if they have been given supervision or instruction concerning use of the appliance in a safe way and understand the hazards involved. Children shall not play with the appliance. Cleaning and user maintenance shall not be made by children without supervision.
- Do not touch the machine when barefoot or with wet or damp hands or feet.
- Do not pull on the power supply cable when unplugging the appliance from the electricity socket. Hold the plug and pull.
- Do not open the detergent dispenser drawer while the machine is in operation.
- Do not touch the drained water as it may reach extremely high temperatures.
- Never force the porthole door. This could damage the safety lock mechanism designed to prevent accidental opening.
- If the appliance breaks down, do not under any circumstances access the internal mechanisms in an attempt to repair it yourself.
- Always keep children well away from the appliance while it is operating.
- The door can become quite hot during the wash cycle.
- If the appliance has to be moved, work in a group of two or three people and handle it with the utmost care. Never try to do this alone, because the appliance is very heavy.
- Before loading laundry into the washing machine, make sure the drum is empty.

Disposal

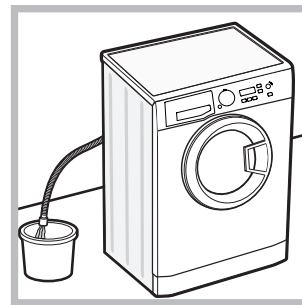
- Disposing of the packaging materials: observe local regulations so that the packaging may be re-used.
- The European Directive 2002/96/EC on Waste Electrical and Electronic Equipment, requires that old household electrical appliances must not be disposed of in the normal unsorted municipal waste stream. Old appliances must be collected separately in order to optimise the recovery and recycling of the materials they contain and reduce the impact on human health and the environment. The crossed out "wheeled bin" symbol on the product reminds you of your obligation, that when you dispose of the appliance it

must be separately collected. Consumers should contact their local authority or retailer for information concerning the correct disposal of their old appliance

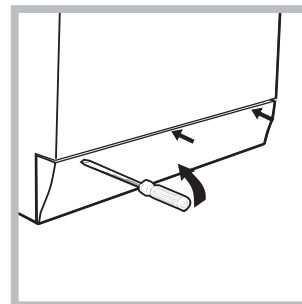
GB

Opening the porthole door manually

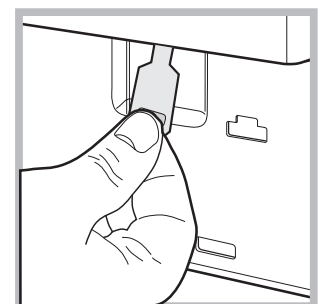
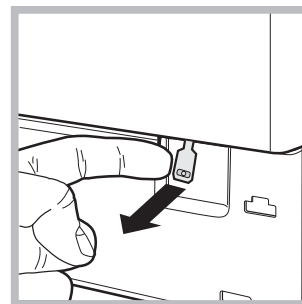
In the event that it is not possible to open the porthole door due to a powercut, and if you wish to remove the laundry, proceed as follows:



1. remove the plug from the electrical socket.
2. make sure the water level inside the machine is lower than the door opening; if it is not, remove excess water using the drain hose, collecting it in a bucket as indicated in the figure.



3. using a screwdriver, remove the cover panel on the lower front part of the washing machine (see figure).

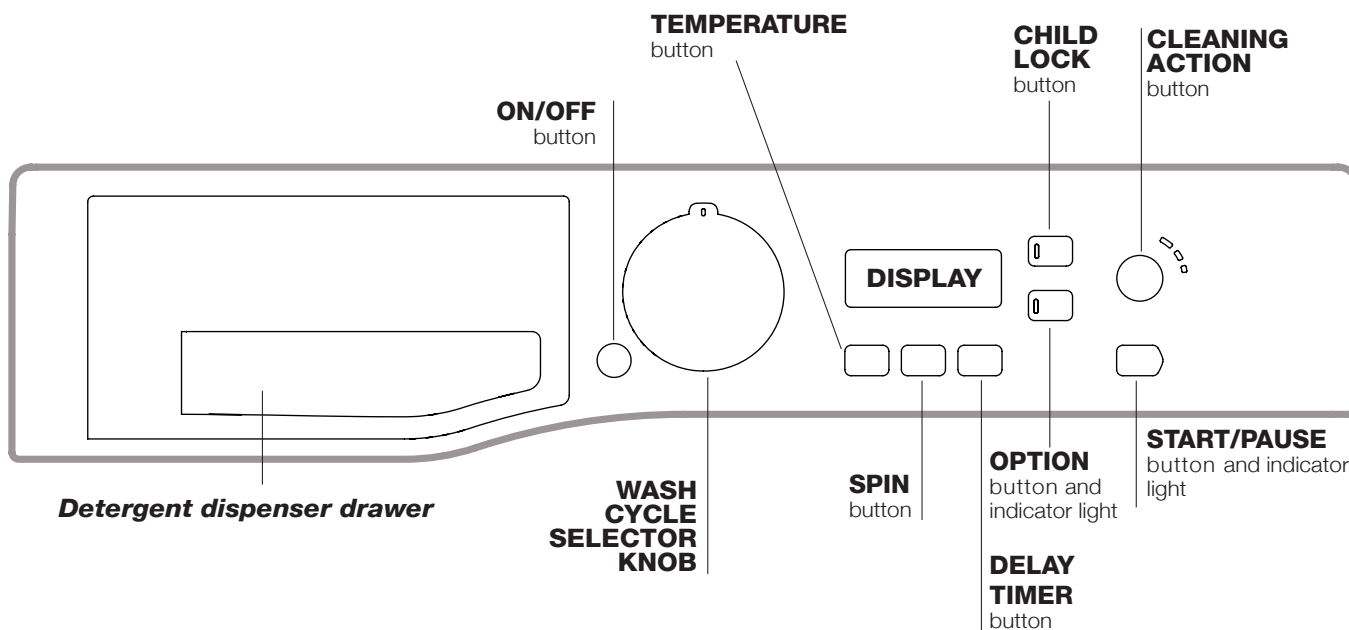


4. pull outwards using the tab as indicated in the figure, until the plastic tie-rod is freed from its stop position; pull downwards and open the door at the same time.


5. reposition the panel, making sure the hooks are securely in place before you push it onto the appliance.

Description of the washing machine

Control panel



Detergent dispenser drawer: used to dispense detergents and washing additives (see “Detergents and laundry”).


ON/OFF  button: press this briefly to switch the machine on or off. The START/PAUSE indicator light which flashes slowly in a green colour shows that the machine is switched on. To switch off the washing machine during the wash cycle, press and hold the button for approximately 3 seconds; if the button is pressed briefly or accidentally the machine will not switch off.


If the machine is switched off during a wash cycle, this wash cycle will be cancelled.


WASH CYCLE SELECTOR KNOB: used to set the desired wash cycle (see “Table of programmes and wash cycles”).


OPTION button and indicator light: press to select the available options. The indicator light corresponding to the selected option will remain lit.



CLEANING ACTION button : to select the desired wash intensity.

TEMPERATURE  button: press to reduce or completely exclude the temperature; the value appears on the display.

SPIN  button: press to reduce or completely exclude the spin cycle; the value appears on the display.

DELAY TIMER  button: press to set a delayed start for the selected wash cycle; the delay period appears on the display.

START/PAUSE button and indicator light: when the green indicator light flashes slowly, press the button to start a wash cycle. Once the cycle has begun the indicator light will remain lit in a fixed manner. To pause the wash cycle, press the button again; the indicator light will flash in an amber colour. If the  symbol is not illuminated, the door may be opened. To start the wash cycle from the point at which it was interrupted, press the button again.

CHILD LOCK button : to activate the control panel lock, press and hold the button for approximately 2 seconds. When the symbol  is illuminated, the control panel is locked (apart from the ON/OFF button). This means it is possible to prevent wash cycles from being modified accidentally, especially where there are children in the home. To deactivate the control panel lock, press and hold the button for approximately 2 seconds.

Standby mode

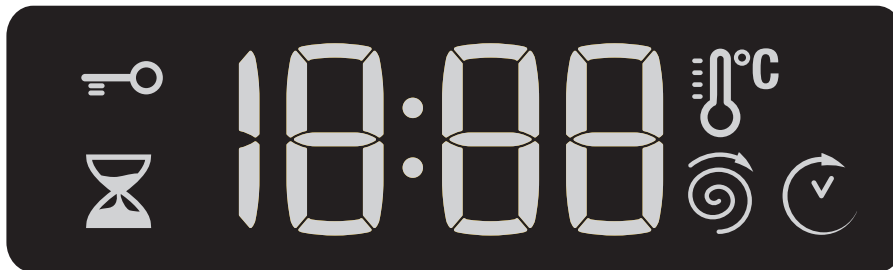
This washing machine, in compliance with new energy saving regulations, is fitted with an automatic standby system which is enabled after about 30 minutes if no activity is detected. Press the ON-OFF button briefly and wait for the machine to start up again.

Consumption in off-mode: 0,5 W

Consumption in Left-on: 0,5 W

Display

GB




The display is useful when programming the machine and provides a great deal of information.

The duration of the available wash cycles and the remaining time of a running cycle appear; if the DELAY TIMER option has been set, the countdown to the start of the selected wash cycle will appear.


Pressing the corresponding button allows you to view the maximum spin speed and temperature values attained by the machine during the set wash cycle, or the values selected most recently, if these are compatible with the set wash cycle.




DOOR LOCKED indicator light:

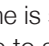
The lit symbol indicates that the door is locked. To prevent any damage, wait until the symbol turns off before opening the door. To open the door while a cycle is in progress, press the START/PAUSE button; if the DOOR LOCKED  symbol is switched off the door may be opened.

Running a wash cycle


GB

1. **SWITCH THE MACHINE ON.** Press the  button; the START/PAUSE indicator light will flash slowly in a green colour.
2. **LOAD THE LAUNDRY.** Open the porthole door. Load the laundry, making sure you do not exceed the maximum load value indicated in the table of programmes and wash cycles on the following page.
3. **MEASURE OUT THE DETERGENT.** Pull out the detergent dispenser drawer and pour the detergent into the relevant compartments as described in “*Detergents and laundry*”.
4. **CLOSE THE DOOR.**
5. **SELECT THE WASH CYCLE.** Use the WASH CYCLE SELECTOR knob to select the desired wash cycle. A temperature and spin speed is set for each wash cycle; these values may be adjusted. The duration of the cycle will appear on the display.
6. **CUSTOMISE THE WASH CYCLE.** Use the relevant buttons:


 **Modify the temperature and/or spin speed.** The machine automatically displays the maximum temperature and spin speed values set for the selected cycle, or the most recently-used settings if they are compatible with the selected cycle. The temperature can be decreased by pressing the  button, until the cold wash “OFF” setting is reached. The spin speed may be progressively reduced by pressing the  button, until it is completely excluded (the “OFF” setting). If these buttons are pressed again, the maximum values are restored.

! Exception: if the  programme is selected, the temperature can be increased up to a value of 90°C.


 **Setting a delayed start.**

To set a delayed start for the selected cycle, press the corresponding button repeatedly until the required delay period has been reached. When this option has been activated, the  symbol lights up on the display. To remove the delayed start setting, press the button until the text “OFF” appears on the display.


Set the desired wash intensity.

Option  makes it possible to optimise washing based on the level of soil in the fabrics and on desired wash cycle intensity.

Select the wash programme: the cycle will be automatically set to “Normal” as optimised for garments with an average level of soil (this setting is not applicable to the “Wool” cycle, which is automatically set to “Delicate”).

For heavily-soiled garments press  button until the “Intensive” level is reached. This level ensures a high-performance wash due to a larger quantity of water used in the initial phase of the cycle and due to increased drum rotation. It is useful when removing the most stubborn stains.

It can be used **with** or **without** bleach. If you desire bleaching, insert the extra tray compartment (4) into compartment 1. When pouring in the bleach, be careful not to exceed the “max” level marked on the central pivot (see figure pag. 10).

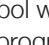


For lightly-soiled garments or a more delicate treatment of the fabrics, press  button until the “Delicate” level is reached. The cycle will reduce drum rotation to ensure washing results that are perfect for delicate garments.


Modify the cycle settings.

- Press the button to enable the option; the indicator light corresponding to the button will switch on.
- Press the button again to disable the option; the indicator light will switch off.

! If the selected option is not compatible with the set wash cycle, the indicator light will flash and the option will not be activated.

! The options may affect the recommended load value and/or the duration of the cycle.

7. **START THE WASH CYCLE.** Press the START/PAUSE button. The corresponding indicator light will turn green, remaining lit in a fixed manner, and the door will be locked (the DOOR LOCKED  symbol will be lit). To change a wash cycle while it is in progress, **pause the washing machine** using the START/PAUSE button (the START/PAUSE indicator light will flash slowly in an amber colour); then select the desired cycle and press the START/PAUSE button again. To open the door while a cycle is in progress, press the START/PAUSE button; if the DOOR LOCKED  symbol is switched off the door may be opened. Press the START/PAUSE button again to restart the wash cycle from the point at which it was interrupted.
8. **THE END OF THE WASH CYCLE.** This will be indicated by the text “END” on the display; when the DOOR LOCKED  symbol switches off the door may be opened. Open the door, unload the laundry and switch off the machine.

! If you wish to cancel a cycle which has already begun, press and hold the  button. The cycle will be stopped and the machine will switch off.

Wash cycles and options

Table of programmes and wash cycles

Wash cycles	Description of the wash cycle	Max. temp. (°C)	Max. speed (rpm)	Detergents				Max. load (kg)	Residual dampness%	Energy consumption kWh	Total water lt	Cycle duration
				Prewash	Wash	Bleach	Fabric softener					
1	Anti Stain	40°	1000	●	●	-	●	4	-	-	-	180'
2	Whites	60°	1000	●	●	-	●	4	-	-	-	190'
	Cotton Standard 60° (1): heavily soiled whites and resistant colours.	60° (Max. 90°)	1000	●(3)	●	●	●	6	62	0.91	54	160'
	Cotton Standard 40° (2): lightly soiled resistant and delicate colours.	40°	1000	-	●	●	●	6	62	1.09	92	150'
5	Synthetics: heavily soiled resistant colours.	60°	800	●	●	●	●	3.5	49	0.87	42	90'
5	Synthetics (4): lightly soiled resistant colours.	40°	800	●	●	●	●	3.5	49	0.56	42	80'
6	Anti allergy	60°	1000	-	●	●	●	4	-	-	-	200'
7	Baby	40°	1000	●	●	●	●	4	-	-	-	165'
8	Wool: for wool, cashmere, etc.	40°	800	-	●	-	●	1.5	-	-	-	80'
9	Delicates	30°	0	-	●	-	●	1	-	-	-	75'
10	Fast Wash 60': to refresh normal soiled garments quickly (not suitable for wool, silk and clothes which require washing by hand).	60°	1000	-	●	-	●	3.5	62	0.81	36	60'
11	Cotton Standard 20°: lightly soiled resistant and delicate colours.	20°	1000	-	●	●	●	6	-	-	-	175'
12	Eco Cottons	Cold Water	1000	-	●	-	●	6	62	0.18	74	105'
13	Eco Synthetics	Cold Water	800	-	●	-	●	3	49	0.08	51	70'
14	Eco Fast 30'	Cold Water	800	-	●	-	●	3	71	0.05	57	30'
	Rinse	-	1000	-	-	-	●	6	-	-	-	49'
	Spin and Pump out	-	1000	-	-	-	-	6	-	-	-	16'

The length of cycle shown on the display or in this booklet is an estimation only and is calculated assuming standard working conditions. The actual duration can vary according to factors such as water temperature and pressure, the amount of detergent used, the amount and type of load inserted, load balancing and any wash options selected.

1) Test wash cycle in compliance with directive 1061/2010: set wash cycle with a temperature of 60°C.

This cycle is designed for cotton loads with a normal soil level and is the most efficient in terms of both electricity and water consumption; it should be used for garments which can be washed at 60°C. The actual washing temperature may differ from the indicated value.

2) Test wash cycle in compliance with directive 1061/2010: set wash cycle with a temperature of 40°C.

This cycle is designed for cotton loads with a normal soil level and is the most efficient in terms of both electricity and water consumption; it should be used for garments which can be washed at 40°C. The actual washing temperature may differ from the indicated value.

3) At 60 °C the "Prewash" function cannot be selected.

For all Test Institutes:

2) Long wash cycle for cottons: set wash cycle with a temperature of 40°C.

4) Long wash cycle for synthetics: set wash cycle 5 with a temperature of 40°C.

Wash option

Prewash

If this function is selected, the pre-wash cycle will run; this is useful for removing stubborn stains.

N.B.: Put the detergent in the relevant compartment.

! It cannot be used in conjunction with wash cycles

(60°), , 6, 8, 9, 10, 11, 12, 13, 14, , .

Detergents and laundry

GB

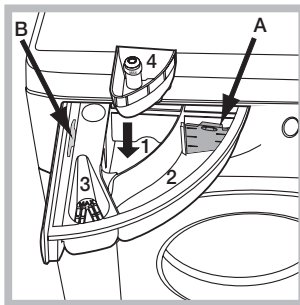
Detergent dispenser drawer

Successful washing results also depend on the correct dose of detergent: adding too much detergent will not necessarily result in a more efficient wash, and may in fact cause build up on the inside of your appliance and contribute to environmental pollution.

! Use powder detergent for white cotton garments, for pre-washing, and for washing at temperatures over 60°C.

! Follow the instructions given on the detergent packaging.

! Do not use hand washing detergents; they create too much foam.



Open the detergent dispenser drawer and pour in the detergent or washing additive, as follows.

compartment 1: Pre-wash detergent (powder)

Before pouring in the detergent, make sure that extra compartment 4 has been removed.

compartment 2: Detergent for the wash cycle (powder or liquid)

If liquid detergent is used, it is recommended that the removable plastic partition A (supplied) be used for proper dosage.

If powder detergent is used, place the partition into slot B.

compartment 3: Additives (fabric softeners, etc.)

The fabric softener should not overflow the grid.

extra compartment 4: Bleach

Preparing the laundry

- Divide the laundry according to:
 - the type of fabric/the symbol on the label
 - the colours: separate coloured garments from whites.
- Empty all garment pockets and check the buttons.
- Do not exceed the listed values, which refer to the weight of the laundry when dry:
see "Table of programmes and wash cycles".

How much does your laundry weigh?

- 1 sheet 400-500 g
- 1 pillow case 150-200 g
- 1 tablecloth 400-500 g
- 1 bathrobe 900-1,200 g
- 1 towel 150-250 g

Special wash cycles

Anti Stain: the programme 1 is suitable to heavily-soiled garments with resistant colours. It ensures a washing class that is higher than the standard class (A class). When running the programme, do not mix garments of different colours. We recommend the use of powder detergent. Pre-treatment with special additives is recommended if there are obstinate stains.

Whites: use this cycle 2 to wash white clothes. The programme is designed to maintain the brightness of white clothes over time. Use powder detergent for best results.


Anti allergy: use programme 6 to remove major allergens such as pollen, mites, cat's and dog's hair.

Baby: use the special wash cycle 7 to remove the soiling typically caused by babies, while removing all traces of detergent from nappies in order to prevent the delicate skin of babies from suffering allergic reactions. The cycle has been designed to reduce the amount of bacteria by using a greater quantity of water and optimising the effect of special disinfecting additives added to the detergent.

Wool: the wool wash cycle on this Hotpoint-Ariston machine has been tested and approved by The Woolmark Company for washing wool garments labelled as hand washable provided that the garments are washed according to the instructions on the garment label and those issued by the manufacturer of this washing machine. Hotpoint-Ariston is the first washing machine brand to be approved by The Woolmark Company for Apparel Care-Platinum for its washing performance and consumption of energy and water.



Delicates: use programme 9 to wash very delicate garments having strasses or sequins.

To wash silk garments and curtains select the cycle 9 and set the "Delicate" level from option .

We recommend turning the garments inside out before washing and placing small items into the special bag for washing delicates. Use liquid detergent on delicate garments for best results.

Eco cycles

The Eco Cycles assure energy saving by eliminating the need of heating water and it's an advantage both to your energy bill and the environment! These innovative Eco programmes (Eco Cottons 12, Eco Synthetics 13 and Eco Fast 30' 14) are available for various fabrics and different quantity of garment; they have been designed to guarantee a high cleaning action even at low temperature and can be used for lightly to medium soiled loads. Eco Cycles give the best results thanks to an intensified wash action, water optimization and are carried out in the same average time of a standard cycle. For the best washing results with Eco Cycles we recommend the usage of a liquid detergent.

Cotton Standard 20° ideal for heavily soiled cotton loads. The effective performance levels achieved at cold temperatures, which are comparable to washing at 40°, are guaranteed by a mechanical action which operates at varying speed, with repeated and frequent peaks.

Load balancing system

Before every spin cycle, to avoid excessive vibrations before every spin and to distribute the load in a uniform manner, the drum rotates continuously at a speed which is slightly greater than the washing rotation speed. If, after several attempts, the load is not balanced correctly, the machine spins at a reduced spin speed. If the load is excessively unbalanced, the washing machine performs the distribution process instead of spinning. To encourage improved load distribution and balance, we recommend small and large garments are mixed in the load.

Troubleshooting

Your washing machine could occasionally fail to work. Before contacting the Technical Assistance Service (see “Service”), make sure that the problem cannot be solved easily using the following list.

Problem:

Possible causes / Solutions:

The washing machine does not switch on.

- The appliance is not plugged into the socket fully, or not enough to make contact.
- There is no power in the house.

The wash cycle does not start.

- The washing machine door is not closed properly.
- The ON/OFF button has not been pressed.
- The START/PAUSE button has not been pressed.
- The water tap has not been opened.
- A delayed start has been set.

The washing machine does not fill with water (the text “H2O” flashes on the display).

- The water inlet hose is not connected to the tap.
- The hose is bent.
- The water tap has not been opened.
- There is no water supply in the house.
- The pressure is too low.
- The START/PAUSE button has not been pressed.

The washing machine continuously takes in and drains water.

- The drain hose is not fitted at a height between 65 and 100 cm from the floor (see “Installation”).
- The free end of the hose is under water (see “Installation”).
- The wall drainage system is not fitted with a breather pipe.

If the problem persists even after these checks, turn off the water tap, switch the appliance off and contact the Technical Assistance Service. If the dwelling is on one of the upper floors of a building, there may be problems relating to water drainage, causing the washing machine to fill with water and drain continuously. Special anti-draining valves are available in shops and help to prevent this inconvenience.

The washing machine does not drain or spin.

- The wash cycle does not include draining: some cycles require the draining process to be enabled manually.
- The drain hose is bent (see “Installation”).
- The drainage duct is clogged.

The washing machine vibrates a lot during the spin cycle.

- The drum was not unlocked correctly during installation (see “Installation”).
- The washing machine is not level (see “Installation”).
- The washing machine is trapped between cabinets and walls (see “Installation”).

The washing machine leaks.

- The water inlet hose is not screwed on properly (see “Installation”).
- The detergent dispenser drawer is blocked (for cleaning instructions, see “Care and maintenance”).
- The drain hose is not fixed properly (see “Installation”).

The “option” and START/PAUSE indicator lights flash rapidly and an error code appears on the display (e.g.: F-01, F-..).

- Switch off the machine and unplug it, wait for approximately 1 minute and then switch it back on again.
- If the problem persists, contact the Technical Assistance Service.

There is too much foam.

- The detergent is not suitable for machine washing (it should display the text “for washing machines” or “hand and machine wash”, or the like).
- Too much detergent was used.

Service

GB

Before contacting the Technical Assistance Service:

- Check whether you can solve the problem alone (see “*Troubleshooting*”).
- Restart the wash cycle to check whether the problem has been solved.
- If this is not the case, contact an authorised Technical Assistance Centre.

! Always request the assistance of authorised technicians.

Have the following information to hand:

- the type of problem;
- the appliance model (Mod.);
- the serial number (S/N).

This information can be found on the data plate applied to the rear of the washing machine, and can also be found on the front of the appliance by opening the door.



Italiano

WMSF 602

Sommario

Installazione, 14-15

Disimballo e livellamento
Collegamenti idraulici ed elettrici
Primo ciclo di lavaggio
Dati tecnici

Manutenzione e cura, 16

Escludere acqua e corrente elettrica
Pulire la lavabiancheria
Pulire il cassetto dei detersivi
Curare oblò e cestello
Pulire la pompa
Controllare il tubo di alimentazione dell'acqua

Precauzioni e consigli, 17

Sicurezza generale
Smaltimento
Apertura manuale della porta oblò

Descrizione della lavabiancheria, 18-19

Pannello di controllo
Display

Come effettuare un ciclo di lavaggio, 20

Programmi e opzioni, 21

Tabella dei programmi
Opzioni di lavaggio

Detersivi e biancheria, 22

Cassetto dei detersivi
Preparare la biancheria
Programmi particolari

Anomalie e rimedi, 23

Assistenza, 24

Assistenza Attiva 7 giorni su 7

Installazione

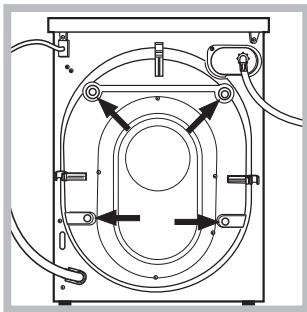
! È importante conservare questo libretto per poterlo consultare in ogni momento. In caso di vendita, di cessione o di trasloco, assicurarsi che resti insieme alla lavabiancheria per informare il nuovo proprietario sul funzionamento e sui relativi avvertimenti.

! Leggere attentamente le istruzioni: ci sono importanti informazioni sull'installazione, sull'uso e sulla sicurezza.

Disimballo e livellamento

Disimballo

1. Disimballare la lavabiancheria.
2. Controllare che la lavabiancheria non abbia subito danni nel trasporto. Se fosse danneggiata non collegarla e contattare il rivenditore.



3. Rimuovere le 4 viti di protezione per il trasporto e il gommino con il relativo distanziale, posti nella parte posteriore (vedi figura).

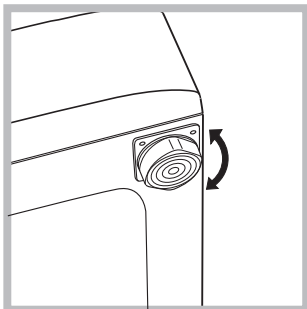
4. Chiudere i fori con i tappi di plastica in dotazione.

5. Conservare tutti i pezzi: qualora la lavabiancheria debba essere trasportata, dovranno essere rimontati.

! Gli imballaggi non sono giocattoli per bambini.

Livellamento

1. Installare la lavabiancheria su un pavimento piano e rigido, senza appoggiarla a muri, mobili o altro.

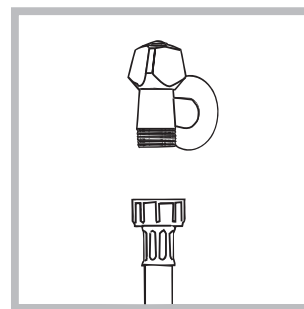


2. Se il pavimento non fosse perfettamente orizzontale, compensare le irregolarità svitando o avvitando i piedini anteriori (vedi figura); l'angolo di inclinazione, misurato sul piano di lavoro, non deve superare i 2°.

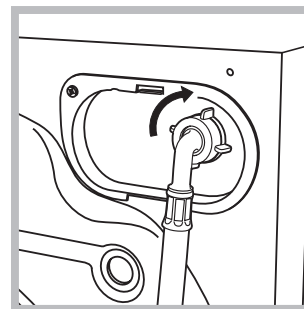
Un accurato livellamento dà stabilità alla macchina ed evita vibrazioni, rumori e spostamenti durante il funzionamento. In caso di moquette o di un tappeto, regolare i piedini in modo da conservare sotto la lavabiancheria uno spazio sufficiente per la ventilazione.

Collegamenti idraulici ed elettrici

Collegamento del tubo di alimentazione dell'acqua



1. Collegare il tubo di alimentazione avvitandolo a un rubinetto d'acqua fredda con bocca filettata da 3/4 gas (vedi figura). Prima di allacciare, far scorrere l'acqua finché non sia limpida.



2. Collegare il tubo di alimentazione alla lavabiancheria avvitandolo all'apposita presa d'acqua, nella parte posteriore in alto a destra (vedi figura).

3. Fare attenzione che nel tubo non ci siano né pieghe né strozzature.

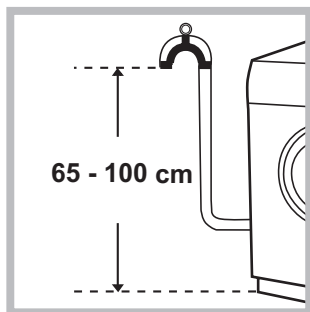
! La pressione idrica del rubinetto deve essere compresa nei valori della tabella Dati tecnici (vedi pagina a fianco).

! Se la lunghezza del tubo di alimentazione non fosse sufficiente, rivolgersi a un negozio specializzato o a un tecnico autorizzato.

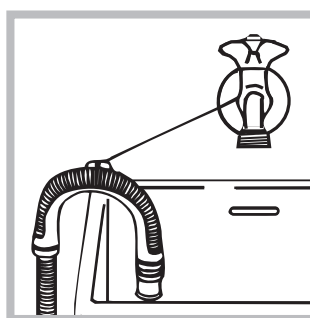
! Non utilizzare mai tubi già usati.

! Utilizzare quelli in dotazione alla macchina.

Collegamento del tubo di scarico



Collegare il tubo di scarico, senza piegarlo, a una condotta di scarico o a uno scarico a muro posti tra 65 e 100 cm da terra;



oppure appoggiarlo al bordo di un lavandino o di una vasca, legando la guida in dotazione al rubinetto (vedi figura). L'estremità libera del tubo di scarico non deve rimanere immersa nell'acqua.

! È sconsigliato usare tubi di prolunga; se indispensabile, la prolunga deve avere lo stesso diametro del tubo originale e non superare i 150 cm.

Collegamento elettrico

Prima di inserire la spina nella presa della corrente, accertarsi che:

- la presa abbia la messa a terra e sia a norma di legge;
- la presa sia in grado di sopportare il carico massimo di potenza della macchina, indicato nella tabella Dati tecnici (vedi a fianco);
- la tensione di alimentazione sia compresa nei valori indicati nella tabella Dati tecnici (vedi a fianco);
- la presa sia compatibile con la spina della lavabiancheria. In caso contrario sostituire la presa o la spina.

! La lavabiancheria non va installata all'aperto, nemmeno se lo spazio è riparato, perché è molto pericoloso lasciarla esposta a pioggia e temporali.

! A lavabiancheria installata, la presa della corrente deve essere facilmente raggiungibile.

! Non usare prolunghe e multiple.

! Il cavo non deve subire piegature o compressioni.

! Il cavo di alimentazione deve essere sostituito solo da tecnici autorizzati.

Attenzione! L'azienda declina ogni responsabilità qualora queste norme non vengano rispettate.

Primo ciclo di lavaggio

Dopo l'installazione, prima dell'uso, effettuare un ciclo di lavaggio con detersivo e senza biancheria impostando il programma "Auto Pulizia".

Dati tecnici	
Modello	WMSF 602
Dimensioni	larghezza cm 59,5 altezza cm 85 profondità cm 43,5
Capacità	da 1 a 6 kg
Collegamenti elettrici	vedi la targhetta caratteristiche tecniche applicata sulla macchina
Collegamenti idrici	pressione massima 1 MPa (10 bar) pressione minima 0,05 MPa (0,5 bar) capacità del cesto 48 litri
Velocità di centrifuga	sino a 1000 giri al minuto
Programmi di controllo secondo la direttiva 1061/2010 1015/2010	programma $\leq 60^{\circ}\text{C}$; Cotone Standard 60°C; programma $\leq 40^{\circ}\text{C}$; Cotone Standard 40°C.
 	Questa apparecchiatura è conforme alle seguenti Direttive Comunitarie: - 2004/108/CE (Compatibilità Elettromagnetica) - 2002/96/CE - 2006/95/CE (Bassa Tensione)

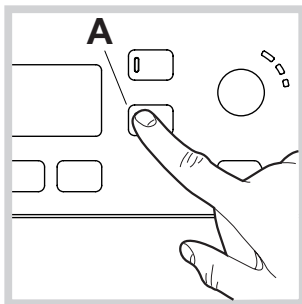
Manutenzione e cura

Escludere acqua e corrente elettrica

- Chiudere il rubinetto dell'acqua dopo ogni lavaggio. Si limita così l'usura dell'impianto idraulico della lavabiancheria e si elimina il pericolo di perdite.
- Staccare la spina della corrente quando si pulisce la lavabiancheria e durante i lavori di manutenzione.

Pulire la lavabiancheria

- La parte esterna e le parti in gomma possono essere pulite con un panno imbevuto di acqua tiepida e sapone. Non usare solventi o abrasivi.
- La lavabiancheria è dotata di un programma di "Auto Pulizia" delle parti interne che deve essere effettuato **senza alcun tipo di carico nel cesto**.



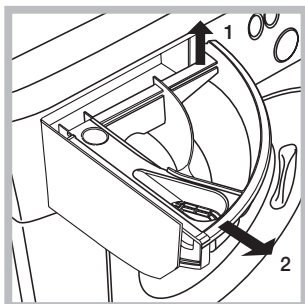
Il detersivo (nella quantità pari al 10% di quella consigliata per capi poco sporchi) o additivi specifici per la pulizia della lavabiancheria, potranno essere utilizzati come coadiuvanti nel programma di lavaggio. Si consiglia di effettuare il programma

di pulizia ogni 40 cicli di lavaggio.

Per attivare il programma premere il tasto **A** per 5 sec. (vedi figura).

Il programma partirà automaticamente ed avrà una durata di circa 70 minuti. Per fermare il ciclo premere il tasto START/PAUSE.

Pulire il cassetto dei detersivi



Sfilare il cassetto sollevandolo e tirandolo verso l'esterno (vedi figura).

Lavarlo sotto l'acqua corrente; questa pulizia va effettuata frequentemente.

Curare oblò e cestello

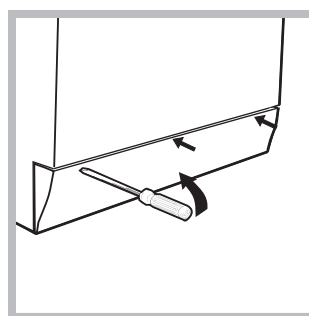
- Lasciare sempre socchiuso l'oblò per evitare che si formino cattivi odori.

Pulire la pompa

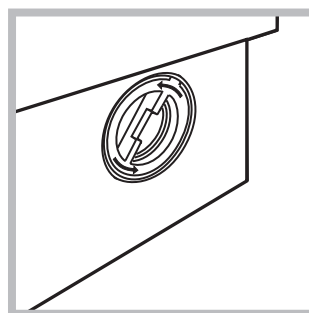
La macchina è dotata di una pompa autopulente che non ha bisogno di manutenzione. Può però succedere che piccoli oggetti (monete, bottoni) cadano nella precamera che protegge la pompa, situata nella parte inferiore di essa.

! Assicurarsi che il ciclo di lavaggio sia terminato e staccare la spina.

Per accedere alla precamera:



1. rimuovere il pannello di copertura sul lato anteriore della lavasciuga con l'ausilio di un giravite (vedi figura);



2. svitare il coperchio ruotandolo in senso antiorario (vedi figura): è normale che fuoriesca un po' d'acqua;

3. pulire accuratamente l'interno;
4. riavvitare il coperchio;
5. rimontare il pannello assicurandosi, prima di spingerlo verso la macchina, di aver inserito i ganci nelle apposite asole.

Controllare il tubo di alimentazione dell'acqua

Controllare il tubo di alimentazione almeno una volta all'anno. Se presenta screpolature e fessure va sostituito: durante i lavaggi le forti pressioni potrebbero provocare improvvise spaccature.

! Non utilizzare mai tubi già usati.

Precauzioni e consigli

! La lavabiancheria è stata progettata e costruita in conformità alle norme internazionali di sicurezza. Queste avvertenze sono fornite per ragioni di sicurezza e devono essere lette attentamente.

Sicurezza generale

- Questo apparecchio è stato concepito esclusivamente per un uso di tipo domestico.
- Questo apparecchio può essere usato da bambini da 8 anni in su e da persone con capacità fisiche, sensoriali o mentali ridotte o con esperienza e conoscenze insufficienti se sono supervisionati o se hanno ricevuto adeguata formazione in merito all'uso dell'apparecchio in modo sicuro e capendo i pericoli connessi. I bambini non devono giocare con l'apparecchio. Manutenzione e pulizia non devono essere effettuati dai bambini senza supervisione.
- Non toccare la macchina a piedi nudi o con le mani o i piedi bagnati o umidi.
- Non staccare la spina dalla presa della corrente tirando il cavo, bensì afferrando la spina.
- Non aprire il cassetto dei detersivi mentre la macchina è in funzione.
- Non toccare l'acqua di scarico, che può raggiungere temperature elevate.
- Non forzare in nessun caso l'oblò: potrebbe danneggiarsi il meccanismo di sicurezza che protegge da aperture accidentali.
- In caso di guasto, in nessun caso accedere ai meccanismi interni per tentare una riparazione.
- Controllare sempre che i bambini non si avvicinino alla macchina in funzione.
- Durante il lavaggio l'oblò tende a scaldarsi.
- Se dev'essere spostata, lavorare in due o tre persone con la massima attenzione. Mai da soli perché la macchina è molto pesante.
- Prima di introdurre la biancheria controlla che il cestello sia vuoto.

Smaltimento

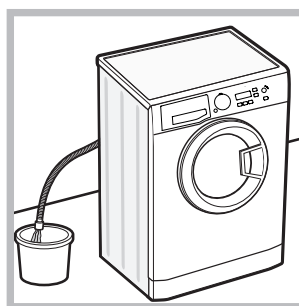
- Smaltimento del materiale di imballaggio: attenersi alle norme locali, così gli imballaggi potranno essere riutilizzati.
- La direttiva Europea 2002/96/CE sui rifiuti di apparecchiature elettriche ed elettroniche, prevede che gli elettrodomestici non debbano essere smaltiti nel normale flusso dei rifiuti solidi urbani. Gli apparecchi dismessi devono essere raccolti separatamente per ottimizzare il tasso di recupero e riciclaggio dei materiali che li compongono ed impedire potenziali danni per la salute e l'ambiente.

Il simbolo del cestino barrato è riportato su tutti i prodotti per ricordare gli obblighi di raccolta separata.

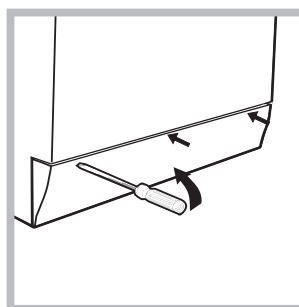
Per ulteriori informazioni, sulla corretta dismissione degli elettrodomestici, i detentori potranno rivolgersi al servizio pubblico preposto o ai rivenditori.

Apertura manuale della porta oblò

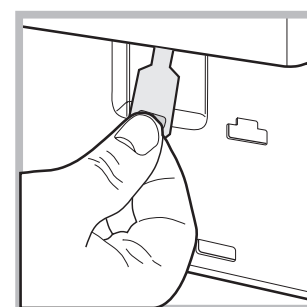
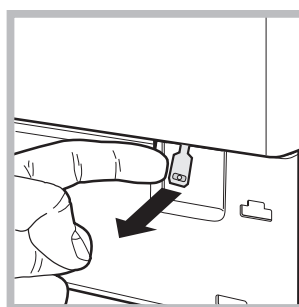
Nel caso non sia possibile aprire la porta oblò a causa della mancanza di energia elettrica e volete stendere il bucato, procedere come segue:



1. togliere la spina dalla presa di corrente.
2. verificare che il livello dell'acqua all'interno della macchina sia inferiore rispetto all'apertura dell'oblò; in caso contrario togliere l'acqua in eccedenza attraverso il tubo di scarico raccogliendola in un secchio come indicato in figura.



3. rimuovere il pannello di copertura sul lato anteriore della lavabiancheria con l'ausilio di un giravite (vedi figura).

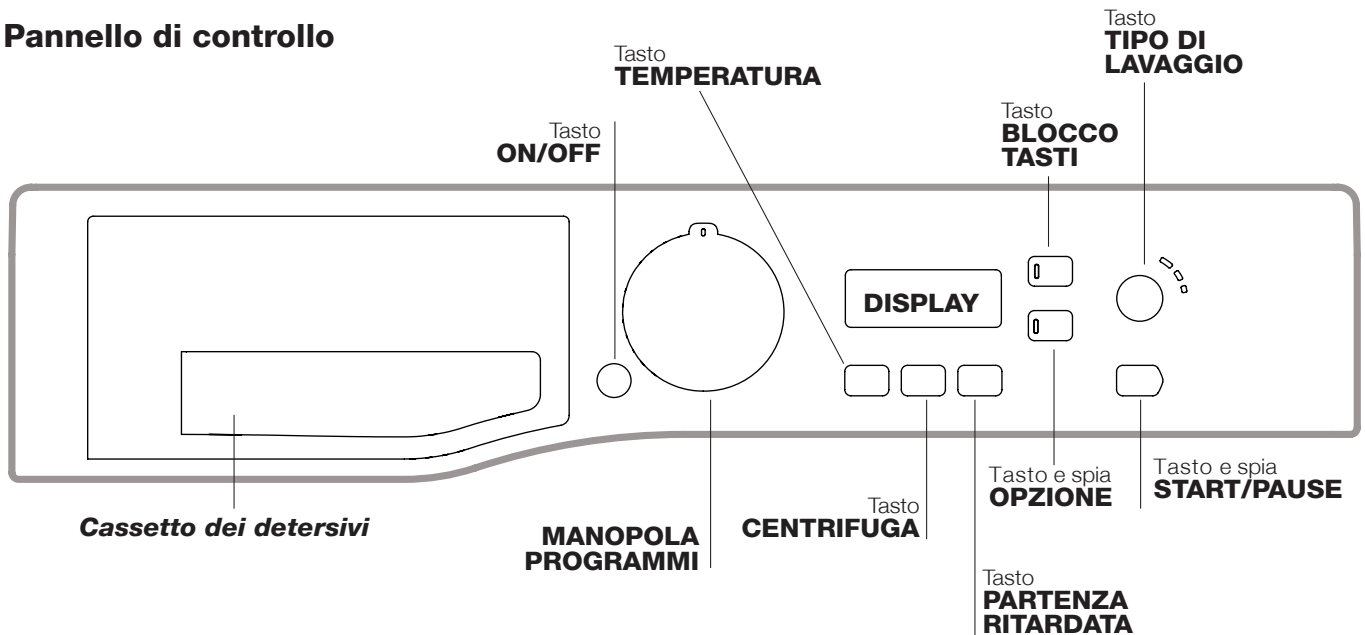


4. utilizzando la linguetta indicata in figura tirare verso l'esterno fino a liberare il tirante in plastica dal fermo; tirarlo successivamente verso il basso e contemporaneamente aprire la porta.


5. rimontare il pannello assicurandosi, prima di spingerlo verso la macchina, di aver inserito i ganci nelle apposite asole.

Descrizione della lavabiancheria

Pannello di controllo



Cassetto dei detersivi: per caricare detersivi e additivi (vedi "Detersivi e biancheria").

Tasto ON/OFF : premere brevemente il tasto per accendere o spegnere la macchina. La spia START/PAUSE che lampeggia lentamente di colore verde indica che la macchina è accesa. Per spegnere la lavabiancheria durante il lavaggio è necessario tenere premuto il tasto più a lungo, circa 3 sec.; una pressione breve o accidentale non permetterà lo spegnimento della macchina. Lo spegnimento della macchina durante un lavaggio in corso annulla il lavaggio stesso.

MANOPOLA PROGRAMMI: per impostare il programma desiderato (vedi "Tabella dei programmi").


Tasto e spia OPZIONE: per selezionare l'opzione disponibile. La spia relativa all'opzione selezionata rimarrà accesa.



Tasto TIPO DI LAVAGGIO : premere per selezionare l'intensità di lavaggio desiderata.

Tasto TEMPERATURA : premere per ridurre o escludere la temperatura; il valore viene indicato nel display.

Tasto CENTRIFUGA : premere per ridurre o escludere del tutto la centrifuga; il valore viene indicato nel display.

Tasto PARTENZA RITARDATA : premere per impostare una partenza ritardata del programma prescelto; il ritardo viene indicato nel display.

Tasto e spia START/PAUSE: quando la spia verde lampeggia lentamente, premere il tasto per avviare un lavaggio. A ciclo avviato la spia diventa fissa. Per mettere in pausa il lavaggio, premere nuovamente il tasto; la spia lampeggerà con colore ambra. Se il simbolo  non è illuminato, si potrà aprire l'oblò. Per far ripartire il lavaggio dal punto in cui è stato interrotto, premere nuovamente il tasto.

Tasto BLOCCO TASTI : per **attivare** il blocco del pannello di controllo, tenere premuto il tasto per circa 2 secondi. Il simbolo  acceso indica che il pannello di controllo è bloccato (ad eccezione del tasto ON/OFF). In questo modo si impediscono modifiche accidentali dei programmi, soprattutto se in casa ci sono dei bambini. Per **disattivare** il blocco del pannello di controllo, tenere premuto il tasto per circa 2 secondi.

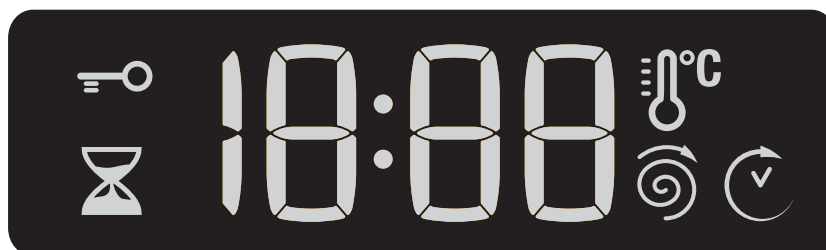
Modalità stand by

Questa lavatrice, in conformità alle nuove normative legate al risparmio energetico, è dotata di un sistema di autospegnimento (stand by) che entra in funzione dopo circa 30 minuti nel caso di non utilizzo. Premere brevemente il tasto ON-OFF e attendere che la macchina si riattivi.

Consumo in off-mode: 0,5 W

Consumo in Left-on: 0,5 W

Display



Il display è utile per programmare la macchina e fornisce molteplici informazioni.

Viene visualizzata la durata dei vari programmi a disposizione e a ciclo avviato il tempo residuo alla fine dello stesso; nel caso fosse stata impostata una PARTENZA RITARDATA, viene visualizzato il tempo mancante all'avvio del programma selezionato. Inoltre, premendo il relativo tasto, vengono visualizzati i valori massimi della velocità di centrifuga e di temperatura che la macchina può effettuare in base al programma impostato o gli ultimi valori selezionati se compatibili con il programma scelto.




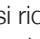

Spia **Oblò bloccato** 



Il simbolo acceso indica che l'oblò è bloccato. Per evitare danni è necessario attendere che il simbolo si spenga prima di aprire l'oblò.

Per aprire la porta mentre un ciclo è in corso premere il tasto START/PAUSE; se il simbolo OBLO' BLOCCATO  è spento sarà possibile aprire l'oblò.



Come effettuare un ciclo di lavaggio

1. **ACCENDERE LA MACCHINA.** Premere il tasto ; la spia START/PAUSE lampeggerà lentamente di colore verde.
2. **CARICARE LA BIANCHERIA.** Aprire la porta oblò. Caricare la biancheria facendo attenzione a non superare la quantità di carico indicata nella tabella programmi della pagina seguente.
3. **DOSARE IL DETERSIVO.** Estrarre il cassetto e versare il detersivo nelle apposite vaschette come spiegato in “Detersivi e biancheria”.
4. **CHIUDERE L’OBLO’.**
5. **SCEGLIERE IL PROGRAMMA.** Selezionare con la manopola PROGRAMMI il programma desiderato; ad esso è associata una temperatura e una velocità di centrifuga che possono essere modificate. Sul display comparirà la durata del ciclo.
6. **PERSONALIZZARE IL CICLO DI LAVAGGIO.** Agire sugli appositi tasti:

  **Modificare la temperatura e/o la centrifuga.** La macchina visualizza automaticamente la temperatura e la centrifuga massime previste per il programma impostato o le ultime selezionate se compatibili con il programma scelto. Premendo il tasto  si riduce progressivamente la temperatura sino al lavaggio a freddo “OFF”. Premendo il tasto  si riduce progressivamente la centrifuga sino alla sua esclusione “OFF”. Un’ulteriore pressione dei tasti riporterà i valori al massimo consentito per il ciclo selezionato.
! Eccezione: selezionando il programma  la temperatura può essere portata sino a 90°.

 **Impostare una partenza ritardata.**
Per impostare la partenza ritardata del programma prescelto, premere il tasto relativo fino a raggiungere il tempo di ritardo desiderato. Quando tale opzione è attiva, sul display si illumina il simbolo . Per rimuovere la partenza ritardata premere il tasto fino a che sul display compare la scritta “OFF”.

Impostare l'intensità di lavaggio desiderata.

Il tasto  permette di ottimizzare il lavaggio in base al grado di sporco dei tessuti e all'intensità di lavaggio desiderata.
Selezionare il programma di lavaggio, il ciclo viene impostato automaticamente sul livello “Normal”, ottimizzato per capi mediamente sporchi, (impostazione non valida per il ciclo “Lana”, che si imposta automaticamente sul livello “Delicate”).
Per capi molto sporchi premere il tasto  fino al raggiungimento del livello “Intensive”. Questo livello garantisce un lavaggio di alte prestazioni grazie all'utilizzo di una maggiore quantità di acqua nella fase iniziale del ciclo ed una maggiore movimentazione meccanica, ed è

utile per eliminare le macchie più resistenti. Può essere utilizzato **con** o **senza** candeggina.

Se si desidera effettuare il candeggio inserire la vaschetta aggiuntiva **4**, in dotazione, nella vaschetta **1**. Nel dosare la candeggina non superare il livello “max” indicato sul perno centrale (vedi figura a pag. 22).

Per capi poco sporchi o per un trattamento più delicato dei tessuti, premere il tasto  fino al raggiungimento del livello “Delicate”. Il ciclo ridurrà la movimentazione meccanica per garantire risultati di lavaggio perfetti per i capi delicati.


Modificare le caratteristiche del ciclo.

- Premere il tasto per attivare l'opzione; la spia corrispondente al pulsante si accenderà.
- Premere nuovamente il tasto per disattivare l'opzione; la spia si spegnerà.

! Se l'opzione selezionata non è compatibile con il programma impostato, la spia lampeggerà e l'opzione non verrà attivata.

! Le opzioni possono variare il carico raccomandato e/o la durata del ciclo.

7. **AVVIARE IL PROGRAMMA.** Premere il tasto START/PAUSE. La spia relativa si illuminerà di colore verde fisso e l'oblò si bloccherà (simbolo OBLO' BLOCCATO  acceso). Per cambiare un programma mentre un ciclo è in corso, **mettere la lavabiancheria in pausa** premendo il tasto START/PAUSE (la spia START/PAUSE lampeggerà lentamente di colore ambra); selezionare quindi il ciclo desiderato e premere nuovamente il tasto START/PAUSE.
Per aprire la porta mentre un ciclo è in corso premere il tasto START/PAUSE; se il simbolo OBLO' BLOCCATO  è spento sarà possibile aprire l'oblò. Premere nuovamente il tasto START/PAUSE per far ripartire il programma dal punto in cui era stato interrotto.
8. **FINE DEL PROGRAMMA.** Viene indicata dalla scritta “END” sul display, quando il simbolo OBLO' BLOCCATO  si spegnerà sarà possibile aprire l'oblò. Aprire l'oblò, scaricare la biancheria e spegnere la macchina.

! Se si desidera annullare un ciclo già avviato, premere a lungo il tasto . Il ciclo verrà interrotto e la macchina si spegnerà.

Programmi e opzioni

Tabella dei programmi

Programmi	Descrizione del Programma	Temp. max. (°C)	Velocità max. (giri al minuto)	Detersivi				Carico max. (Kg)	Umidità residua %	Consumo energia kWh	Acqua totale lt	Durata ciclo
				Prelavaggio	Lavaggio	Candeggina	Ammorbidente					
1	Antimacchia	40°	1000	●	●	-	●	4	-	-	-	180'
2	Bianchi	60°	1000	●	●	-	●	4	-	-	-	190'
	Cotone Standard 60° (1): Bianchi e colorati resistenti molto sporchi.	60° (Max. 90°)	1000	●(3)	●	●	●	6	62	0.91	54	160'
	Cotone Standard 40° (2): Bianchi e colorati delicati poco sporchi.	40°	1000	-	●	●	●	6	62	1.09	92	150'
5	Sintetici: Colori resistenti molto sporchi.	60°	800	●	●	●	●	3.5	49	0.87	42	90'
5	Sintetici (4): Colori resistenti poco sporchi.	40°	800	●	●	●	●	3.5	49	0.56	42	80'
6	Anti Allergy	60°	1000	-	●	●	●	4	-	-	-	200'
7	Baby	40°	1000	●	●	●	●	4	-	-	-	165'
8	Lana: Per lana, cachemire, ecc.	40°	800	-	●	-	●	1.5	-	-	-	80'
9	Delicati	30°	0	-	●	-	●	1	-	-	-	75'
10	Rapido 60': Per rinfrescare rapidamente capi sporchi (non indicato per lana, seta e capi da lavare a mano).	60°	1000	-	●	-	●	3.5	62	0.81	36	60'
11	Cotone Standard 20°: Bianchi e colorati delicati poco sporchi.	20°	1000	-	●	●	●	6	-	-	-	175'
12	Eco Cotone	Acqua fredda	1000	-	●	-	●	6	62	0.18	74	105'
13	Eco Sintetici	Acqua fredda	800	-	●	-	●	3	49	0.08	51	70'
14	Eco Rapido 30'	Acqua fredda	800	-	●	-	●	3	71	0.05	57	30'
	Risciacquo	-	1000	-	-	-	●	6	-	-	-	49'
	Centrifuga + Scarico	-	1000	-	-	-	-	6	-	-	-	16'

La durata del ciclo indicata sul display o sul libretto è una stima calcolata in base a condizioni standard. Il tempo effettivo può variare in base a numerosi fattori quali la temperatura e la pressione dell'acqua in ingresso, la temperatura ambiente, la quantità di detersivo, la quantità ed il tipo di carico, il bilanciamento del carico, le opzioni aggiuntive selezionate.

1) Programma di controllo secondo la direttiva 1061/2010: impostare il programma con una temperatura di 60°C.

Questo ciclo è adatto per pulire un carico di cotone normalmente sporco ed è il più efficiente in termini di consumo combinato di energia e di acqua, da usare su capi lavabili a 60 °C. La temperatura effettiva di lavaggio può differire da quella indicata.

2) Programma di controllo secondo la direttiva 1061/2010: impostare il programma con una temperatura di 40°C.

Questo ciclo è adatto per pulire un carico di cotone normalmente sporco ed è il più efficiente in termini di consumo combinato di energia e di acqua, da usare su capi lavabili a 40°C. La temperatura effettiva di lavaggio può differire da quella indicata.

3) Alla temperatura di 60° la funzione "Prelavaggio" non può essere attivata.

Per tutti Test Institutes:

2) Programma cotone lungo: impostare il programma con una temperatura di 40°C.

4) Programma sintetico lungo: impostare il programma 5 con una temperatura di 40°C.

Opzioni di lavaggio

Prelavaggio

Selezionando questa funzione si effettua il prelavaggio, utile per rimuovere macchie ostinate.

N.B.: Aggiungere il detersivo nell'apposito scomparto.

! Non è attivabile sui programmi (60°), , 6, 8, 9, 10, 11, 12, 13, 14, , .

Detersivi e biancheria

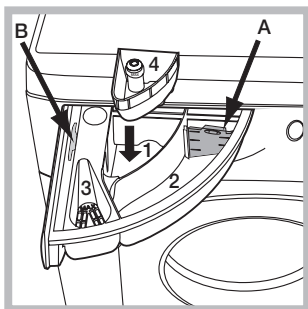
Cassetto dei detersivi

Il buon risultato del lavaggio dipende anche dal corretto dosaggio del detersivo: eccedendo non si lava in modo più efficace e si contribuisce a incrostare le parti interne della lavabiancheria e a inquinare l'ambiente.

! Usare detersivi in polvere per capi in cotone bianchi e per il prelavaggio e per lavaggi con temperatura superiore a 60°C.

! Seguire le indicazioni riportate sulla confezione di detersivo.

! Non usare detersivi per il lavaggio a mano, perché formano troppa schiuma.



Estrarre il cassetto dei detersivi e inserire il detersivo o l'additivo come segue.

vaschetta 1: Detersivo per prelavaggio (in polvere)

Prima di versare il detersivo verificare che non sia inserita la vaschetta aggiuntiva 4.

vaschetta 2: Detersivo per lavaggio (in polvere o liquido)

Nel caso di utilizzo di detersivo liquido si consiglia di utilizzare la paretina **A** in dotazione per un corretto dosaggio.

Per l'utilizzo del detersivo in polvere riporre la paretina nella cavità **B**.

vaschetta 3: Additivi (ammorbidente, ecc.)

L'ammorbidente non deve fuoriuscire dalla griglia.

vaschetta aggiuntiva 4: Candeggina

Preparare la biancheria

- Suddividere la biancheria secondo:
 - il tipo di tessuto / il simbolo sull'etichetta.
 - i colori: separare i capi colorati da quelli bianchi.
- Vuotare le tasche e controllare i bottoni.
- Non superare i valori indicati, riferiti al peso della biancheria asciutta: vedi "Tabella dei programmi".

Quanto pesa la biancheria?

- 1 lenzuolo 400-500 gr.
- 1 federa 150-200 gr.
- 1 tovaglia 400-500 gr.
- 1 accappatoio 900-1200 gr.
- 1 asciugamano 150-250 gr.

Programmi particolari

Antimacchia: il programma **1** è adatto al lavaggio di capi molto sporchi, con colori resistenti. Il programma garantisce una classe di lavaggio superiore alla classe standard (classe A). Non eseguire il programma mescolando capi di colore diverso. Si consiglia l'utilizzo di detersivo in polvere. Per macchie ostinate è consigliato il pretrattamento con additivi specifici.

Bianchi: utilizzare il ciclo **2** per il lavaggio dei capi bianchi. Il programma è studiato per il mantenimento della brillantezza del bianco nel tempo. Per risultati migliori si raccomanda l'utilizzo del detersivo in polvere.

Anti Allergy: utilizzare il programma **6** per la rimozione dei principali allergeni come polline, acari, peli del gatto e cane.

Baby: utilizzare il programma **7** per asportare lo sporco tipico dei bambini e rimuovere il detersivo dai panni onde evitare reazioni allergiche alla pelle delicata dei bambini. Questo ciclo è stato studiato per ridurre la carica batterica utilizzando una maggior quantità di acqua e ottimizzando l'effetto di additivi specifici igienizzanti aggiunti al detersivo.

Lana: il ciclo di lavaggio "Lana" di questa lavatrice Hotpoint-Ariston è stato testato e approvato dalla Woolmark Company per il lavaggio di capi in lana classificati come "lavabili a mano", purché il lavaggio venga eseguito nel rispetto delle istruzioni riportate sull'etichetta dell'indumento e delle indicazioni fornite dal produttore dell'elettrodomestico. Hotpoint-Ariston è la prima marca di lavatrici ad aver ottenuto dalla Woolmark Company la certificazione Woolmark Apparel Care - Platinum per le sue prestazioni di lavaggio e il consumo di acqua ed energia.



Delicati: utilizzare il programma **9** per il lavaggio dei capi molto delicati, che presentano applicazioni quali strass o paillettes.

Per il lavaggio dei capi in **seta e tende**, selezionare il ciclo **9** ed impostare il livello "Delicate" dell'opzione

Si raccomanda di rovesciare i capi prima del lavaggio e di inserire gli indumenti piccoli nell'apposito sacchetto per il lavaggio dei capi delicati. Per risultati migliori si raccomanda l'utilizzo del detersivo liquido per capi delicati.

Programmi Eco

I programmi Eco offrono buone performance di lavaggio a basse temperature consentendo un minore utilizzo di energia elettrica con un beneficio per l'ambiente e un risparmio economico. I programmi Eco (**12** Eco Cotone, **13** Eco Sintetici e **14** Eco Rapido 30') sono stati creati per diversi tipi di tessuto e per capi poco sporchi. Per garantire un risultato ottimale raccomandiamo l'uso di un detersivo liquido; si consiglia di pretrattare polsini, colli e macchie.

Cotone Standard 20° ideale per carichi in cotone sporchi. Le buone performance anche a freddo, comparabili con un lavaggio a 40°, sono garantite da un'azione meccanica che lavora con variazione di velocità a picchi ripetuti e ravvicinati

Sistema bilanciamento del carico

Prima di ogni centrifuga, per evitare vibrazioni eccessive e per distribuire il carico in modo uniforme, il cestello effettua delle rotazioni ad una velocità leggermente superiore a quella del lavaggio. Se al termine di ripetuti tentativi il carico non fosse ancora correttamente bilanciato la macchina effettua la centrifuga ad una velocità inferiore a quella prevista. In presenza di eccessivo sbilanciamento la lavabiancheria effettua la distribuzione anziché la centrifuga. Per favorire una migliore distribuzione del carico e il suo corretto bilanciamento si consiglia di mescolare capi grandi e piccoli.

Anomalie e rimedi

Può accadere che la lavabiancheria non funzioni. Prima di telefonare all'Assistenza (vedi "Assistenza"), controllare che non si tratti di un problema facilmente risolvibile aiutandosi con il seguente elenco.

Anomalie:

La lavabiancheria non si accende.

Il ciclo di lavaggio non inizia.

La lavabiancheria non carica acqua (Sul display viene visualizzata la scritta "H2O" lampeggiate).

La lavabiancheria carica e scarica acqua di continuo.

La lavabiancheria non scarica o non centrifuga.

La lavabiancheria vibra molto durante la centrifuga.

La lavabiancheria perde acqua.

Le spie delle "Opzioni" e dello START/PAUSE lampeggiano velocemente e il display visualizza un codice di anomalia (es.: F-01, F-..).

Si forma troppa schiuma.

Possibili cause / Soluzione:

- La spina non è inserita nella presa della corrente, o non abbastanza da fare contatto.
- In casa non c'è corrente.

- L'oblò non è ben chiuso.
- Il tasto ON/OFF non è stato premuto.
- Il tasto START/PAUSE non è stato premuto.
- Il rubinetto dell'acqua non è aperto.
- Si è impostato un ritardo sull'ora di avvio (PARTENZA RITARDATA, vedi "Come effettuare un ciclo di lavaggio").

- Il tubo di alimentazione dell'acqua non è collegato al rubinetto.
- Il tubo è piegato.
- Il rubinetto dell'acqua non è aperto.
- In casa manca l'acqua.
- Non c'è sufficiente pressione.
- Il tasto START/PAUSE non è stato premuto.

- Il tubo di scarico non è installato fra 65 e 100 cm da terra (vedi "Installazione").
- L'estremità del tubo di scarico è immersa nell'acqua (vedi "Installazione").
- Lo scarico a muro non ha lo sfiato d'aria.

Se dopo queste verifiche il problema non si risolve, chiudere il rubinetto dell'acqua, spegnere la lavabiancheria e chiamare l'Assistenza. Se l'abitazione si trova agli ultimi piani di un edificio, è possibile che si verifichino fenomeni di sifonaggio, per cui la lavabiancheria carica e scarica acqua di continuo. Per eliminare l'inconveniente sono disponibili in commercio apposite valvole anti-sifonaggio.

- Il programma non prevede lo scarico: con alcuni programmi occorre avviarlo manualmente.
- Il tubo di scarico è piegato (vedi "Installazione").
- La condotta di scarico è ostruita.

- Il cestello, al momento dell'installazione, non è stato sbloccato correttamente (vedi "Installazione").
- La lavabiancheria non è in piano (vedi "Installazione").
- La lavabiancheria è stretta tra mobili e muro (vedi "Installazione").

- Il tubo di alimentazione dell'acqua non è ben avvitato (vedi "Installazione").
- Il cassetto dei detersivi è intasato (per pulirlo vedi "Manutenzione e cura").
- Il tubo di scarico non è fissato bene (vedi "Installazione").

- Spegnere la macchina e togliere la spina dalla presa, attendere circa 1 minuto quindi riaccenderla.
Se l'anomalia persiste, chiamare l'Assistenza.

- Il detersivo non è specifico per lavabiancheria (deve esserci la dicitura "per lavatrice", "a mano e in lavatrice", o simili).
- Il dosaggio è stato eccessivo.

Assistenza

Prima di contattare l'Assistenza:

- Verificare se l'anomalia può essere risolta da soli (vedi "Anomalie e rimedi");
- Riavviare il programma per controllare se l'inconveniente è stato ovviato;
- In caso negativo, contattare il Numero Unico 199.199.199*.

! Non ricorrere mai a tecnici non autorizzati.

Comunicare:

- il tipo di anomalia;
- il modello della macchina (Mod.);
- il numero di serie (S/N).

Queste informazioni si trovano sulla targhetta applicata nella parte posteriore della lavabiancheria e nella parte anteriore aprendo l'oblò.

Assistenza Attiva 7 giorni su 7



In caso di necessità d'intervento chiamare il Numero Unico Nazionale 199.199.199*.

Un operatore sarà a completa disposizione per fissare un appuntamento con il Centro Assistenza Tecnico Autorizzato più vicino al luogo da cui si chiama.

È attivo 7 giorni su 7, sabato e domenica compresi, e non lascia mai inascoltata una richiesta.

* Al costo di 14,25 centesimi di Euro al minuto (iva inclusa) dal Lun. al Ven. dalle 08:00 alle 18:30, il Sab. dalle 08:00 alle 13:00 e di 5,58 centesimi di Euro al minuto (iva inclusa) dal Lun. al Ven. dalle 18:30 alle 08:00, il Sab. dalle 13:00 alle 08:00 e i giorni festivi, per chi chiama da telefono fisso. Per chi chiama da radiomobile le tariffe sono legate al piano tariffario dell'operatore telefonico utilizzato. Le suddette tariffe potrebbero essere soggette a variazione da parte dell'operatore telefonico; per maggiori informazioni consultare il sito www.hotpoint-ariston.it.

PL

Polski

WMSF 602

Spis treści

PL

Instalacja, 26-27

Rozpakowanie i wypoziomowanie
Podłączenia hydrauliczne i elektryczne
Pierwszy cykl prania
Dane techniczne

Utrzymanie i konserwacja, 28

Odłączenie wody i prądu elektrycznego
Czyszczenie pralki
Czyszczenie szufladki na środki piorące
Konserwacja okrągłych drzwiczek i bębna
Czyszczenie pompy
Kontrola przewodu doprowadzającego wodę

Zalecenia i środki ostrożności, 29

Ogólne zasady bezpieczeństwa
Utylizacja
Ręczne otwieranie okrągłych drzwiczek

Opis pralki, 30-31

Panel sterowania
Wyświetlacz

Jak wykonać cykl prania, 32

Programy i opcje, 33

Tabela programów
Opcje prania

Środki piorące i bielizna, 34

Szufladka na środki piorące
Przygotowanie bielizny
Programy specjalne

Nieprawidłowości w działaniu i sposoby ich usuwania, 35

Serwis Techniczny, 36

Instalacja

PL

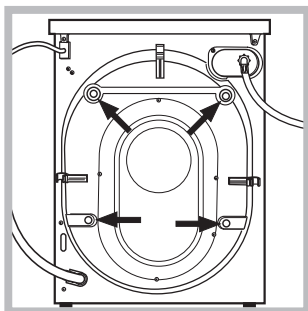
! Należy zachować niniejszą książeczkę, aby móc z niej skorzystać w każdej chwili. W przypadku sprzedaży, odstąpienia lub przeniesienia pralki w inne miejsce należy zadbać o przekazanie instrukcji wraz z nią, aby nowy właściciel mógł się zapoznać z działaniem urządzenia i z dotyczącymi go ostrzeżeniami.

! Należy uważnie przeczytać instrukcję obsługi: zawiera ona ważne informacje dotyczące instalacji oraz właściwego i bezpiecznego użytkowania pralki.

Rozpakowanie i wypoziomowanie

Rozpakowanie

1. Rozpakować pralkę.
2. Sprawdzić, czy nie doznała ona uszkodzeń w czasie transportu. W przypadku stwierdzenia uszkodzeń, nie podłączać pralki i skontaktować się ze sprzedawcą.



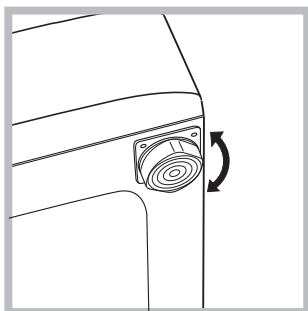
3. Odkręcić 4 śruby zabezpieczające urządzenie na czas transportu oraz zdjąć gumowy element z podkładką, znajdujący się w tylnej części pralki (patrz rysunek).

4. Zatkać otwory przy pomocy plastikowych zaślepek, znajdujących się w wyposażeniu urządzenia.

5. Zachować wszystkie części: w razie konieczności przewiezienia pralki w inne miejsce, powinny one zostać ponownie zamontowane.

! Części opakowania nie są zabawkami dla dzieci.

Poziomowanie



1. Ustawić pralkę na płaskiej i twardej podłodze, nie opierając jej o ściany, meble itp.

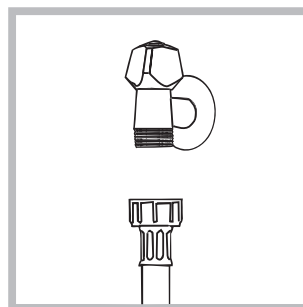
2. Jeśli podłoga nie jest idealnie pozioma, należy skompensować

nierówności, odkręcając lub dokręcając przednie nóżki (patrz rysunek); kąt nachylenia, zmierzony na górnym blacie pralki, nie powinien przekraczać 2°.

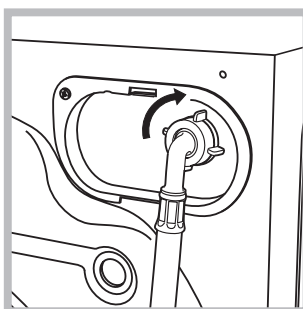
Staranne wypoziomowanie pralki zapewnia jej stabilność i zapobiega wibracjom, hałasowi oraz przesuwaniu się urządzenia w czasie pracy. W przypadku ustawienia na dywanie lub wykładzinie dywanowej, należy tak wyregulować nóżki, aby pod pralką pozostawała wolna przestrzeń niezbędna dla wentylacji.

Podłączenia hydrauliczne i elektryczne

Podłączenie przewodu doprowadzającego wodę



1. Podłącz przewód zasilający poprzez przykręcenie go do zaworu zimnej wody z końcówką gwintowaną (patrz rysunek): Przed podłączeniem spuszczać wodę do momentu, aż stanie się ona całkowicie przezroczysta.



2. Podłączyć do urządzenia przewód doprowadzający wodę, przykręcając go do odpowiedniego przyłącza wody, znajdującego się w tylnej części pralki, z prawej strony u góry (patrz rysunek).

3. Zwrócić uwagę, aby przewód nie był pozaginany ani przygnieciony.

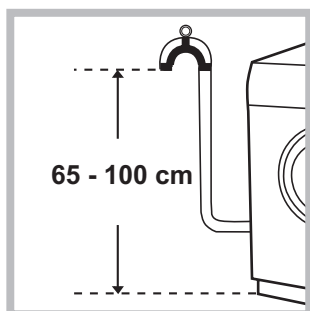
! Ciśnienie wody w kurku powinno mieścić się w przedziale podanym w tabeli Danych technicznych (patrz strona obok).

! Jeśli długość przewodu doprowadzającego wodę jest niewystarczająca, należy zwrócić się do specjalistycznego sklepu lub do autoryzowanego technika.

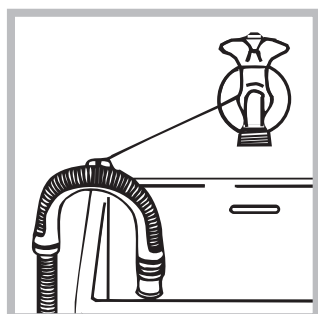
! Nigdy nie instalować przewodów, które były już używane.

! Stosować przewody znajdujące się w wyposażeniu urządzenia.

Podłączenie przewodu odpływowego



Podłączyć przewód odpływowy, nie zginając go, do rury ściekowej lub do otworu odpływowego w ścianie, które powinny się znajdować na wysokości od 65 do 100 cm od podłogi; albo oprzeć go na brzegu zlewu lub wanny, przymocowując do kranu prowadnik, znajdujący się w wyposażeniu pralki (patrz rysunek). Wolny koniec przewodu odpływowego nie



powinien być zanurzony w wodzie.

! Odradza się używanie rur przedłużających; jednak jeśli jest to konieczne, przedłużacz powinien mieć taki sam przekrój, jak oryginalna rura, a jego długość nie powinna przekraczać 150 cm.

Podłączenie elektryczne

Przed włożeniem wtyczki do gniazdka elektrycznego należy się upewnić, czy:

- gniazdko posiada uziemienie i jest zgodne z obowiązującymi przepisami;
- gniazdko jest w stanie wytrzymać maksymalne obciążenie mocy urządzenia, wskazane w tabeli Danych technicznych (patrz obok);
- napięcie zasilania mieści się w wartościach wskazanych w tabeli Danych technicznych (patrz obok);
- gniazdko pasuje do wtyczki pralki. W przeciwnym razie należy wymienić gniazdko lub wtyczkę.

! Nie należy instalować pralki na otwartym powietrzu, nawet w osłoniętym miejscu, gdyż wystawienie urządzenia na działanie deszczu i burz jest bardzo niebezpieczne.

! Po zainstalowaniu pralki gniazdko elektryczne powinno być łatwo dostępne.

! Nie używać przedłużaczy ani rozgałęźników.

! Kabel nie powinien być pozginany ani przygnieciony.

! Przewód zasilania elektrycznego może być wymieniany wyłącznie przez autoryzowanych techników.

Uwaga! Producent nie ponosi żadnej odpowiedzialności, jeśli powyższe zasady nie będą przestrzegane.

Pierwszy cykl prania

Po zainstalowaniu pralki, przed przystąpieniem do jej użytkowania, należy wykonać jeden cykl prania ze środkiem piorącym, ale bez wsadu, nastawiając program "OPCJA CZYSZCZENIA PRALKI".

Dane techniczne

Model	WMSF 602
Wymiary	szerokość cm 59,5 wysokość cm 85 głębokość cm 43,5
Pojemność	od 1 do 6 kg
Dane prądu elektrycznego	dane techniczne umieszczone są na tabliczce na maszynie
Dane sieci wodociągowej	Maksymalne ciśnienie 1 MPa (10 barów) ciśnienie minimalne 0,05 MPa (0,5 barów) pojemność bębna 48 litrów
Szybkość wirowania	do 1000 obrotów na minutę
Programy testowe zgodnie z dyrektywami 1061/2010 i 1015/2010	Program ; Bawełna standard 60°C; Program ; Bawełna standard 40°C.
 	Urządzenie to zostało wyprodukowane zgodnie z następującymi przepisami CE: - 2004/108/CE (o Kompatybilności Elektromagnetycznej) - 2002/96/CE - 2006/95/CE (o Niskim Napięciu)

Utrzymanie i konserwacja

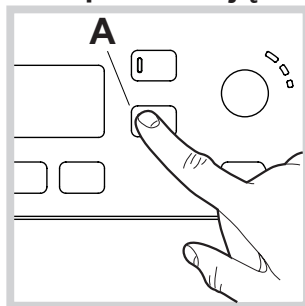
PL

Odlączenie wody i prądu elektrycznego

- Zamknąć kurek dopływu wody po każdym praniu. W ten sposób zmniejsza się zużycie instalacji hydraulicznej pralki oraz eliminuje się niebezpieczeństwo wycieków.
- Przed przystąpieniem do czyszczenia pralki oraz do czynności konserwacyjnych wyjąć wtyczkę z gniazdka.

Czyszczenie pralki

- Obudowę zewnętrzną i gumowe części pralki można myć ściereczką zmoconą w letniej wodzie z mydłem. Nie stosować rozpuszczalników ani ściernych środków czyszczących.
- Pralka jest wyposażona w program "OPCJA CZYSZCZENIA PRALKI" części wewnętrznych, który należy przeprowadzać **nie wprowadzając niczego do kosza pralki.**

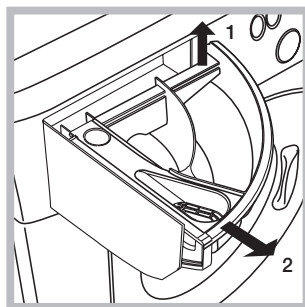


Środek piorący (w ilości równej 10% ilości zalecanej dla lekko zabrudzonej odzieży) lub dodatki przeznaczone specjalnie do czyszczenia pralek, mogą zostać użyte jako środki

pomocnicze podczas programu czyszczenia. Zaleca się przeprowadzanie programu czyszczenia co 40 cykli prania. W celu uruchomienia programu, należy nacisnąć przycisk **A** przez 5 sek. (zob. rysunek).

Program rozpocznie się automatycznie i będzie trwał około 70 minut. W celu zakończenia cyklu, należy nacisnąć przycisk START/PAUSE.

Czyszczenie szufladki na środki piorące



Wysunąć szufladkę, unosząc ją lekko ku górze i wyciągając na zewnątrz (patrz rysunek). Wyplukać szufladkę pod bieżącą wodą. Czynność tę należy wykonywać stosunkowo często.

Konserwacja okrągłych drzwiczek i bębna

- Drzwiczki pralki należy zawsze

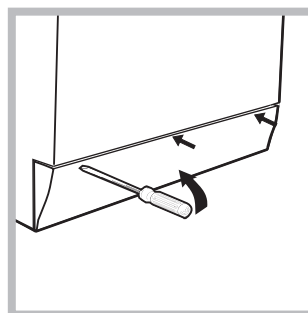
pozostawiać uchylone, aby zapobiec tworzeniu się nieprzyjemnych zapachów.

Czyszczenie pompy

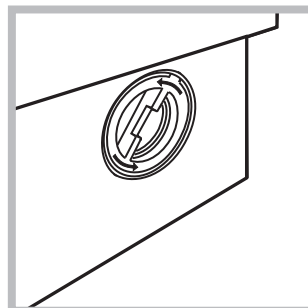
Pralka wyposażona jest w pompę samoczyszczącą, która nie wymaga zabiegów konserwacyjnych. Może się jednak zdarzyć, że drobne przedmioty (monety, guziki) wpadną do komory wstępnej zabezpieczającej pompę, która znajduje się w jej dolnej części.

! Należy się upewnić, że cykl prania został zakończony i wyjąć wtyczkę z gniazdka.

Aby dostać się do komory wstępnej:



1. zdjąć panel pokrywy z przedniej strony pralki przy pomocy śrubokrętu (patrz rysunek);



2. odkręcić pokrywę, obracając ją w kierunku przeciwnym do ruchu wskazówek zegara (patrz rysunek): wypłynięcie niewielkiej ilości wody jest normalnym zjawiskiem;

3. dokładnie wyczyścić wnętrze;
4. ponownie przykręcić pokrywę;
5. ponownie założyć panel upewniwszy się, przed dociśnięciem go do maszyny, czy zatrzaski zostały umieszczone w odpowiednich otworach.

Kontrola przewodu doprowadzającego wodę

Przynajmniej raz w roku należy sprawdzić przewód doprowadzający wodę. Jeśli widoczne są na nim pęknięcia i rysy, należy go wymienić: w trakcie prania duże ciśnienie może bowiem spowodować jego nagłe rozerwanie.

! Nigdy nie instalować już używanych przewodów.

Zalecenia i środki ostrożności

! Pralka została zaprojektowana i wyprodukowana zgodnie z międzynarodowymi normami bezpieczeństwa. Niniejsze ostrzeżenia zostały tu zamieszczone ze względów bezpieczeństwa i należy je uważnie przeczytać.

Ogólne zasady bezpieczeństwa

- Urządzenie to zostało zaprojektowane wyłącznie do użytkowania w warunkach domowych.
- Z niniejszego urządzenia mogą korzystać dzieci powyżej 8 roku życia i osoby o ograniczonych zdolnościach fizycznych, zmysłowych bądź umysłowych, jak również osoby nieposiadające doświadczenia lub znajomości urządzenia, jeśli znajdują się one pod nadzorem innych osób lub jeśli zostały pouczone na temat bezpiecznego sposobu użycia urządzenia oraz zdają sobie sprawę ze związanych z nim zagrożeń. Dzieci nie powinny bawić się urządzeniem. Prace związane z czyszczeniem i konserwacją nie mogą być wykonywane przez dzieci, jeśli nie są one nadzorowane.
- Nie dotykać pralki stojąc przy niej boso lub mając mokre lub wilgotne ręce albo stopy.
- Nie wyjmować wtyczki z gniazdka ciągnąc za kabel, należy trzymać za wtyczkę.
- W trakcie pracy maszyny nie otwierać szufladki na środki piorące.
- Nie dotykać odprowadzanej wody, gdyż może ona być bardzo gorąca.
- W żadnym wypadku nie otwierać na siłę drzwiczek pralki: grozi to uszkodzeniem mechanizmu zabezpieczającego drzwiczki przed przypadkowym otwarciem.
- W razie wystąpienia usterki nie należy w żadnym wypadku ingerować w wewnętrzne części pralki z zamiarem samodzielnego dokonania naprawy.
- Zawsze uważać, aby dzieci nie zbliżyły się do pracującej pralki.
- W czasie prania drzwiczki pralki nagrzewają się.
- Jeśli trzeba przenieść pralkę w inne miejsce, należy to robić bardzo ostrożnie, w dwie lub trzy osoby. Nigdy nie należy samodzielnie przenosić urządzenia, gdyż jest ono bardzo ciężkie.
- Przed włożeniem bielizny sprawdzić, czy bęben jest pusty.

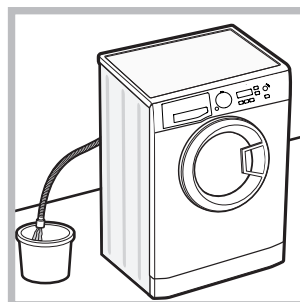
Utylizacja

- Utylizacja opakowania: stosować się do lokalnych przepisów, dzięki temu opakowanie będzie mogło zostać ponownie wykorzystane.
- Dyrektywa europejska 2002/96/WE dotycząca odpadów urządzeń elektrycznych i elektronicznych przewiduje, że elektryczne urządzenia gospodarstwa domowego nie powinny być utylizowane w normalnym ciągu utylizacji stałych odpadów miejskich. Stare urządzenia powinny być zbierane oddzielnie, aby

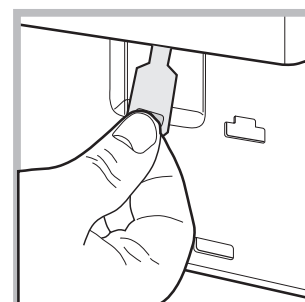
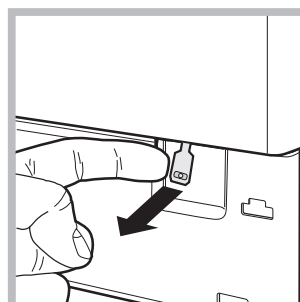
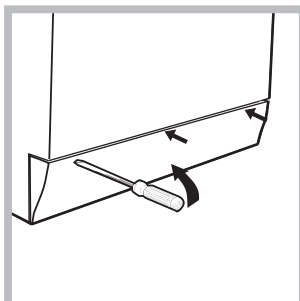
zoptymalizować stopień odzysku i recykulacji materiałów, z których są one zbudowane, oraz aby zapobiec potencjalnym szkodom dla zdrowia i środowiska. Symbol przekreślonego kosza jest umieszczony na wszystkich produktach w celu przypominania o obowiązku ich segregacji. Właściciele urządzeń gospodarstwa domowego mogą uzyskać dodatkowe informacje dotyczące ich prawidłowej utylizacji, zwracając się do odpowiednich służb publicznych lub do sprzedawców tych urządzeń.

Ręczne otwieranie okrągłych drzwiczek

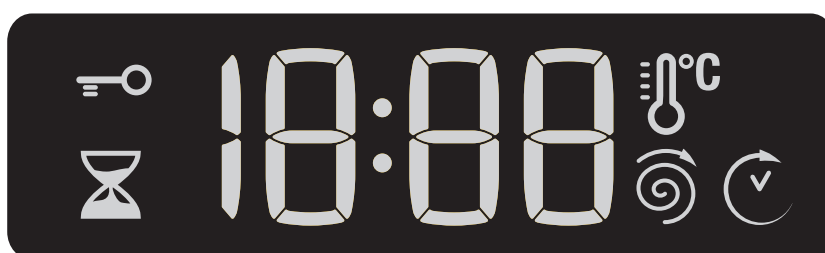
Jeśli z powodu przerwy w dostawie energii elektrycznej nie jest możliwe otwarcie okrągłych drzwiczek, w celu wyjęcia i rozwieszenia prania należy wykonać następujące czynności:



1. wyjąć wtyczkę z gniazdka elektrycznego.
2. sprawdzić, czy poziom wody wewnątrz maszyny znajduje się poniżej poziomu otwarcia drzwiczek; w przeciwnym wypadku usunąć nadmiar wody przez przewód odpływowy, zbierając ją do wiaderka w sposób wskazany na rysunku.
3. zdjąć panel pokrywy z przedniej strony pralki przy pomocy śrubokrętu (patrz rysunek).



4. pociągnąć na zewnątrz klapkę wskazaną na rysunku, aż do wyzwolenia się z zacisku plastikowego zaczepu; następnie pociągnąć go w dół i równocześnie otworzyć drzwiczki.
5. ponownie założyć panel upewniwszy się, przed dociśnięciem go do maszyny, czy zatrzaski zostały umieszczone w odpowiednich otworach.




Wyświetlacz pomaga zaprogramować urządzenie i dostarcza wielu informacji.

Wyświetlony zostaje czas trwania dostępnych programów, a po uruchomieniu cyklu czas pozostały do jego zakończenia; natomiast jeśli została ustawiona funkcja OPÓŹNIENIE STARTU, wyświetla się czas pozostający do momentu rozpoczęcia wybranego programu.

Ponadto, po naciśnięciu odpowiednich przycisków wyświetlają się maksymalne wartości szybkości wirowania i temperatury dla ustawionego programu lub ostatnie zaprogramowane wartości, jeśli są one odpowiednie dla wybranego programu.




Kontrolka **BLOKADY DRZWICZEK**


Jeśli symbol się świeci, oznacza to, że drzwiczki są zablokowane. Aby uniknąć uszkodzenia pralki, przed przystąpieniem do otwierania drzwiczek należy odczekać, aż symbol ten zgaśnie. Aby otworzyć drzwiczki w trakcie trwania cyklu, należy nacisnąć przycisk START/PAUSE; kiedy symbol BLOKADY DRZWICZEK  zgaśnie, można otworzyć drzwiczki.

Jak wykonać cykl prania


PL

- 1. WŁĄCZENIE MASZYNY.** Nacisnąć przycisk , kontrolka START/PAUSE zacznie powoli pulsować w kolorze zielonym.
- 2. ZAŁADOWAĆ BIELIZNĘ.** Otworzyć drzwiczki. Włożyć bieliznę, uważając, aby nie przekroczyć wielkości wsadu wskazanej w tabeli programów znajdującej się na następnej stronie.
- 3. WSYPAĆ ŚRODEK PIORĄCY.** Wysunąć szufladkę i umieścić środek piorący w odpowiednich komorach zgodnie ze wskazówkami zawartymi w rozdziale „Środki piorące i bielizna”.
- 4. ZAMKNAĆ DRZWICZKI.**
- 5. WYBRAĆ PROGRAM.** Przy pomocy pokrętki PROGRAMY wybrać żądany program; ma on wstępnie ustawioną temperaturę i prędkość wirowania, jednak wartości te można zmienić. Na wyświetlaczu pojawi się czas trwania cyklu.
- 6. SPERSONALIZOWAĆ CYKL PRANIA.** Naciskać odpowiednie przyciski:


 **Zmienić temperaturę i/lub prędkość wirowania.** Urządzenie automatycznie wyświetla maksymalne wartości temperatury i prędkości wirowania dla ustawionego programu lub ostatnie wybrane wartości, jeśli są one zgodne z ustawionym programem. Naciskając przycisk  stopniowo zmniejsza się temperaturę, aż do prania na zimno „OFF”. Naciskając przycisk  stopniowo zmniejsza się prędkość wirowania, aż do jego wyłączenia „OFF”. Dodatkowe naciśnięcie przycisków przywróci maksymalne dostępne wartości.

! Wyjątek: wybierając program  temperaturę można podnieść aż do 90°.

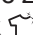
 **Ustawić start z opóźnieniem.**


W celu ustawienia opóźnionego rozpoczęcia wybranego programu należy naciskać odpowiedni przycisk aż do osiągnięcia żadanego czasu opóźnienia. Kiedy ta opcja jest aktywna, na wyświetlaczu zaświeca się symbol . Aby anulować opóźnienie startu, należy naciskać przycisk do momentu pojawienia się na wyświetlaczu napisu „OFF”.

Ustawić żądany stopień intensywności prania.

Opcja  umożliwi optymalizację prania w zależności od stopnia zabrudzenia tkanin oraz żądanej intensywności prania.

Wybrać program prania, cykl zostanie automatycznie ustawiony na poziomie „Normal”, przeznaczonym dla średnio zabrudzonej odzieży, (ustawienie to nie stosuje się dla cyklu „Wełna”, który ustawia się automatycznie na poziomie „Delicate”).

W przypadku silnie zabrudzonej odzieży, należy nacisnąć przycisk  aż do przejścia do poziomu



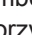
„Intensive”. Poziom ten gwarantuje wysokiej jakości pranie, dzięki użyciu większej ilości wody w początkowej fazie cyklu i intensywniejszym ruchom mechanicznym służy do usuwania najoporniejszych plam. Może być używany **z wybielaczem i bez niego**. Jeśli chce się przeprowadzić wybielanie, należy włożyć dodatkową szufladkę **4**, znajdującą się w wyposażeniu, do szufladki **1**. Nie przekraczać poziomu „max” wybielacza w płynie, podanej na środkowym wskaźniku (zobacz rysunek na str. 34). W przypadku lekko zabrudzonej odzieży lub w celu delikatnego obchodzenia się z tkaninami, należy nacisnąć przycisk  aż do przejścia do poziomu „Delicate”. Cykl zredukuje ruchy mechaniczne, aby zagwarantować doskonały efekt prania delikatnej odzieży.

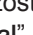
Zmiana charakterystyki cyklu.

- Naciskać przycisk w celu włączenia opcji; zaświeci się kontrolka odpowiadająca przyciskowi.
- Ponownie nacisnąć przycisk w celu wyłączenia opcji; kontrolka zgaśnie.

! Jeśli wybrana opcja jest niezgodna z ustawionym programem, kontrolka będzie pulsować i opcja nie zostanie włączona.

! W zależności od opcji może się zmieniać zalecana objętość wsadu i/lub czas trwania cyklu.

- 7. URUCHOMIĆ PROGRAM.** Nacisnąć przycisk START/PAUSE. Odpowiednia kontrolka zaświeci się kolorem zielonym i drzwiczki zostaną zablokowane (włączy się symbol BLOKADY DRZWICZEK ). W celu zmiany programu w czasie trwania cyklu należy ustawić pralkę w trybie pauzy, naciskając przycisk START/PAUSE (kontrolka START/PAUSE zacznie powoli pulsować bursztynowym światłem); następnie wybrać żądany cykl i ponownie nacisnąć przycisk START/PAUSE. W celu otwarcia drzwiczek w trakcie trwania cyklu należy nacisnąć przycisk START/PAUSE; kiedy symbol BLOKADY DRZWICZEK  zgaśnie, można otworzyć drzwiczki. Nacisnąć ponownie przycisk START/PAUSE, aby uruchomić program od momentu, w którym został on przerwany.
- 8. KONIEC PROGRAMU.** Wskazywany jest przez napis „END” na wyświetlaczu, kiedy symbol BLOKADY DRZWICZEK  zgaśnie, można otworzyć drzwiczki. Otworzyć drzwiczki, wyjąć bieliznę i wyłączyć urządzenie.

! Aby anulować już rozpoczęty cykl, należy długo przytrzymać wciśnięty przycisk . Cykl zostanie przerwany i urządzenie wyłączy się.

Programy i opcje

Tabela programów

Programy	Opis programu	Temp. maks. (°C)	Prędkość maks. (obroty na minutę)	Środki piorące i dodatki				Wsad maks. (kg)	Wilgotność re-sztkowa%	Zużycie energii kWh	Woda łącznie lt	Czas trwania cyklu
				Pranie wstępne	Pranie	Wybielacz	Środek zmiękczający					
1	Odplamianie	40°	1000	●	●	-	●	4	-	-	-	180'
2	Białe	60°	1000	●	●	-	●	4	-	-	-	190'
	Bawełna Standard 60° (1): tkaniny białe i kolorowe, wytrzymałe, mocno zabrudzone.	60° (Max. 90°)	1000	●(3)	●	●	●	6	62	0.91	54	160'
	Bawełna Standard 40° (2): tkaniny białe lekko zabrudzone i delikatne kolorowe.	40°	1000	-	●	●	●	6	62	1.09	92	150'
5	Syntetyczne: tkaniny kolorowe, wytrzymałe, mocno zabrudzone	60°	800	●	●	●	●	3.5	49	0.87	42	90'
5	Syntetyczne (4): tkaniny kolorowe, wytrzymałe, lekko zabrudzone.	40°	800	●	●	●	●	3.5	49	0.56	42	80'
6	Antyalergiczny	60°	1000	-	●	●	●	4	-	-	-	200'
7	Baby	40°	1000	●	●	●	●	4	-	-	-	165'
8	Wełna: do wełny, kaszmiru, itp.	40°	800	-	●	-	●	1.5	-	-	-	80'
9	Delikatne	30°	0	-	●	-	●	1	-	-	-	75'
10	Szybkie Pranie 60°: W celu szybkiego odświeżenia zabrudzonych tkanin (nie wskazany dla wełny, jedwabiu i tkanin przeznaczonych do prania ręcznego).	60°	1000	-	●	-	●	3.5	62	0.81	36	60'
11	Bawełna Standard 20°: tkaniny białe lekko zabrudzone i delikatne kolorowe.	20°	1000	-	●	●	●	6	-	-	-	175'
12	Bawełna	zimna woda	1000	-	●	-	●	6	62	0.18	74	105'
13	Syntetyczne	zimna woda	800	-	●	-	●	3	49	0.08	51	70'
14	Szybki 30'	zimna woda	800	-	●	-	●	3	71	0.05	57	30'
	Płukanie	-	1000	-	-	-	●	6	-	-	-	49'
	Wirowanie + Odprowadzanie Wody	-	1000	-	-	-	-	6	-	-	-	16'

Czas trwania cyklu wskazany na wyświetlaczu lub w instrukcji jest czasem oszacowanym dla standardowych warunków. Rzeczywisty czas trwania cyklu może się zmieniać w zależności od wielu czynników, takich jak temperatura i ciśnienie wody na wlocie, temperatura otoczenia, ilość detergentu, ilość i rodzaj pranej odzieży, wyważenie ładunku, wybrane opcje dodatkowe.

1) Program sterowania zgodny z normą 1061/2010: ustawić program z temperaturą 60°C.

Ten cykl jest odpowiedni do prania średnio zabrudzonej odzieży bawełnianej i jest najbardziej wydajnym cyklem pod względem łącznego zużycia energii elektrycznej i wody; należy go używać do odzieży przeznaczonej do prania w 60°C. Rzeczywista temperatura prania może się różnić od podanej.

2) Program sterowania zgodny z normą 1061/2010: ustawić program z temperaturą 40°C.

Ten cykl jest odpowiedni do prania średnio zabrudzonej odzieży bawełnianej i jest najbardziej wydajnym cyklem pod względem łącznego zużycia energii elektrycznej i wody; należy go używać do odzieży przeznaczonej do prania w 40°C. Rzeczywista temperatura prania może się różnić od podanej.

3) W temperaturze 60 °C nie można włączyć funkcji "Pranie wstępne".

Dla wszystkich Test Institutes:

2) Program bawełna, długi: ustawić program z temperaturą 40°C.

4) Program tkaniny syntetyczne długi: ustawić program 5 z temperaturą 40°C.

Opcje prania

Pranie wstępne

W przypadku wyboru tej funkcji zostanie wykonane pranie wstępne, które ułatwia usunięcie uporczywych plam.

N.B. Należy umieścić środek piorący w odpowiedniej przegródce.

! Funkcja ta nie jest dostępna w przypadku programów

(60°), (40°C), 6, 8, 9, 10, 11, 12, 13, 14, , .

Środki piorące i bielizna

PL

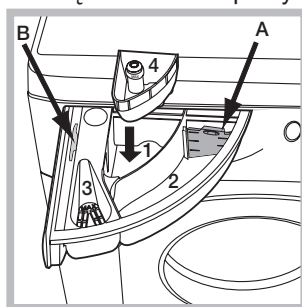
Szufladka na środki piorące

Dobry rezultat prania zależy również od prawidłowego dozowania środka piorącego: użycie jego nadmiernej ilości nie poprawia skuteczności prania, lecz przyczynia się do powstawania natotów na wewnętrznych częściach pralki i do zanieczyszczania środowiska.

! piorące w proszku należy stosować do tkanin z białej bawełny i do prania wstępnego oraz do prania w temperaturze przekraczającej 60°C. Środki

! Należy stosować się do zaleceń podanych na opakowaniu środka piorącego.

! Nie stosować środków do prania ręcznego, ponieważ tworzą one za dużo piany.



Wysunąć szufladkę i umieścić w niej środek piorący lub dodatkowy w następujący sposób.

Przegródka 1: Środek piorący do prania wstępnego (w proszku)

Przed wsypaniem środka piorącego należy sprawdzić,

czy nie jest włożony dodatkowy pojemnik 4.

Przegródka 2: Środek piorący do prania zasadniczego (w proszku lub w płynie)

W przypadku stosowania środka piorącego w płynie, zaleca się użycie ścianki A dostarczonej na wyposażeniu, która ułatwia prawidłowe dozowanie. W celu użycia środka piorącego w proszku, należy wsunąć ściankę w zgłębienie B.

Przegródka 3: Środki dodatkowe (zmiękczające, itp.)
Środek zmiękczający nie powinien wypływać poza kratkę.

Dodatkowy pojemnik 4: Wybielacz

Przygotowanie bielizny

- Podzielić bieliznę do prania według:
 - rodzaju tkaniny / symbolu na etykiecie.
 - kolorów: oddzielić tkaniny kolorowe od białych.
- Opróżnić kieszenie i sprawdzić guziki.
- Nie przekraczać wskazanego ciężaru suchej bielizny: patrz "Tabela programów".

Ile waży bielizna?

- 1 prześcieradło 400-500 gr.
- 1 poszewka 150-200 gr.
- 1 obrus 400-500 gr.
- 1 szlafrok 900-1.200 gr.
- 1 ręcznik 150-250 gr.

Programy specjalne

Odblamianie: program 1 odpowiedni do prania silnie zabrudzonej odzieży o trwałych kolorach. Program gwarantuje klasę prania wyższą od standardowej (klasa A). Nie używać programu, gdy miesza się odzież w różnych kolorach. Zalecamy stosowanie środka piorącego w proszku. W przypadku szczególnie opornych plam, zalecamy wcześniej zastosowanie specjalnych dodatków.

Białe: z cyklu 2 należy korzystać do prania białych tkanin. Program został opracowany tak, aby chronił przed szarzeniem białych tkanin.

W celu osiągnięcia najlepszych wyników zaleca się stosowanie detergentu w proszku


Antyalergiczny: programu 6 należy używać do usuwania głównych alergenów, takich jak pyłki, roztocza, sierść kotów i psów.

Baby: Program 7 ten umożliwia usunięcie z odzieży zabrudzeń typowych dla dzieci, zapewniając przy tym całkowite wypłukanie środka piorącego z tkanin, aby uniknąć reakcji alergicznych, jakie mógłby on wywołać na delikatnej skórze dziecka. Cykl ten został opracowany w celu ograniczenia liczby bakterii poprzez wykorzystanie większej ilości wody i optymalizację działania specjalnych dodatków higienizujących, którymi uzupełniany jest środek piorący.

Wełna: Cykl prania „Wełna” niniejszej pralki Hotpoint-Ariston został przetestowany i zatwierdzony przez Woolmark Company jako odpowiedni do prania odzieży wełnianej przeznaczonej wyłącznie do prania ręcznego, pod warunkiem, że pranie jest przeprowadzane zgodnie z instrukcjami podanymi na etykiecie ubrania oraz ze wskazówkami dostarczonymi przez producenta urządzenia. Hotpoint-Ariston to pierwsza marka pralek, która uzyskała od Woolmark Company certyfikat Woolmark Apparel Care - Platinum ze względu na osiągnięte rezultaty prania oraz zużycie wody i energii.



Delikatne: używać programu 9 do prania bardzo delikatnej odzieży, ozdobionej cekinami lub koralikami.

Do prania **jedwabiu** i **zaślin**, należy wybrać cykl 9 i ustawić poziom „Delicate” opcji .

Zalecamy wywrócenie ubrań na lewą stronę i włożenie małych części odzieży do woreczka przeznaczonego specjalnie do prania delikatnych ubrań. Dla osiągnięcia najlepszych efektów, zalecamy stosowanie środka piorącego w płynie do tkanin delikatnych.

Programy Eco

Programy Eco dają dobre wyniki prania w niskich temperaturach, umożliwiając mniejsze zużycie energii elektrycznej, co przekłada się na korzyści dla środowiska naturalnego oraz oszczędności pieniężne.

Programy Eco (12 Bawełna, 13 Syntetyczne i 14 Szybki 30') zostały utworzone dla różnych rodzajów tkanin i dla odzieży mało zabrudzonej. Dla osiągnięcia najlepszych rezultatów zalecamy stosowanie środka piorącego w płynie; przed praniem użyć odpowiedniego środka do czyszczenia kołnierzyków, mankietów i usuwania plam.

Bawełna Standard 20° idealny do zabrudzonej bielizny bawełnianej. Dobre wyniki prania w zimnej wodzie, porównywalne z praniem w 40°, są gwarantowane dzięki działaniu mechanicznemu, wykonywanemu ze zmienną prędkością, której maksymalne wartości powtarzają się w krótkich odstępach czasu.

System równoważenia wsadu

Przed każdym wirowaniem, aby uniknąć nadmiernych drgań oraz jednorodnie rozłożyć wsad, bęben wykonuje obroty z prędkością nieco większą niż podczas prania. Jeśli po kilku próbach wsad nie zostanie prawidłowo zrównoważony, urządzenie wykona wirowanie z prędkością mniejszą od przewidywanej. W przypadku wystąpienia nadmiernego niezrównoważenia wsadu pralka dokona jego rozłożenia zamiast odwirowania. Aby zapewnić lepsze rozłożenie wsadu oraz jego właściwe zrównoważenie zaleca się mieszanie dużych i małych sztuk bielizny.

Nieprawidłowości w działaniu i sposoby ich usuwania

Może się zdarzyć, że pralka nie działa. Przed wezwaniem Serwisu Technicznego (*patrz „Serwis Techniczny”*) należy sprawdzić, czy problemu nie da się łatwo rozwiązać korzystając z poniższego wykazu.

Nieprawidłowości w działaniu: Możliwe przyczyny / Rozwiązania:

Pralka nie włącza się.

- Wtyczka nie jest włączona do gniazdka lub jest wsunięta za słabo, w taki sposób, że nie ma styku.
- W domu nie ma prądu.

Cykl prania nie rozpoczyna się.

- Drzwiczki nie są dokładnie zamknięte.
- Nie został wciśnięty przycisk ON/OFF.
- Nie został wciśnięty przycisk START/PAUSE.
- Kurek dopływu wody jest zamknięty.
- Zostało ustawione opóźnienie godziny rozpoczęcia prania.

Pralka nie pobiera wody (Na wyświetlaczu pulsuje napis H2O).

- Przewód doprowadzający wodę nie jest podłączony do zaworu.
- Przewód jest pozaginany.
- Kurek dopływu wody jest zamknięty.
- W domu nastąpiła przerwa w dostawie wody.
- Ciśnienie wody nie jest wystarczające.
- Nie został wciśnięty przycisk START/PAUSE.

Pralka cały czas pobiera i odprowadza wodę.

- Przewód odpływowy nie został zainstalowany na wysokości między 65 a 100 cm od podłogi (*patrz “Instalacja”*).
- Końcówka przewodu odpływowego jest zanurzona w wodzie (*patrz “Instalacja”*).
- Otwór odpływowy w ścianie nie posiada odpowietrznika.

Jeśli po sprawdzeniu tych możliwości problem nie zostanie rozwiązany, należy zamknąć kurek dopływu wody, wyłączyć pralkę i wezwać Serwis Techniczny. Jeśli mieszkanie znajduje się na najwyższych piętrach budynku, może wystąpić efekt syfonu, w wyniku którego pralka cały czas pobiera i odprowadza wodę. W celu wyeliminowania tej niedogodności należy zakupić specjalny zawór, zapobiegający powstawaniu efektu syfonu.

Pralka nie odprowadza wody i nie odwirowuje prania.

- Program nie przewiduje odprowadzania wody: w przypadku niektórych programów należy uruchomić je ręcznie.
- Przewód odpływowy jest pozaginany (*patrz “Instalacja”*).
- Instalacja ściekowa jest zatkana.

Pralka mocno wibruje w fazie wirowania.

- Podczas instalacji pralki bęben nie został prawidłowo odblokowany (*patrz “Instalacja”*).
- Pralka nie jest właściwie wypoziomowana (*patrz “Instalacja”*).
- Pralka, zainstalowana pomiędzy meblami a ścianą, ma za mało miejsca (*patrz “Instalacja”*).

Z pralki wycieka woda.

- Przewód doprowadzający wodę nie jest dobrze przykręcony (*patrz “Instalacja”*).
- Szufładka na środki piorące jest zatkana (w celu jej oczyszczenia *patrz “Utrzymanie i konserwacja”*).
- Przewód odpływowy nie jest dobrze zamocowany (*patrz “Instalacja”*).

Kontrolki “Opcje” oraz START/PAUSE szybko pulsują, a na wyświetlaczu pojawia się kod nieprawidłowości (np.: F-01, F-..).

- Wyłączyć urządzenie i wyjąć wtyczkę z gniazdka, odczekać około 1 minuty, następnie włączyć je ponownie. Jeśli problem nie ustępuje, należy wezwać Serwis Techniczny.

Tworzy się zbyt duża ilość piany.

- Środek piorący nie jest odpowiedni do pralek automatycznych (na opakowaniu musi być napisane: “do pralek”, “do prania ręcznego i w pralce” itp.).
- Użyto za dużo środka piorącego.

Serwis Techniczny

PL

Przed skontaktowaniem się z Serwisem Technicznym:

- Sprawdzić, czy problemu nie można rozwiązać samodzielnie (*patrz "Nieprawidłowości w działaniu i sposoby ich usuwania"*);
- Ponownie uruchomić program i sprawdzić, czy problem nie zniknął;
- W przeciwnym wypadku skontaktować się z Serwisem Technicznym.

! Nigdy nie wzywać nieautoryzowanych techników.

Należy podać:

- rodzaj nieprawidłowości;
- model urządzenia (Mod.);
- numer seryjny (S/N).

Informacje te znajdują się na tabliczce umieszczonej w tylnej części pralki oraz widocznej z przodu po otwarciu drzwiczek.

CZ

Česky

WMSF 602

Obsah

Instalace, 38-39

Rozbalení a vyrovnaní do vodorovné polohy
Připojení k elektrické a k vodovodní síti
První prací cyklus
Technické údaje

Údržba a péče, 40

Uzavření přívodu vody a vypnutí elektrického napájení
Čištění pračky
Čištění dávkovače pracích prostředků
Péče o dvířka a buben
Čištění čerpadla
Kontrola přítokové hadice na vodu

Opatření a rady, 41

Základní bezpečnostní pokyny
Likvidace
Manuální otevření dvířek

Popis pračky, 42-43

Ovládací panel
Displej

Jak provést prací cyklus, 44

Programy a volitelné funkce, 45

Tabulka programů
Volitelné funkce praní

Prací prostředky a prádlo, 46

Dávkovač pracích prostředků
Příprava prádla
Speciální programy

Poruchy a způsob jejich odstranění, 47

Servisní služba, 48

CZ

Instalace

CZ

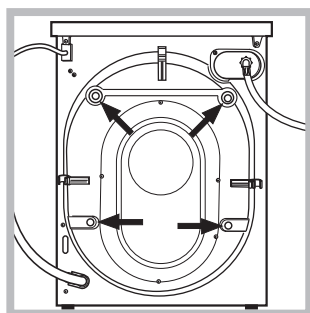
! Je důležité uschovat tento návod tak, abyste jej mohli kdykoli konzultovat. V případě prodeje, darování nebo přestěhování pračky se ujistěte, že zůstane uložen v blízkosti pračky, aby mohl posloužit novému majiteli při seznámení s její činností a s příslušnými upozorněními.

! Pozorně si přečtěte uvedené pokyny: Obsahují důležité informace týkající se instalace, použití a bezpečnosti při práci.

Rozbalení a vyrovnaní do vodorovné polohy

Rozbalení

1. Rozbalte pračku.
2. Zkontrolujte, zda během přepravy nedošlo k jejímu poškození. V případě, že je poškozena, ji nezapojujte a obraťte se na prodejce.



3. Odstraňte 4 šrouby chránící před poškozením během přepravy a gumovou podložku s příslušnou rozpěrkou, které se nacházejí v zadní části (viz obrázek).

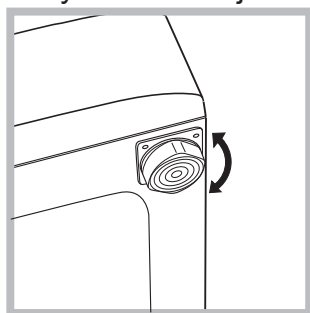
4. Uzavřete otvory po šroubech plastovými krytkami z příslušenství.

5. Uschovejte všechny díly: v případě opětovné přepravy pračky je bude třeba namontovat zpět.

! Obaly nejsou hračky pro děti!

Vyrovnaní do vodorovné polohy

1. Pračku je třeba umístit na rovnou a pevnou podlahu, aniž by se opírala o stěnu, nábytek či něco jiného.



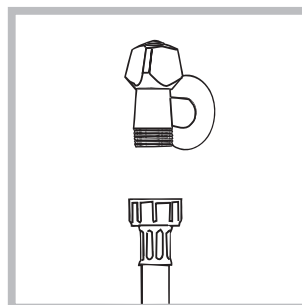
2. V případě, že podlaha není dokonale vodorovná, mohou být případné rozdíly vykompenzovány šroubováním předních nožek (viz obrázek); Úhel sklonu, naměřený na pracovní ploše,

nesmí přesáhnout 2°.

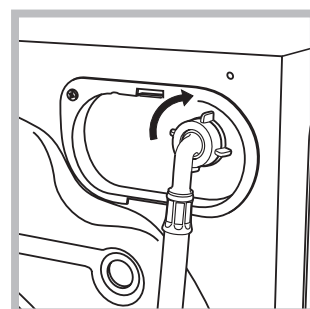
Dokonalé vyrovnaní do vodorovné polohy zabezpečí stabilitu zařízení a zamezí vzniku vibrací a hluku během činnosti. V případě instalace na podlahovou krytinu nebo na koberec nastavte nožky tak, aby pod pračkou zůstal dostatečný volný prostor pro ventilaci.

Připojení k elektrické a k vodovodní síti

Připojení přítokové hadice vody



1. Připojte přívodní hadici jejím zašroubováním ke kohoutku studené vody s hrdlem se závitem 3/4" (viz obrázek). Před připojením hadice nechte vodu odtékat, dokud nebude čirá.



2. Připojte přítokovou hadici k pračce prostřednictvím příslušné přípojky na vodu, umístěné vpravo nahoře (viz obrázek).

3. Dbejte na to, aby hadice nebyla příliš ohnutá ani stlačená.

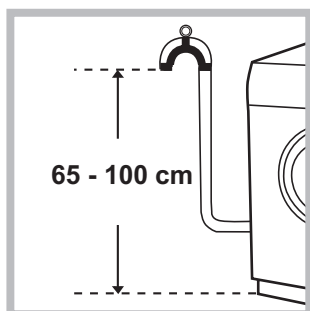
! Tlak v rozvodu vody se musí pohybovat v rozmezí hodnot uvedených v tabulce s technickými údaji (viz vedlejší strana).

! V případě, že délka přítokové hadice nebude dostatečná, se obraťte na specializovanou prodejnu nebo na autorizovaný technický personál.

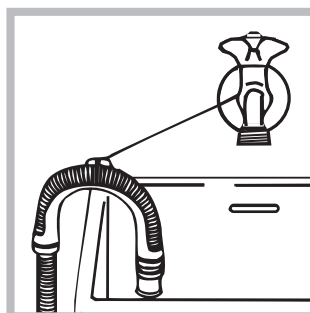
! Nikdy nepoužívejte již použité hadice.

! Používejte hadice z příslušenství zařízení.

Připojení vypouštěcí hadice



Připojte vypouštěcí hadici k odpadovému potrubí nebo k odpadu ve stěně, který se nachází od 65 do 100 cm nad zemí; zamezte jejímu ohybu



nebo ji uchyťte k okraji umývadla či vany a připevněte ji ke kohoutu prostřednictvím držáku z příslušenství (viz obrázek). Volný konec vypouštěcí hadice nesmí zůstat ponořený do vody.

! Použití prodlužovacích hadic se nedoporučuje; je-li však nezbytné, prodlužovací hadice musí mít stejný průměr jako originální hadice a její délka nesmí přesáhnout 150 cm.

Připojení k elektrické síti

Před zasunutím zástrčky do zásuvky se ujistěte, že:

- Je zásuvka uzemněna a že vyhovuje normám;
- je zásuvka schopna snést maximální zátěž odpovídající jmenovitému příkonu zařízení, uvedenému v tabulce s technickými údaji (viz *vedle*);
- hodnota napájecího napětí odpovídá údajům uvedeným v tabulce s technickými údaji (viz *vedle*);
- je zásuvka kompatibilní se zástrčkou pračky. V opačném případě je třeba vyměnit zásuvku nebo zástrčku.

! Pračka nesmí být umístěna venku – pod širým nebem, a to ani v případě, že by se jednalo o místo chráněné před nepřízní počasí, protože je velmi nebezpečné vystavit ji působení deště a bouří.

! Po definitivní instalaci pračky musí zásuvka zůstat snadno přístupná.

! Nepoužívejte prodlužovací kabely a rozvodky.

! Kabel nesmí být ohnutý ani stlačený.

! Výměna kabelu musí být svěřena výhradně autorizovanému technickému personálu.

Upozornění! Výrobce neponese žádnou odpovědnost za následky nerespektování uvedených předpisů.

První prací cyklus

Po instalaci zařízení je třeba ještě předtím, než je použijete na praní prádla, provést jeden zkušební cyklus s pracím prostředkem a bez náplně prádla nastavením pracího programu „Samočištění“.

Technické údaje

Model	WMSF 602
Rozměry	šířka 59,5 cm výška 85 cm hloubka 43,5 cm
Kapacita	od 1 do 6 kg
Napájení	Viz štítek s technickými údaji, aplikovaný na zařízení.
Připojení k rozvodu vody	maximální tlak 1 MPa (10 bar) minimální tlak 0.05 MPa (0.5 bar) kapacita bubny 48 litrů
Rychlost odstředování	až do 1000 otáček za minutu
Kontrolní programy podle směrnice 1061/2010 1015/2010	program $\leq 60^{\circ}\text{C}$; Standardní programy pro bavlnu 60 ^o ; program $\leq 40^{\circ}\text{C}$; Standardní programy pro bavlnu 40 ^o .
 	Toto zařízení odpovídá následujícím normám Evropské unie: - 2004/108/CE (Elektromagnetická kompatibilita) - 2006/95/CE (Nízké napětí) - 2002/96/CE
Hlučnost (dB(A) re 1 pW)	Praní: 58 Odstředování: 72

Údržba a péče

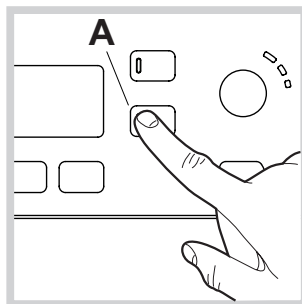
CZ

Uzavření přívodu vody a vypnutí elektrického napájení

- Po každém praní uzavřete přívod vody. Tímto způsobem dochází k omezení opotřebení pračky a ke snížení nebezpečí úniku vody.
- Před zahájením čištění pračky a během operací údržby vytáhněte zástrčku napájecího kabelu z elektrické zásuvky.

Čištění pračky

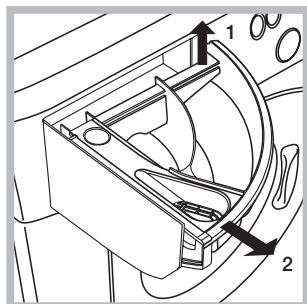
- Vnější části a části z gumy se mohou čistit hadrem navlhčeným ve vlažné vodě a saponátu. Nepoužívejte rozpouštědla ani abrazivní látky.
- Pračka je vybavena programem „Samočištění“ vnitřních částí, který musí být proveden **bez jakéhokoli druhu náplně v bubnu**.



Prací prostředek (množství rovnající se 10% množství doporučeného pro částečně znečištěné prádlo) nebo specifické přídatné prostředky pro čištění pračky budou moci být použity jako

pomocné prostředky v pracím programu. Doporučuje se provést samočisticí program každých 40 cyklů praní. Pro aktivaci programu stiskněte tlačítko **A** na dobu 5 sekund (viz obrázek). Program bude zahájen automaticky a bude trvat přibližně 70 minut. Cyklus je možné ukončit stisknutím tlačítka START/PAUSE.

Čištění dávkovače pracích prostředků



Vytáhněte dávkovač jeho nadzvednutím a vytažením směrem ven (viz obrázek). Umyjte jej pod proudem vody; tento druh vyčištění je třeba provádět pravidelně.

Péče o dvířka a bubn

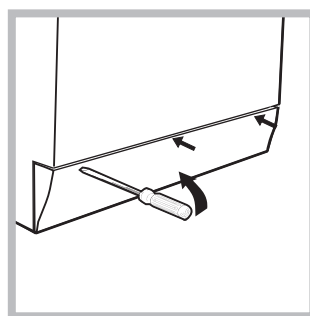
- Dvířka ponechte pokaždé pootevřená, aby se zabránilo tvorbě nepříjemných zápachů.

Čištění čerpadla

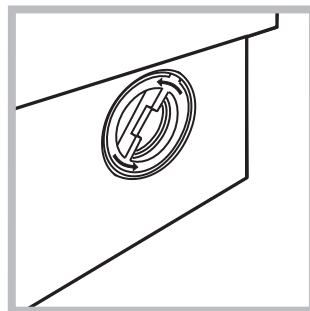
Součástí pračky je samočisticí čerpadlo, které nevyžaduje údržbu. Může se však stát, že se v jeho vstupní části, určené k jeho ochraně a nacházející se v jeho spodní části, zachytí drobné předměty (mince, knoflíky).

! Ujistěte se, že byl prací cyklus ukončen, a vytáhněte zástrčku ze zásuvky.

Přístup ke vstupní části čerpadla:



1. pomocí šroubováku odstraňte krycí panel nacházející se v přední části pračky (viz obrázek);



2. Odšroubujte víko jeho otáčením proti směru hodinových ručiček (viz obrázek): vytečení malého množství vody je zcela běžným jevem;

3. dokonale vyčistěte vnitřek;
4. zašroubujte zpět víko;
5. namontujte zpět panel, přičemž se před jeho přisunutím k zařízení ujistěte, že došlo ke správnému zachycení háčků do příslušných podélných otvorů.

Kontrola přítokové hadice na vodu

Stav přítokové hadice je třeba zkontrolovat alespoň jednou ročně. Jsou-li na ní viditelné praskliny nebo trhliny, je třeba ji vyměnit: silný tlak působící na hadici během pracího cyklu by mohl způsobit její náhlé roztržení.

! Nikdy nepoužívejte již použité hadice.

Opatření a rady

! Pračka byla navržena a vyrobena v souladu s platnými mezinárodními bezpečnostními předpisy. Tato upozornění jsou uváděna z bezpečnostních důvodů a je třeba si je pozorně přečíst.

Základní bezpečnostní pokyny

- Toto zařízení bylo navrženo výhradně pro použití v domácnosti.
- Toto zařízení mohou používat děti od 8 let a osoby se sníženými fyzickými, sensorickými nebo duševními schopnostmi nebo osoby s nedostatečnými zkušenostmi a znalostmi, když se nacházejí pod náležitým dohledem nebo když byly náležitě vyškoleny ohledně bezpečného použití zařízení a uvědomují si související nebezpečí. Děti si nesmí hrát se zařízením. Děti nesmí provádět operace údržby a čištění bez dohledu.
- Pračku mohou používat pouze dospělé osoby podle pokynů uvedených v tomto návodu.
- Nedotýkejte se zařízení bosí nebo v případě, že máte mokré nebo vlhké ruce či nohy.
- Nevytahujte zástrčku ze zásuvky tahem za kabel, ale uchopením za zástrčku.
- Neotvírejte dávkovač pracích prostředků během činnosti zařízení.
- Nedotýkejte se odčerpávané vody, protože může mít velmi vysokou teplotu.
- Nepokoušejte se o násilné otevření dvířek: mohlo by dojít k poškození bezpečnostního uzávěru, který zabraňuje náhodnému otevření.
- Při výskytu poruchy se v žádném případě nepokoušejte o opravu vnitřních částí zařízení.
- Vždy mějte pod kontrolou děti a zabraňte tomu, aby se přibližovaly k zařízení během pracího cyklu.
- Během pracího cyklu mají dvířka tendenci ohřát se.
- V případě potřeby přemíst'ujte pračku ve dvou nebo ve třech a věnujte celé operaci maximální pozornost. Nikdy se nepokoušejte zařízení přemíst'ovat sami, je totiž velmi těžké.
- Před zahájením vkládání prádla zkontrolujte, zda je buben prázdný.

Likvidace

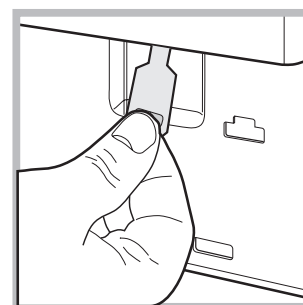
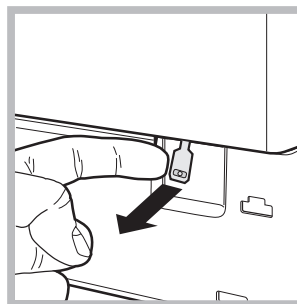
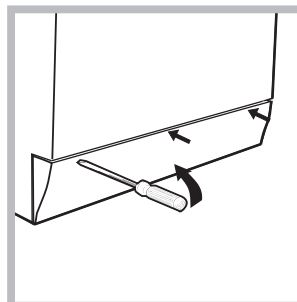
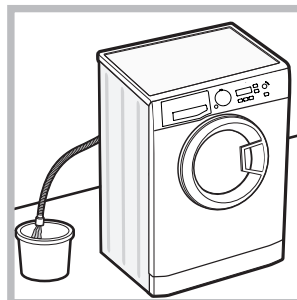
- Likvidace obalových materiálů: při jejich odstranění postupujte v souladu s místním předpisy a dbejte na možnou recyklaci.
- Evropská směrnice 2002/96/ES o odpadu tvořeném elektrickými a elektronickými zařízeními nařizuje, že elektrospotřebiče nesmí být likvidovány v rámci běžného pevného městského odpadu. Vyřazená zařízení musí být shromážděna zvlášť za účelem zvýšení počtu recyklovaných a znovupoužitých materiálů, z nichž jsou složena, a z důvodu zabránění možných ublížení na zdraví a škod na životním prostředí. Symbolem je přeškrtnutý koš, uvedený na všech

výrobci s cílem připomenout povinnosti spojené se separovaným sběrem. Podrobnější informace týkající se správného způsobu vyřazení elektrospotřebičů z provozu mohou jejich držitelé získat tak, že se obrátí na navrženou veřejnou instituci nebo na prodejce.

CZ

Manuální otevření dvířek

V případě, že není možné otevřít dvířka s průzorem z důvodu výpadku elektrické energie a hodláte pověsit prádlo, postupujte následovně:

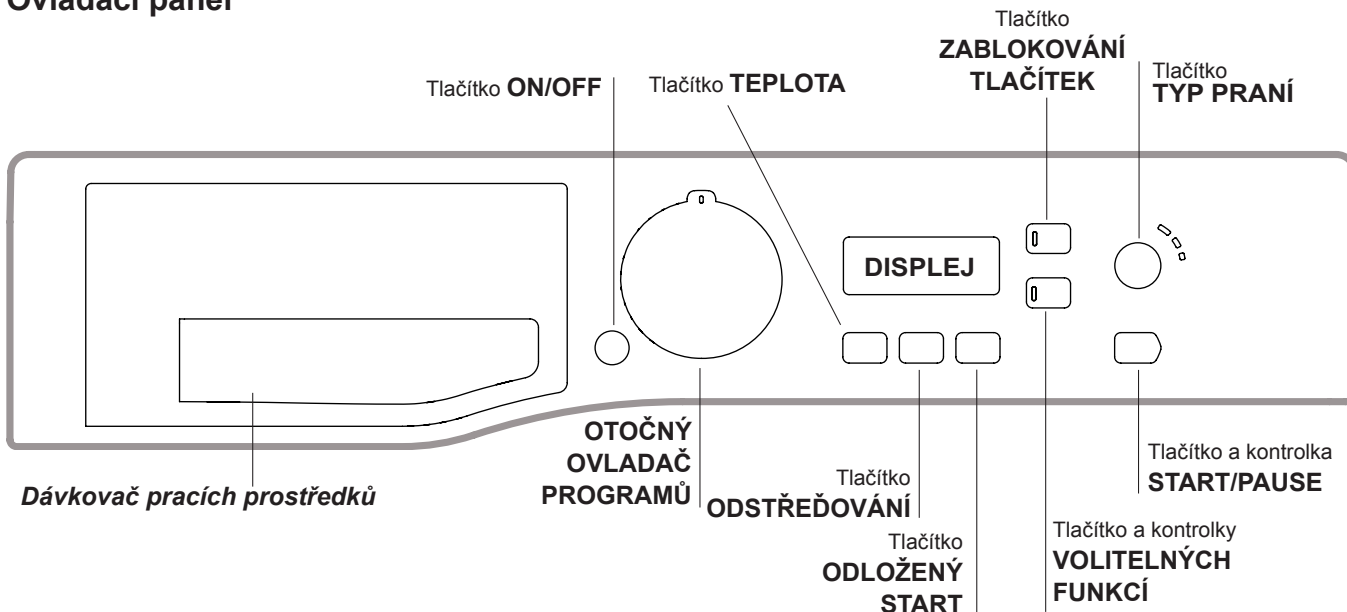


1. vytáhněte zástrčku ze zásuvky elektrické sítě.
2. Zkontrolujte, zda je hladina vody uvnitř zařízení nižší, než je úroveň otevření dvířek; v opačném případě vypusťte přebytečnou vodu vypouštěcí hadicí a zachyťte ji do vědra, jak je znázorněno na *obrázku*.
3. pomocí šroubováku odstraňte krycí panel nacházející se v přední části pračky (viz *obrázek*).

4. s použitím jazýčku označeného na obrázku potáhněte směrem ven z dorazu plastové táhlo až do jeho uvolnění; následně jej potáhněte směrem dolů a současně otevřete dvířka.
5. namontujte zpět panel, přičemž se před jeho přisunutím k zařízení ujistěte, že došlo ke správnému zachycení háčků do příslušných podélných otvorů.

Popis pračky

Ovládací panel



Dávkořač pracích prostředků: slouží k dávkování pracích prostředků a přířavných prostředků (viz "Prací prostředky a prádlo").

Tlačítko **ON/OFF** ☰: Zapnete nebo vypnete pračku krátkým stisknutím tlačítka. Kontrolka **START/PAUSE** pomalu blikající zeleným světlem poukazuje na to, že je zařízení zapnuté. Za účelem vypnutí pračky během praní je třeba držet tlačítko stisknuté déle, přibližně 3 sek.; krátké nebo náhodné stisknutí neumožní vypnutí pračky. Vypnutí zařízení během praní způsobí zrušení probíhajícího pracího programu.

OTOČNÝ OVLADAČ PROGRAMŮ: Slouží k nastavení požadovaného programu (viz "Tabulka programů").

Tlačítko a kontrolky **VOLITELNÝCH FUNKCÍ:** slouží k volbě jednotlivých nabízených volitelných funkcí. Kontrolka zvolené volitelné funkce zůstane rozsvícena.

Tlačítko **TYP PRANÍ** ☰: jeho stisknutím můžete provést volbu požadované intenzity praní.

Tlačítko **TEPLOTA** ☰: Stiskněte za účelem snížení nebo úplného vyloučení teploty; hodnota bude uvedena na displeji.

Tlačítko **ODSTŘEDOVÁNÍ** ☰: Stiskněte za účelem snížení nebo úplného vyloučení odstředování - hodnota bude uvedena na displeji.

Tlačítko **ODLOŽENÝ START** ☰: Jeho stisknutím můžete nastavit odložený start zvoleného programu; doba odložení bude zobrazena na displeji.

Tlačítko a kontrolka **START/PAUSE:** když zelená kontrolka začne pomalu blikat, stiskněte toto tlačítko pro zahájení praní. Po zahájení cyklu se kontrolka rozsvítí stálým světlem. Přejete-li si přerušit praní, opětovně stiskněte tlačítko; kontrolka bude blikat oranžovým světlem. Když symbol ☰ není rozsvícen, je možné otevřít dvířka. Za účelem opětovného zahájení cyklu z místa, v němž byl přerušen, opětovně stiskněte tlačítko.

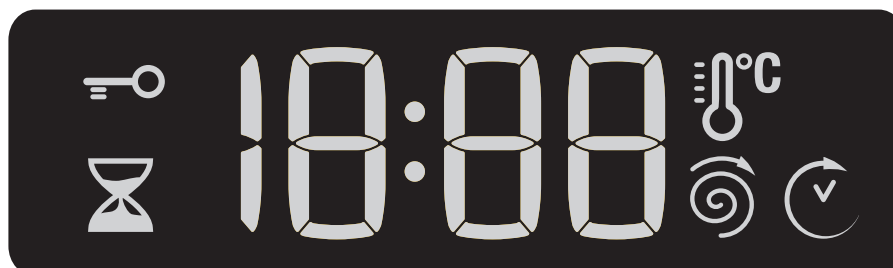
Tlačítko **ZABLOKOVÁNÍ TLAČÍTEK** ☰: aktivace zablokování ovládacího panelu se provádí tak, že podržíte stisknuté tlačítko přibližně na 2 sekundy. Rozsvícená kontrolka ☰ poukazuje na to, že je ovládací panel zablokovaný. Tímto způsobem se zamezí náhodným změnám programů (s výjimkou tlačítka **ON/OFF**), zejména když jsou v domácnosti děti. Zrušení zablokování ovládacího panelu se provádí tak, že podržíte stisknuté tlačítko přibližně na 2 sekundy.

Pohotovostní režim

Za účelem shody s novými předpisy souvisejícími s energetickou úsporou je tato pračka vybavena systémem automatického vypnutí (přechodu do pohotovostního režimu – standby), který je aktivován po uplynutí přibližně 30 minut, když se pračka nepoužívá. Krátce stiskněte tlačítko **ON/OFF** a vyčkejte na obnovení činnosti zařízení.

Spotřeba v off-mode: 0,5 W

Spotřeba v Left-on: 0,5 W




Displej slouží k naprogramování zařízení a poskytuje četné informace.

Bude zobrazena doba trvání jednotlivých programů, které jsou k dispozici, a po zahájení cyklu doba zbývající do ukončení programu; v případě nastavení ODLOŽENÝ START bude zobrazena doba chybějící do zahájení zvoleného programu.

Kromě toho budou při stisknutí příslušného tlačítka zobrazeny maximální hodnoty rychlosti odstředování a teploty, kterých zařízení může dosáhnout v závislosti na nastaveném programu.


Kontrolka **Zablokovaná dvířka**

Rozsvícený symbol poukazuje na zajištění dvířek. Aby se předešlo poškození, před otevřením dvířek je třeba vyčkat na zhasnutí uvedeného symbolu.

Za účelem otevření dvířek v průběhu pracovního cyklu stiskněte tlačítko START/PAUSE; když bude symbol ZABLOKOVANÁ DVÍŘKA  zhasnutý, bude možné otevřít dvířka.






Jak provést prací cyklus

CZ

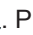
- 1. ZAPNUTÍ ZAŘÍZENÍ.** Stiskněte tlačítko ; kontrolka START/PAUSE bude pomalu blikat zeleným světlem.
- 2. NAPLNĚTE PRAČKU PRÁDLEM.** Otevřete dvířka s průzorem. Naplňte pračku prádlem a dbejte přitom, aby nedošlo k překročení množství náplně, uvedeného v tabulce programů na následující straně.
- 3. NADÁVKUJTE PRACÍ PROSTŘEDEK.** Vytáhněte dávkovač pracích prostředků a naplňte prací prostředek do příslušných přihrádek způsobem vysvětleným v části "Prací prostředky a prádlo".
- 4. ZAVŘETE DVÍŘKA.**
- 5. ZVOLTE PRACÍ PROGRAM.** Otočným ovladačem PROGRAMŮ zvolte požadovaný program; teplotu a rychlost odstředování, které jsou k programu přiřazeny, je možné měnit. Na displeji se zobrazí doba trvání cyklu.

6. NASTAVTE PRACÍ PROGRAM DLE VAŠICH POTŘEB.



Použijte příslušná tlačítka:


  **Změňte teplotu a/nebo odstředování.**
Zařízení automaticky zobrazuje maximální teplotu a rychlost odstředování pro nastavený program nebo poslední zvolené hodnoty, jsou-li kompatibilní se zvoleným programem. Stisknutím tlačítka  je možné postupně snížit teplotu až po praní ve studené vodě "OFF". Stisknutím tlačítka  je možné postupně snížit rychlost odstředování až po jeho úplné vyloučení "OFF". Další stisknutí tlačítek obnoví nastavení maximálních přednastavených hodnot.
! Výjimka: při volbě programu  bude možné zvýšit teplotu až na 90°C.

Nastavení odloženého startu.

Pro nastavení odloženého startu zvoleného programu stiskněte příslušné tlačítko až do dosažení požadované doby odložení. Když je tato volitelná funkce aktivní, na displeji se rozsvítí symbol . Pro zrušení odloženého startu je třeba tisknout tlačítko, dokud se na displeji nezobrazí nápis "OFF".

Nastavte požadovanou intenzitu praní.

Tlačítko  umožňuje provést optimalizaci praní na základě stupně znečištění tkanin a požadované intenzity praní.
Zvolte program praní; cyklus bude automaticky nastaven na úroveň "Normal" (Normální) a bude provedena jeho optimalizace pro středně znečištěné prádlo (toto nastavení neplatí pro cyklus „Vlna“, který se automaticky nastaví na úroveň "Delicate" [Jemné]).
Pro značně znečištěné prádlo stiskněte tlačítko , dokud nebude nastavena úroveň "Intensive" (Intenzivní). Tato úroveň zaručuje dokonalé praní díky použití většího množství vody v počáteční fázi cyklu a větší mechanický pohyb a je užitečná pro odstranění nejodolnějších skvrn. Může se používat



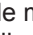
s bělicím prostředkem nebo bez něj. Když si přejete provést bělení, vložte přídatnou nádobku 4 z příslušenství do přihrádky 1. Při dávkování bělicího prostředku nepřekračujte úroveň „max“, vyznačenou na středovém čepu (viz obrázek na str. 46).
Pro mírně znečištěné prádlo nebo pro choulostivější zacházení s látkami stiskněte tlačítko  až po dosažení úrovně "Delicate" (Jemné). Cyklus omezí mechanický pohyb pro zajištění dokonalých výsledků praní u choulostivého prádla.

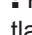
Změna vlastností cyklu.

- Stiskněte tlačítka aktivace volitelné funkce; dojde k rozsvícení odpovídající kontrolky tlačítka.
- Opětovným stisknutím můžete zvolenou volitelnou funkci zrušit; příslušná kontrola zhasne.

! V případě, že zvolená volitelná funkce není kompatibilní s nastaveným pracím programem, kontrolka začne blikat a volitelná funkce nebude aktivována.

! Volitelné funkce mohou změnit doporučenou náplň a/nebo dobu trvání cyklu.

- 7. SPUSŤTE PROGRAM.** Stiskněte tlačítko START/PAUSE. Příslušná kontrolka se rozsvítí stálým modrým světlem a dojde k zablokování dvířek (rozsvícený symbol ZABLOKOVANÁ DVÍŘKA ). Za účelem změny programu během probíhajícího cyklu přerušete činnost pračky stisknutím tlačítka START/PAUSE (kontrolka START/PAUSE bude pomalu blikat oranžovým světlem); zvolte požadovaný cyklus a znovu stiskněte tlačítko START/PAUSE.
Za účelem otevření dvířek v průběhu pracího cyklu stiskněte tlačítko START/PAUSE; když bude symbol ZABLOKOVANÁ DVÍŘKA  zhasnutý, bude možné otevřít dvířka. Opětovným stisknutím tlačítka START/PAUSE znovu uveďte do činnosti prací program z bodu, ve kterém byl přerušen.
- 8. UKONČENÍ PROGRAMU.** Bude oznámeno zobrazením nápisu "END" na displeji. Po zhasnutí symbolu ZABLOKOVANÁ DVÍŘKA  bude možné otevřít dvířka. Otevřete dvířka, vyložte prádlo a vypněte zařízení.

! Přejete-li si zrušit již zahájený cyklus, stiskněte déle tlačítko . Cyklus bude přerušena a dojde k vypnutí zařízení.

Programy a volitelné funkce

Tabulka programů

CZ

Programy	Popis programu	Max. teplota (°C)	Max. rychlost (otáčky za minutu)	Prací prostředky a přídavné prostředky				Max. náplň (kg)	Zbytková vlhkost %	Spotřeba energie kWh	Celkové množství vody lit	Doba trvání cyklu
				Předpírka	Praní	Bélicí prostředek	Aviváž					
1	Odstraňování Skvrn	40°	1000	●	●	-	●	4	-	-	-	180'
2	Bílé prádlo	60°	1000	●	●	-	●	4	-	-	-	190'
	Standardní programy pro bavlnu 60°(1): Silně znečištěné bílé a barevné prádlo z odolných tkanin.	60° (Max. 90°)	1000	●(3)	●	●	●	6	62	0.91	54	160'
	Standardní programy pro bavlnu 40°(2): Málo znečištěné bílé a barevné prádlo z odolných tkanin.	40°	1000	-	●	●	●	6	62	1.09	92	150'
5	Syntetické: Velmi znečištěné barevné prádlo z odolných tkanin.	60°	800	●	●	●	●	3.5	49	0.87	42	90'
5	Syntetické (4): Málo znečištěné barevné prádlo z odolných tkanin.	40°	800	●	●	●	●	3.5	49	0.56	42	80'
6	Protialergické	60°	1000	-	●	●	●	4	-	-	-	200'
7	Ditské Prádlo	40°	1000	●	●	●	●	4	-	-	-	165'
8	Vlna: Pro vlnu, kašmír apod.	40°	800	-	●	-	●	1.5	-	-	-	80'
9	Choulostivé prádlo	30°	0	-	●	-	●	1	-	-	-	75'
10	Rychlé Praní 60°: K rychlému oživení mírně znečištěného prádla (nedoporučuje se pro vlnu, hedvábí a prádlo určené pro ruční praní).	60°	1000	-	●	-	●	3.5	62	0.81	36	60'
11	Standardní programy pro bavlnu 20°: Málo znečištěné bílé a barevné prádlo z odolných tkanin.	20°	1000	-	●	●	●	6	-	-	-	175'
12	Bavlna	Studená voda	1000	-	●	-	●	6	62	0.18	74	105'
13	Syntetické	Studená voda	800	-	●	-	●	3	49	0.08	51	70'
14	Rychlé Praní 30°	Studená voda	800	-	●	-	●	3	71	0.05	57	30'
	Máchání	-	1000	-	-	-	●	6	-	-	-	49'
	Odstředování + Odčerpání vody	-	1000	-	-	-	-	6	-	-	-	16'

Doba trvání cyklu uvedená na displeji nebo v návodu představuje odhad vypočítaný na základě standardních podmínek. Skutečná doba se může měnit v závislosti na četných faktorech, jako je např. teplota a tlak vody na vstupu, teplota prostředí, množství pracího prostředku, množství a druh náplně, vyvážení náplně a zvolené volitelné funkce.

1) Kontrolní program podle normy 1061/2010: nastavte program s teplotou 60°C.

Tento cyklus je vhodný pro praní běžně znečištěné bavlny a jedná se o neúčinnější cyklus z hlediska kombinované spotřeby energie a vody určený pro prádlo, které lze prát při teplotě do 60 °C. Skutečná teplota praní se může lišit od uvedené.

2) Kontrolní program podle normy 1061/2010: nastavte program s teplotou 40°C.

Tento cyklus je vhodný pro praní běžně znečištěné bavlny a jedná se o neúčinnější cyklus z hlediska kombinované spotřeby energie a vody určený pro prádlo, které lze prát při teplotě do 40 °C. Skutečná teplota praní se může lišit od uvedené.

3) Při teplotě 60 °C nelze funkci "Předpírka" aktivovat.

Pro všechny Test Institutes:

2) Dlouhý program pro praní bavlny: nastavte program s teplotou 40°C.

4) Dlouhý program pro syntetiku: nastavte program 5 s teplotou 40°C.

Volitelné funkce praní

Předpírka

Volbou této funkce dojde k provedení předpírky, užitečné pro odstranění odolných skvrn.

POZN.: Přidejte prací prostředek do příslušné přihrádky.

! Nelze ji aktivovat u programů (60°), (40°), 6, 8, 9, 10,

11, 12, 13, 14, , .

Prací prostředky a prádlo

CZ

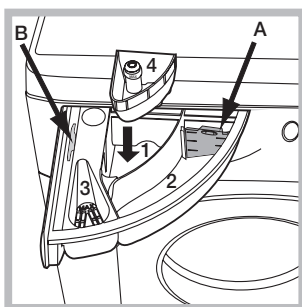
Dávkač pracích prostředků

Dobry výsledek praní závisí také na správném dávkování pracího prostředku: použití jeho nadměrného množství snižuje efektivitu praní a napomáhá tvorbě vodního kamene na vnitřních částech pračky a zvyšuje znečištění životního prostředí.

! Pro předpírku a praní při teplotě vyšší než 60 °C používejte práškové prací prostředky pro bílé bavlněné prádlo.

! Dodržujte pokyny uvedené na obalu pracího prostředku.

! Nepoužívejte prací prostředky určené pro ruční praní, protože způsobují tvorbu nadměrného množství pěny.



Při vytahování dávkače pracích prostředků a při jeho plnění pracími nebo přidavnými prostředky postupujte následovně.

Příhrádka 1: Prací prostředek (práškový) pro předpírku

Před naplněním příhrádky pracím prostředkem se ujistěte, že v dávkači není

vložena přidavná příhrádka 4.

Příhrádka 2: Prací prostředek (v prášku nebo tekutý)

V případě použití tekutého pracího prostředku se doporučuje použít pro správné dávkování malou přepážku **A** z příslušenství. Pro použití práškového pracího prostředku vložte malou přepážku do prohloubeniny **B**.

Příhrádka 3: Přidavné prostředky (aviváž atd.)

Aviváž nesmí vytékat z mřížky.

Přidavná příhrádka 4: Bělicí prostředek

Příprava prádla

- Roztřídte prádlo podle:
 - druhu tkaniny / symbolu na visače.
 - barvy: oddělte barevné prádlo od bílého.
- Vyprázdněte kapsy a zkontrolujte knoflíky.
- Nepřekračujte povolenou náplň, vztahující se na hmotnost suchého prádla: viz "Tabulka programů".

Kolik váží prádlo?

- 1 prostěradlo 400-500 g
- 1 povlak na polštář 150-200 g
- 1 ubrus 400-500 g
- 1 župan 900-1.200 g
- 1 ručník 150-250 g

Speciální programy

Odstraňování Skvrn: cyklus **1** vhodný pro praní značně znečištěného prádla s odolnými barvami. Tento program zaručuje vyšší třídu praní než standardní třída (třída A). Při použití tohoto programu nemíchejte spolu prádlo různých barev. Doporučuje se použít práškového pracího prostředku. Pro odolné skvrny se doporučuje provést předošetření specifickými přidavnými prostředky.

Bílé prádlo: použijte cyklus **2** pro praní bílého prádla. Program je navržen pro dlouhodobé zachování zářivosti bílé barvy.

Pro dosažení nejlepších výsledků se doporučuje použít práškový prací prostředek.


Protialergické: použijte program **6** pro odstranění hlavních alergenů, jako jsou pyl, roztoči a kočičí a psí chlupy.

Dětské Prádlo: na odstranění typické špíny dětského oblečení použijte příslušný program **7** a řádně odstraňte prací prostředek z prádla, abyste předešli alergickým reakcím jemné dětské pokožky. Tento prací cyklus byl navržen pro snížení množství bakterií s použitím vyššího množství vody a pro optimalizaci účinku specifických hygienických přísad, přidaných k pracímu prostředku.

Vlna: Prací cyklus „Vlna“ této pračky Hotpoint-Ariston byl testován a schválen společností Woolmark Company pro praní prádla z vlny, které je klasifikováno jako „prádlo určené pro ruční praní“, za podmínky, že bude praní provedeno v souladu s pokyny uvedenými na visače oblečení a s pokyny dodanými výrobcem elektrického spotřebiče. Hotpoint-Ariston je první značkou praček, která získala od společnosti Woolmark Company certifikát Woolmark Apparel Care - Platinum za svou výkonnost při praní a spotřebu vody a energie.



Choulostivé prádlo: pro praní velmi choulostivého prádla, které obsahuje aplikace, jako je štras nebo pajetky, použijte program **9**.

Pro praní **hedvábného** prádla a **záclon** zvolte cyklus **9** a nastavte úroveň "Delicate" (Jemné) volitelné funkce . Doporučuje se prádlo před praním převrátit naruby a vložit malé kusy prádla do příslušného sáčku pro praní choulostivého prádla.

Pro dosažení nejlepších výsledků se doporučuje použít tekutý prací prostředek pro choulostivé prádlo.

Eko programy

Programy Eko nabízejí dobrou výkonnost praní při nízkých teplotách, přičemž umožňují nižší použití elektrické energie s výhodami pro životní prostředí i pro finanční úsporu.

Programy Eco (**12** Bavlna, **13** Syntetické a **14** Rychlé praní 30') byly vytvořeny pro různé druhy tkanin a pro mírně znečištěné prádlo. Pro zajištění optimálního výsledku doporučujeme použít tekutý prací prostředek; doporučuje se předběžně ošetřit manžety, límce a skvrny.

Standardní programy pro bavlnu 20° ideální pro náplně ze znečištěné bavlny. Dobrá výkonnost i za studena, srovnatelná s praním při 40 °C, je zaručena mechanickým působením, které je založeno na změně rychlosti v krátkých nebo dlouhých intervalech.

Systém automatického vyvážení náplně

Před každým odstředováním buben provede otáčení rychlostí lehce převyšující rychlost praní, aby se odstranily vibrace a aby se náplň rovnoměrně rozložila. V případě, že po několiknásobných pokusech o vyvážení prádlo ještě nebude správně vyváženo, zařízení provede odstředování nižší rychlostí, než je přednastavená rychlost. Při nadměrném nevyvážení pračka provede namísto odstředování vyvážení. Pro dosažení rovnoměrnějšího rozložení náplně a jejího správného vyvážení se doporučuje míchat velké a malé kusy prádla.

Poruchy a způsob jejich odstranění

Může se stát, že pračka nebude fungovat. Dříve, než zatelefonujete na Servisní službu (viz "Servisní služba"), zkontrolujte, zda se nejedná o problém, který lze snadno vyřešit s pomocí následujícího seznamu.

Poruchy:

Možné příčiny / Způsob jejich odstranění:

Pračku nelze zapnout.

- Zástrčka není zasunuta v zásuvce nebo není zasunuta natolik, aby došlo ke spojení kontaktů.
- V celém domě je vypnutý proud.

Nedochází k zahájení pracovního cyklu.

- Nejsou řádně zavřená dvířka.
- Nebylo stisknuto tlačítko ON/OFF.
- Nebylo stisknuto tlačítko START/PAUSE.
- Nebyl otevřen kohout přívodu vody.
- Byla nastavena doba opoždění startu.

Nedochází k napouštění vody do pračky (na displeji je zobrazen blikající nápis "H2O").

- Přívodní hadice není připojena k vodovodnímu kohoutu.
- Hadice je příliš ohnutá.
- Nebyl otevřen kohout přívodu vody.
- V celém domě je uzavřený přívod vody.
- V rozvodu vody není dostatečný tlak.
- Nebylo stisknuto tlačítko START/PAUSE.

Dochází k nepřetržitému napouštění a odčerpávání vody.

- Vypouštěcí hadice se nachází mimo určené rozmezí od 65 do 100 cm nad zemí (viz "Instalace").
- Koncová část vypouštěcí hadice je ponořena ve vodě (viz "Instalace").
- Odpad ve stěně není vybaven odvodušňovacím otvorem.

Když ani po uvedených kontrolách nedojde k odstranění problému, uzavřete přívod vody, vypněte pračku a přivolejte Servisní službu. V případě, že se byt nachází na jednom z nejvyšších poschodí, je možné, že dochází k sifonovému efektu, jehož následkem pračka nepřetržitě napouští a odčerpává vodu. Pro odstranění uvedeného efektu jsou v prodeji běžně dostupné speciální protisifonové ventily.

Nedochází k vyčerpání vody nebo k odstředování.

- Odčerpání vody tvoří součást nastaveného programu: u některých programů je potřebné jejich manuální uvedení do činnosti.
- Vypouštěcí hadice je ohnutá (viz "Instalace").
- Odpadové potrubí je ucpané.

Během odstředování je možné pozorovat silné vibrace pračky.

- Během instalace nebyl buben odjištěn předepsaným způsobem (viz "Instalace").
- Pračka není dokonale vyrovnaná do vodorovné polohy (viz "Instalace").
- Pračka je stlačena mezi nábytkem a stěnou (viz "Instalace").

Dochází k úniku vody z pračky.

- Přítoková hadice není správně zašroubována (viz "Instalace").
- Dávkovač pracích prostředků je ucpan (způsob jeho vyčištění je uveden v části "Údržba a péče").
- Vypouštěcí hadice není upevněna předepsaným způsobem (viz "Instalace").

Kontrolky "Volitelné funkce" a kontrolka "START/PAUSE" blikají a na displeji je zobrazen kód poruchy (např.: F-01, F-..).

- Vypněte zařízení a vytáhněte zástrčku ze zásuvky, vyčkejte přibližně 1 minutu a zařízení znovu zapněte.
- Když porucha přetrvává, obraťte se na servisní službu.

Dochází k tvorbě nadměrného množství pěny.

- Použitý prací prostředek není vhodný pro použití v automatické pračce (musí obsahovat označení "pro praní v pračce", "pro ruční praní nebo pro praní v pračce" nebo podobné označení).
- Bylo použito nadměrné množství pracovního prostředku.

Servisní služba

CZ

Před přivoláním Servisní služby:

- Zkontrolujte, zda nejste schopni poruchu odstranit sami (viz *“Poruchy a způsob jejich odstranění”*);
- Znovu uveďte do chodu prací program, abyste ověřili, zda byla porucha odstraněna;
- V záporném případě se obraťte na středisko servisní služby.

! Nikdy se neobracejte s žádostí o pomoc na techniky, kteří nejsou k výkonu této činnosti oprávněni.

Při hlášení poruchy uveďte:

- druh poruchy;
- model zařízení (Mod.);
- výrobní číslo (S/N).

Tyto informace jsou uvedeny na štítku aplikovaném na zadní části pračky a v její přední části, dostupné po otevření dvířek.

SK

Slovensky

WMSF 602

Obsah

SK

Inštalácia, 50-51

Rozbalenie a vyrovnanie do vodorovnej polohy
Pripojenie k elektrickej a k vodovodnej sieti
Prvý prací cyklus
Technické údaje

Údržba a starostlivosť, 52

Uzavretie prívodu vody a vypnutie elektrického napájania
Čistenie práčky
Čistenie dávkovača pracích prostriedkov
Starostlivosť o dvierka a bubon
Čistenie čerpadla
Kontrola prítokovej hadice na vodu

Opatrenia a rady, 53

Základné bezpečnostné pokyny
Likvidácia
Manuálne otvorenie dvierok

Popis práčky, 54-55

Ovládací panel
Displej

Ako vykonať prací cyklus, 56

Programy a voliteľné funkcie, 57

Tabuľka pracích programov
Voliteľné funkcie prania

Pracie prostriedky a prádlo, 58

Dávkovač pracích prostriedkov
Príprava prádla
Špeciálne programy

Poruchy a spôsob ich odstránenia, 59

Servisná služba, 60

Inštalácia

SK

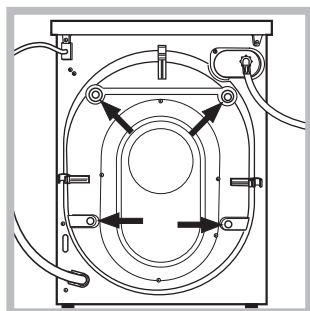
! Je veľmi dôležité uschovať tento návod kvôli prípadnému ďalšiemu použitiu. V prípade predaja, darovania alebo presťahovania práčky sa uistite, že zostane uložený v jej blízkosti, aby mohol poslúžiť novému majiteľovi pri oboznámení sa s činnosťou a s príslušnými upozoreniami.

! Pozorne si prečítajte uvedené pokyny: obsahujú dôležité informácie, týkajúce sa inštalácie, použitia a bezpečnosti pri práci.

Rozbalenie a vyrovnanie do vodorovnej polohy

Rozbalenie

1. Rozbaľte práčku.
2. Skontrolujte, či počas prepravy nedošlo k jej poškodeniu. V prípade, že je poškodená, nezapájajte ju a obráťte sa na predajcu.



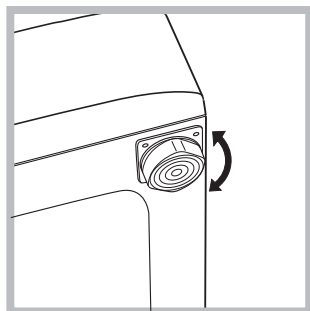
3. Odstráňte 4 skrutky slúžiace na ochranu počas prepravy a gumovú podložku s príslušným dištančným členom, ktoré sa nachádzajú v zadnej časti (vid' obrázok).

4. Uzatvorte otvory po skrutkách plastovými krytkami z príslušenstva.
5. Uschovajte všetky diely: v prípade opätovnej prepravy práčky ich bude potrebné opätovne namontovať.

! Obaly nie sú hračky pre deti!

Vyrovnanie do vodorovnej polohy

1. Práčku je potrebné umiestniť na rovnú a pevnú podlahu tak, aby nebola opretá o stenu, nábytok alebo o niečo iné.



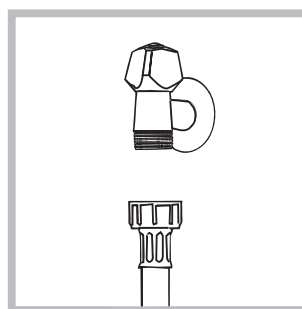
(vid' obrázok); Uhol sklonu, nameraný na pracovnej ploche, nesmie presiahnuť 2°.

2. V prípade, že podlaha nie je dokonale vodorovná, môžu byť prípadné rozdiely vykompenzované odskrutkovaním alebo zaskrutkovaním predných nožičiek

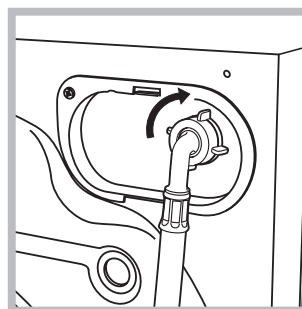
Dokonalé vyrovnanie do vodorovnej polohy zabezpečí stabilitu zariadenia a zamedzí vzniku vibrácií a hluku počas činnosti. V prípade inštalácie na podlahovú krytinu alebo na koberec, nastavte nožičky tak, aby pod práčkou zostal dostatočný voľný priestor na ventiláciu.

Pripojenie k elektrickej a k vodovodnej sieti

Pripojenie prítokovej hadice vody



1. Pripojte prívodnú hadicu jej zaskrutkovaním ku kohútiku so studenou vodou, s hrdlom so závitom 3/4" (vid' obrázok). Pred pripojením hadice nechajte vodu odtečť, až kým nebude číra.



2. Pripojte prítokovú hadicu k práčke, jej zaskrutkovaním k príslušnej prípojke na vodu, umiestnenej vpravo hore (vid' obrázok).

3. Zabezpečte, aby hadica nebola príliš ohnutá alebo stlačená.

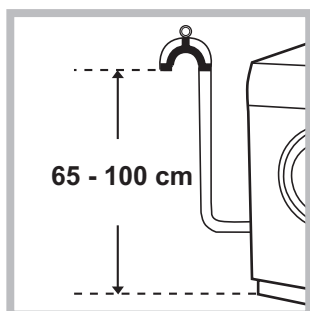
! Tlak v rozvode vody sa musí pohybovať v rozmedzí hodnôt uvedených v tabuľke s technickými údajmi (vid' vedľajšia strana).

! V prípade, že dĺžka prítokovej hadice nebude dostatočná, obráťte sa na špecializovanú predajňu alebo na autorizovaný technický personál.

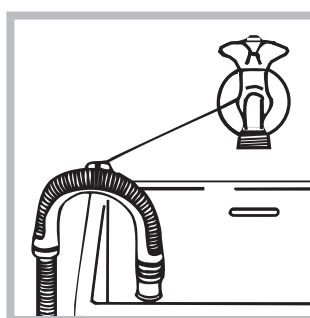
! Nikdy nepoužívajte už použité hadice.

! Používajte hadice z príslušenstva zariadenia.

Pripojenie vypúšťacej hadice



Pripojte vypúšťaciu hadicu k odpadovému potrubiu alebo k odpadu v stene, nachádzajúcom sa od 65 do 100 cm nad zemou; jednoznačne zamedzte jej ohybu.



alebo ju uchyťte k okraju umývadla či vane, a pripevnite vodiaci držiak z príslušenstva ku kohútu (vid' obrázok). Voľný koniec vypúšťacej hadice nesmie zostať ponorený do vody.

! Použitie predlžovacích hadíc sa neodporúča; ak je však nevyhnutné, predlžovacia hadica musí mať rovnaký priemer ako originálna hadica a jej dĺžka nesmie presiahnuť 150 cm.

Pripojenie k elektrickej sieti

Pred zasunutím zástrčky do zásuvky sa uistite, že:

- zásuvka je uzemnená a že vyhovuje normám;
- zásuvka je schopná uniesť maximálnu záťaž odpovedajúcu menovitému príkonu zariadenia, uvedenému v tabuľke s technickými údajmi (vid' vedľa);
- hodnota napájacieho napätia odpovedá údajom uvedeným v tabuľke s technickými údajmi (vid' vedľa);
- zásuvka je kompatibilná so zástrčkou práčky. V opačnom prípade je potrebné vymeniť zásuvku alebo zástrčku.



! Práčka nesmie byť umiestnená vonku – pod holým nebom, a to ani v prípade, keby sa jednalo o miesto chránené pred nepriazňou počasia, pretože je veľmi nebezpečné vystaviť ju dažďu a búrkam.

- ! Po ukončení inštalácie musí zásuvka zostať ľahko prístupná.
- ! Nepoužívajte predlžovacie káble a rozvodky.
- ! Kábel nesmie byť ohnutý alebo pritlačený.
- ! Výmena kábla musí byť zverená výhradne autorizovanému technickému personálu.

Upozornenie! Výrobca neponesie žiadnu zodpovednosť za následky spôsobené nerešpektovaním týchto pokynov.

Prvý prací cyklus

Po inštalácii zariadenia je potrebné ešte pred jeho použitím vykonať jeden skúšobný cyklus s pracím prostriedkom a bez náplne prádla, nastavením pracieho programu „Samočistenie“.

Technické údaje	
Model	WMSF 602
Rozmery	šírka 59,5 cm výška 85 cm hĺbka 43,5 cm
Kapacita	od 1 do 6 kg
Elektrické zapojenie	Vid štítkov s technickými údajmi, aplikovaný na zariadení.
Pripojenie k rozvodu vody	maximálny tlak 1 MPa (10 bar) maximálny tlak 0,05 MPa (0.5 bar) kapacita bubna 48 litrov
Rýchlosť z odstreďovania	a±z do 1000 otáčok za minútu
Kontrolné programy podľa smerníc 1061/2010 a 1015/2010	program $\leq 60^{\circ}\text{C}$; štandardné programy pre bavlnu 60°C ; program $\leq 40^{\circ}\text{C}$; štandardné programy pre bavlnu 40°C .
 	Toto zariadenie je v zhode s nasledujúcimi smernicami Európskej únie: - 2004/108/CE (Elektromagnetická kompatibilita) - 2006/95/CE (Nízke napätie) - 2002/96/CE
Hlučnosť (dB(A) re 1 pW)	Pranie: 58 Odstreďovanie: 72

Údržba a starostlivosť

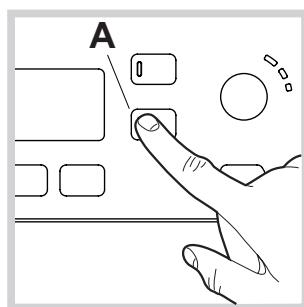
SK

Uzavretie prívodu vody a vypnutie elektrického napájania

- Po každom praní uzatvorte prívod vody. Týmto spôsobom sa znižuje opotrebenie rozvodu vody zariadenia a znižuje sa nebezpečenstvo úniku vody.
- Pred zahájením čistenia práčky a počas údržby je potrebné vytiahnuť zástrčku prívodného kábla zo zásuvky.

Čistenie práčky

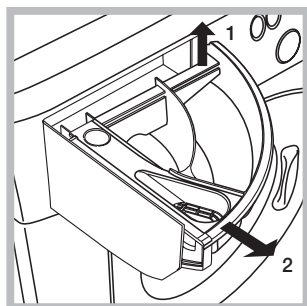
- Vonkajšie časti a časti z gumy môžu byť čistené utierkou navlhčenou vo vlažnej vode a saponáte. Nepoužívajte rozpúšťadlá alebo abrazívne prostriedky.
- Práčka je vybavená programom „Samočistenie“ pre vyčistenie vnútorných častí, ktorý musí byť vykonaný **bez akéhokoľvek druhu náplne v bubne**.



Prací prostriedok (množstvo rovnajúce sa 10% množstva odporúčaného pre čiastočne znečistené prádlo) alebo špecifické prídavné prostriedky pre čistenie práčky budú môcť byť použité ako

pomocné prostriedky v pracom programe. Odporúča sa vykonať samočistiaci program každých 40 cyklov prania. Pre aktiváciu programu stlačte tlačidlo **A** na dobu 5 sekúnd (vid' obrázok). Program bude zahájený automaticky a bude trvať približne 70 minút. Cyklus je možné ukončiť stlačením tlačidla START/PAUSE.

Čistenie dávkovača pracích prostriedkov



Vytiahnite dávkovač jeho nadvihnutím a vytiahnutím smerom von (vid' obrázok). Dávkovač umyte pod prúdom vody; toto čistenie je potrebné vykonávať pravidelne.

Starostlivosť o dvierka a bubon

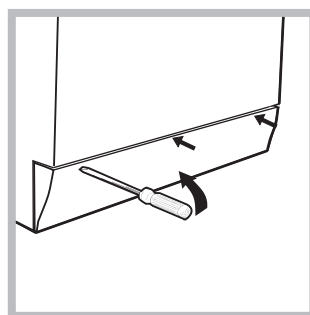
- Dvierka ponechajte zakaždým pootvorené, aby sa zabránilo tvorbe nepríjemných zápachov.

Čistenie čerpadla

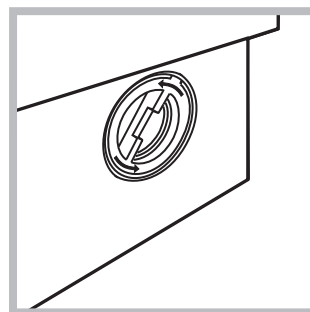
Súčasťou práčky je samočistiace čerpadlo, ktoré nevyžaduje údržbu. Môže sa však stať, že sa v jeho vstupnej ochrannnej časti, nachádzajúcej na spodku, zachytia drobné predmety (mince, gombíky).

! Uistite sa, že prací cyklus bol ukončený a vytiahnite zástrčku zo zásuvky.

Prístup k vstupnej časti čerpadla:



1. pomocou skrutkovača odstráňte krycí panel, nachádzajúci sa v prednej časti práčky (vid' obrázok);



2. odskrutkujte veko otáčaním proti smeru hodinových ručičiek (vid' obrázok): vytečenie malého množstva vody je úplne bežným javom;

- dokonale vyčistite vnútro;
- nasadte naspäť veko;
- namontujte naspäť krycí panel, pričom sa pred jeho prisunutím k práčke uistite, že došlo k správnejmu zachyteniu háčikov do príslušných otvorov.

Skontrolujte prítokovú hadicu vodu

Stav prítokovej hadice je potrebné skontrolovať aspoň raz ročne. Ak sú na nej viditeľné praskliny alebo trhliny, je potrebné ju vymeniť: silný tlak v hadici počas pracieho cyklu by mohol spôsobiť jej náhle roztrhnutie.

! Nikdy nepoužívajte už použité hadice.

Opatrenia a rady

! Práčka bola navrhnutá a vyrobená v súlade s platnými medzinárodnými bezpečnostnými predpismi. Tieto upozornenia sú uvádzané z bezpečnostných dôvodov a je potrebné si ich pozorne prečítať.

Základné bezpečnostné pokyny

- Toto zariadenie bolo navrhnuté výhradne na použitie ako spotrebič.
- Toto zariadenie smú používať deti od 8 rokov, osoby náležite vyškolené ohľadne bezpečného použitia zariadenia, ktoré si uvedomujú súvisiace nebezpečenstvo a v prípade dozoru aj osoby so zníženými fyzickými, sensorickými alebo duševnými schopnosťami alebo osoby s nedostatočnými skúsenosťami a znalosťami. Deti sa so zariadením nesmú hrať. Operácie údržby a čistenia nesmú vykonávať deti bez dohľadu.
- Práčku môžu používať len dospelé osoby, podľa pokynov uvedených v tomto návode.
- Nedotýkajte sa zariadenia bosí, alebo v prípade, keď máte mokré ruky alebo nohy.
- Nevytahujte zástrčku zo zásuvky ťahaním za kábel, ale uchopením za zástrčku.
- Neotvárajte dávkovač pracích prostriedkov počas činnosti zariadenia.
- Nedotýkajte sa odčerpávanej vody, pretože môže mať veľmi vysokú teplotu.
- V žiadnom prípade sa nepokúšajte o násilné otvorenie dvierok: mohlo by dôjsť k poškodeniu bezpečnostného uzáveru, ktorý zabraňuje náhodnému otvoreniu.
- Pri výskyte poruchy sa v žiadnom prípade nepokúšajte o opravu vnútorných častí zariadenia.
- Vždy majte pod kontrolou deti a zabráňte tomu, aby sa približovali k zariadeniu počas pracieho cyklu.
- Počas pracieho cyklu majú dvierka tendenciu zohrievať sa.
- Ak je potrebné ju presunúť, je dobré poveriť dve alebo tri osoby a vykonať to s maximálnou pozornosťou. Nikdy sa nepokúšajte zariadenie premiestňovať sami, pretože je veľmi ťažké.
- Pred zahájením vkladania prádla skontrolujte, či je bubon prázdny.

Likvidácia

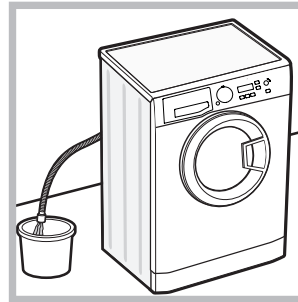
- Likvidácia obalových materiálov: pri ich odstránení postupujte v súlade s miestnymi predpismi a dbajte na možnú recykláciu.
- Európska smernica 2002/96/ES o odpade tvorenom elektrickými a elektronickými zariadeniami predpokladá, že elektrospotrebiče nesmú byť likvidované v rámci bežného pevného komunálneho odpadu. Vyradené zariadenia musia byť zozbierané osobitne za účelom zvýšenia počtu recyklovaných a znovu použitých materiálov, z ktorých sa skladajú a zabráneniu možných ublížení na zdraví a škôd na životnom prostredí. Symbolom je preškrtnutý kôš uvedený na všetkých výrobkoch, s cieľom pripomenúť povinnosti spojené so separovaným zberom.

Podrobnejšie informácie týkajúce sa správneho spôsobu vyradenia elektrospotrebičov z prevádzky môžu ich držiteľia získať od poverenej verejnej inštitúcie alebo na predajcu.

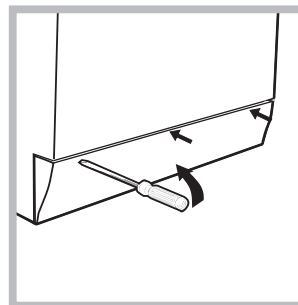
SK

Manuálne otvorenie dvierok

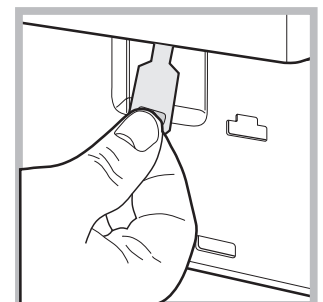
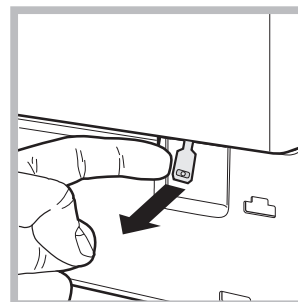
V prípade, ak nie je možné otvoriť dvierka z dôvodu výpadku elektrickej energie a chceli by ste vybrať prádlo, postupujte nasledovne:



1. vytiahnite zástrčku zo zásuvky elektrickej siete.
2. Skontrolujte, či je hladina vody vo vnútri zariadenia nižšia ako je úroveň otvorenia dvierok; ak nie je, vypustte prebytočnú vodu vypúšťacou hadicou a zachyťte ju do vedra, ako je znázornené na obrázku.



3. pomocou skrutkovača odstráňte krycí panel nachádzajúci sa v prednej časti práčky (vid' obrázok).

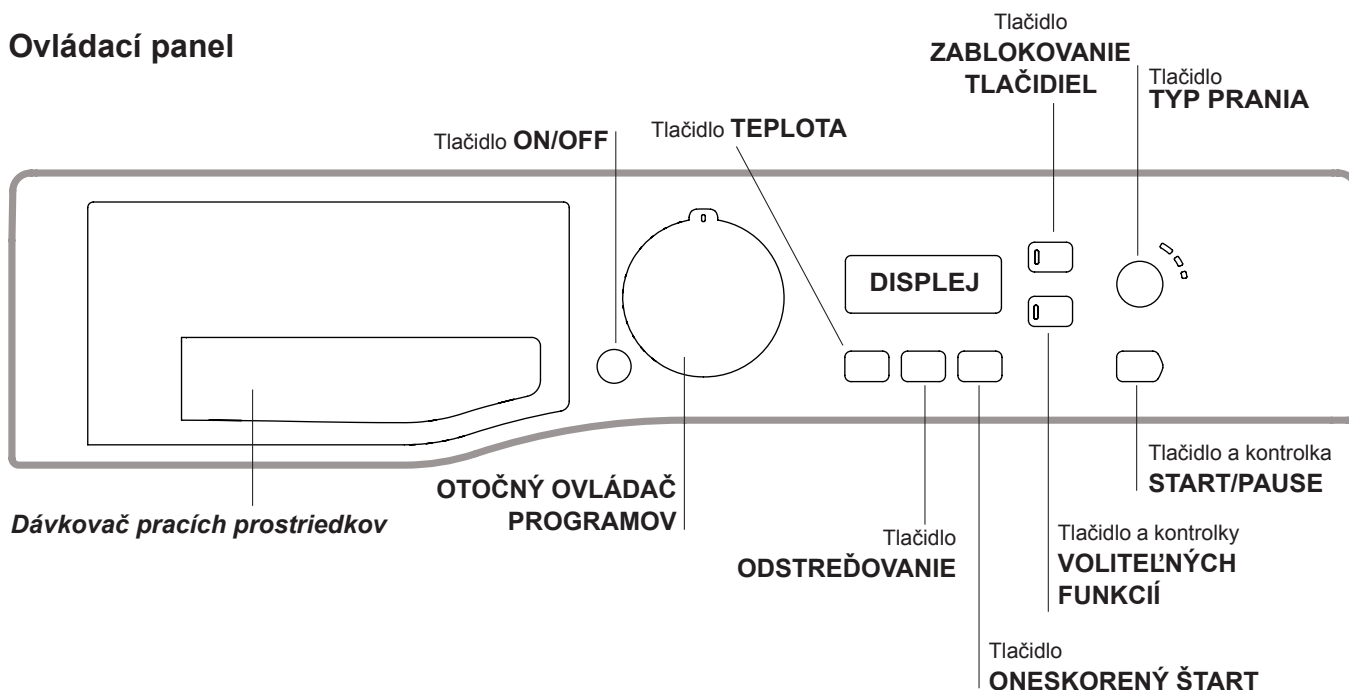


4. pomocou jazýčka, označeného na obrázku, potiahnite plastové ťahlo smerom von z dorazu, až kým sa neuvolní; následne ho potiahnite smerom dolu a súčasne otvorte dvierka.
5. namontujte naspäť krycí panel, pričom sa pred jeho prisunutím k práčke uistite, že došlo k správne zachyteniu háčikov do príslušných otvorov.


Popis práčky

SK

Ovládací panel




Dávkovač pracích prostriedkov: slúži na dávkovanie pracích prostriedkov a prídavných prostriedkov (viď "Pracie prostriedky a prádlo").

Tlačidlo **ON/OFF** : zapnite alebo vypnite práčku krátkym stlačením tlačidla. Kontrolka **START/PAUSE** pomaly blikajúca zeleným svetlom signalizuje, že zariadenie je zapnuté. Ak chcete vypnúť práčku počas prania, je potrebné držať tlačidlo stlačené dlhšie, približne 3 sek.; krátkym alebo náhodným stlačením práčku nevypnete. Vypnutie zariadenia počas prania spôsobí zrušenie prebiehajúceho pracieho programu.


OTOČNÝ OVLÁDAČ PROGRAMOV: Slúži na nastavenie požadovaného programu (viď "Tabuľka programov").


Tlačidlo a kontrolky **VOLITEĽNÝCH FUNKCIÍ:** Slúžia na voľbu jednotlivých ponúknutých voliteľných funkcií. Kontrolka zvolenej funkcie zostane rozsvietená.



Tlačidlo **TYP PRANIA** : jeho stlačením môžete zvoliť požadovanú intenzitu prania.

Tlačidlo **TEPLOTA** : Stlačte pre zníženie alebo úplné vyradenie ohrevu; hodnota bude uvedená na displeji.

Tlačidlo **ODSTREDOVANIE** : Stlačte pre zníženie alebo úplné vyradenie odstreďovania; hodnota bude uvedená na displeji.

Tlačidlo **ONESKORENÝ ŠTART** : Stlačte kvôli nastaveniu oneskoreného štartu zvoleného programu; nastavené oneskorenie bude zobrazené na displeji.

Tlačidlo s kontrolkou **START/PAUSE:** keď zelená kontrolka začne pomaly blikáť, stlačte tlačidlo, aby ste zahájili pranie. Po zahájení cyklu sa kontrolka rozsvieti stálym svetlom. Ak si želáte prerušiť pranie, opätovne stlačte tlačidlo; kontrolka bude blikáť oranžovým svetlom. Ak symbol  nie je podsvietený bude možné otvoriť dvierka. Aby ste opätovne spustili cyklus od doby, kedy bol prerušený, opätovne stlačte tlačidlo.

Tlačidlo **ZABLOKOVANIE TLAČIDIEL** : slúži na aktiváciu zablokovania ovládacieho panelu; aktivácia sa vykonáva tak, že podržíte stlačené tlačidlo približne na 2 sekundy. Rozsvietený symbol  signalizuje, že ovládací panel je zablokovaný. Týmto spôsobom sa zamedzí náhodným zmenám programov (s výnimkou tlačidlo **ON/OFF**), obzvlášť, keď sú v domácnosti deti. Zrušenie zablokovania ovládacieho panelu sa vykonáva tak, že podržíte stlačené tlačidlo približne na 2 sekundy.

Pohotovostný režim

Po skončení cyklu alebo v case, keď nie je spustený žiaden cyklus, po 30 minútach dôjde k vypnutiu zariadenia kvôli energetickej úspore. Na obnovenie činnosti zariadenia, nachádzajúceho sa v pohotovostnom režime, stací stlačiť tlačidlo **ON/OFF**.

Spotreba v off-mode: 0,5 W

Spotreba v Left-on: 0,5 W



Displej slúži na programovanie zariadenia a na poskytovanie mnohých informácií.

Bude zobrazená doba trvania jednotlivých programov, ktoré sú k dispozícii, a po zahájení cyklu doba zostávajúca do jeho ukončenia; v prípade nastavenia ONESKORENÝ ŠTART bude zobrazená doba zostávajúca do zahájenia zvoleného programu.

Okrem toho, pri stlačení príslušného tlačidla budú zobrazené maximálne hodnoty rýchlosti odstreďovania a teploty, ktoré zariadenie môže dosiahnuť, v závislosti od nastaveného programu.


Kontrolka **ZABLOKOVANÉ DVIERKA** :

Rozsvietený symbol signalizuje, že dvierka sú zaistené. Aby sa dvierka nepoškodili, pred ich otvorením je potrebné vyčakať, kým uvedený symbol nezhasne.

Ak chcete otvoriť dvierka počas pracieho cyklu, stlačte tlačidlo START/PAUSE; keď bude kontrolka ZABLOKOVANÉ DVIERKA  zhasnutá, bude možné dvierka otvoriť.




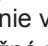
Ako vykonať prací cyklus


SK

- 1. ZAPNUTIE ZARIADENIA.** Stlačte tlačidlo ; kontrolka START/PAUSE bude pomaly blikať zelenou svetlom.
- 2. NAPLNĚ PRÁČKU PRÁDLOM.** Otvorte dvierka. Naplňte práčku prádrom pričom dbajte, aby nedošlo k prekročeniu množstva náplne, uvedeného v tabuľke programov na nasledujúcej strane.
- 3. NAPLNĚ DÁVKOVAČ PRACÍCH PROSTRIEDKOV.** Vytiahnite dávkovač pracích prostriedkov a naplňte prací prostriedok do príslušných priehradiek, spôsobom vysvetleným v časti "Pracie prostriedky a prádlo".
- 4. ZATVORTE DVIERKA.**
- 5. ZVOĽTE PRACÍ PROGRAM.** Otočným ovládačom PROGRAMOV zvolte požadovaný program; teplotu a rýchlosť odstreďovania pre zvolený je možné meniť. Na displeji sa zobrazí doba trvania cyklu.


6. NASTAVTE PRACÍ PROGRAM PODĽA VAŠICH POTRIEB.

Použite príslušné tlačidlá:


  **Zmeňte teplotu a/alebo rýchlosť odstreďovania.** Zariadenie automaticky zobrazuje maximálnu teplotu a rýchlosť odstreďovania pre nastavený program alebo posledné zvolené hodnoty, ak sú vhodné pre zvolený program. Stlačením tlačidla  je možné postupne znížiť teplotu prania až po pranie v studenej vode "OFF". Stlačením tlačidla  je možné postupne znížiť rýchlosť odstreďovania až po jeho úplné vylúčenie "OFF". Ďalšie stlačenie tlačidiel obnoví nastavenie maximálnych prednastavených hodnôt.

! Výnimka: pri volbe programu  bude možné zvýšiť teplotu až na 90°C.


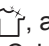
Nastavenie oneskoreného štartu.

Pre nastavenie oneskoreného štartu zvoleného programu stlačte príslušné tlačidlo, až kým nenastavíte požadovanú dobu oneskorenia. Keď je táto funkcia zvolená, na displeji sa rozsvieti symbol . Na zrušenie oneskoreného štartu je potrebné stlačiť tlačidlo, až kým sa na displeji nezobrazí symbol "OFF".

Nastavte požadovanú intenzitu prania.

Tlačidlo  umožňuje vykonať optimalizáciu prania na základe stupňa znečistenia tkanín a požadovanej intenzity prania.

Zvoľte program prania; cyklus bude automaticky nastavený na úroveň "Normal" (Normálne) a bude optimalizovaný pre stredne znečistené prádlo (toto nastavenie neplatí pre cyklus „Vlna“, ktorý sa automaticky nastaví na úroveň "Delicate" [Jemné]).

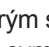
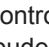
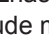
Pre značne znečistené prádlo stlačte tlačidlo , až kým nebude nastavená úroveň "Intensive" (Intenzívne). Táto úroveň zaručuje dokonalé pranie vďaka použitiu väčšieho množstva vody v počiatkovej fáze cyklu a väčšieho mechanického pohybu, a je užitočná pre odstránenie najodolnejších škvŕn. Môže sa používať s bieliacim prostriedkom alebo bez neho. Ak si prajete vykonať bielenie, vložte prídavnú nádobku 4 z príslušenstva do priehradky 1. Pri dávkovaní bieliaceho prostriedku neprekračujte úroveň „max“, vyznačenú na stredovom čape (vid' obrázok na str. 58). Pre mierne znečistené prádlo alebo pre jemné zaobchádzanie s látkami stlačte tlačidlo , až po dosiahnutie úrovne "Delicate" (Jemné). Cyklus obmedzí mechanický pohyb pre zaistenie dokonalých výsledkov prania jemného prádla.

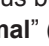
Zmena vlastností cyklu.

- Stlačte tlačidlo za účelom aktivácie voliteľnej funkcie; rozsvieti sa príslušná kontrolka.
- Opätovným stlačením môžete zvolenú voliteľnú funkciu zrušiť; príslušná kontrolka zhasne.

! V prípade, že zvolená voliteľná funkcia nie je kompatibilná s nastaveným pracím programom, kontrolka začne blikať a voliteľná funkcia nebude aktivovaná.

! Voliteľné funkcie môžu zmeniť uvedenú náplň a/alebo dobu trvania daného cyklu.

- 7. SPUSŤTE PROGRAM.** Stlačte tlačidlo START/PAUSE. Príslušná kontrolka sa rozsvieti stálym modrým svetlom a dôjde k zablokovaniu dvierok (rozsvieti sa symbol ZABLOKOVANÉ DVIERKA ). Ak chcete zmeniť program počas prebiehajúceho cyklu, aktivujte prerušenie cyklu práčky stlačením tlačidla START/PAUSE (kontrolka START/PAUSE bude blikať jantárovým svetlom); potom zvolte požadovaný program a znovu stlačte tlačidlo START/PAUSE. Ak chcete otvoriť dvierka počas pracieho cyklu, stlačte tlačidlo START/PAUSE; keď bude kontrolka ZABLOKOVANÉ DVIERKA  zhasnutá, bude možné otvoriť dvierka. Opätovným stlačením tlačidla START/PAUSE opätovne uveďte do činnosti prací program z bodu, v ktorom bol prerušený.
- 8. UKONČENIE PROGRAMU.** Bude signalizované zobrazením nápisu "END" na displeji a po zhasnutí symbolu ZABLOKOVANÉ DVIERKA  bude možné otvoriť dvierka. Otvorte dvierka, vyložte prádlo a vypnite zariadenie.

! Ak si želáte zrušiť už zahájený cyklus, stlačte dlhšie tlačidlo . Cyklus bude prerušený a dôjde k vypnutiu zariadenia.

Programy a voliteľné funkcie

SK

Tabuľka pracích programov

Pracie programy	Popis programu	Max. teplota (°C)	Max. rýchlosť (otáčky za minútu)	Pracie prostriedky a prídavné				Max. náplň (kg)	Zvyšková vlhkosť %	Spotreba energie kWh	Voda celkom lt	Doba trvania cyklu
				Predpiera- nie	Pranie	Bieliaci prostriedok	Aviváž					
1	Odstraňovanie Škvŕn	40°	1000	●	●	-	●	4	-	-	-	180'
2	Bavlna Biela	60°	1000	●	●	-	●	4	-	-	-	190'
	Štandardné programy pre bavlnu 60°C (1): Značne znečistené biele a farebné prádlo z odolných tkanín.	60° (Max. 90°)	1000	●(3)	●	●	●	6	62	0.91	54	160'
	Štandardné programy pre bavlnu 40°C (2): Málo znečistené biele a farebné prádlo z chĺlostivých tkanín.	40°	1000	-	●	●	●	6	62	1.09	92	150'
5	Syntetické: Veľmi znečistené farebné prádlo z odolných tkanín.	60°	800	●	●	●	●	3.5	49	0.87	42	90'
5	Syntetické (4): Málo znečistené farebné prádlo z chĺlostivých tkanín.	40°	800	●	●	●	●	3.5	49	0.56	42	80'
6	Protialergické	60°	1000	-	●	●	●	4	-	-	-	200'
7	Detský program	40°	1000	●	●	●	●	4	-	-	-	165'
8	Vlna: Pre vlnu, kašmír, atď.	40°	800	-	●	-	●	1.5	-	-	-	80'
9	Jemné prádlo	30°	0	-	●	-	●	1	-	-	-	75'
10	Rýchle Pranie 60': K rýchlemu oživeniu ľahko znečisteného prádla (nedoporučuje sa pre vlnu, hodváb a prádlo určené na pranie v rukách).	60°	1000	-	●	-	●	3.5	62	0.81	36	60'
11	Štandardné programy pre bavlnu 20°C: Málo znečistené biele a farebné prádlo z chĺlostivých tkanín.	20°	1000	-	●	●	●	6	-	-	-	175'
12	Bavlna	Studenej vode	1000	-	●	-	●	6	62	0.18	74	105'
13	Syntetické	Studenej vode	800	-	●	-	●	3	49	0.08	51	70'
14	Rýchle Pranie 30'	Studenej vode	800	-	●	-	●	3	71	0.05	57	30'
	Plákanie	-	1000	-	-	-	●	6	-	-	-	49'
	Odstred'ovanie + Odčerpávanie vody	-	1000	-	-	-	-	6	-	-	-	16'

Doba trvania cyklu, uvedená na displeji alebo v návode, je stanovená na základe štandardných podmienok. Skutočná doba sa môže meniť v závislosti na mnohých faktoroch, ako sú napr. teplota a tlak vody na vstupe, teplota prostredia, množstvo pracieho prostriedku, množstvo a druh náplne, vyváženie náplne a zvolené funkcie.

1) Kontrolný program podľa normy 1061/2010: nastavte program s teplotou 60°.

Tento cyklus je vhodný pre pranie bežne znečisteného bavlneného prádla a jedná sa o najúčinnjší cyklus z hľadiska kombinovanej spotreby energie a vody, určený pre prádlo, ktoré je možné prať pri teplote do 60°C. Skutočná teplota prania sa môže líšiť od uvedenej.

2) Kontrolný program podľa normy 1061/2010: nastavte program s teplotou 40°.

Tento cyklus je vhodný pre pranie bežne znečisteného bavlneného prádla a jedná sa o najúčinnjší cyklus z hľadiska kombinovanej spotreby energie a vody, určený pre prádlo, ktoré je možné prať pri teplote do 40°C. Skutočná teplota prania sa môže líšiť od uvedenej.

3) Pri teplote 60 °C funkcia "Predpieranie" nemôže byť aktivovaná.

Pre všetky Test Institutes:

2) Dlhý program na pranie bavlny: nastavte program s teplotou 40°C.

4) Dlhý program pre syntetické prádlo: nastavte program 5 s teplotou 40°C.

Voliteľné funkcie prania

Predpieranie

Voľbou tejto funkcie aktivujete predpieranie, užitočné na odstránenie odolných škvŕn.

POZN.: Pridajte prací prostriedok do príslušnej priehradky.

! Nie je možné ju aktivovať pri programoch (60°), .

6, 8, 9, 10, 11, 12, 13, 14, , .

Pracie prostriedky a prádlo

SK

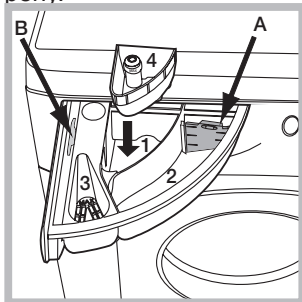
Dávkovač pracích prostriedkov

Dobry výsledok prania závisí aj od správneho dávkovania pracieho prostriedku: použitie nadmerného množstva znižuje efektivitu prania a napomáha tvorbe vodného kameňa na vnútorných častiach práčky a zvyšuje znečistenie životného prostredia.

! Používajte práškové pracie prostriedky pre biele bavlnené prádlo a pre predpranie a pre pranie pri teplote vyššej ako 60 °C.

! Dodržujte pokyny uvedené na obale pracieho prostriedku.

! Nepoužívajte pracie prostriedky určené na pranie v rukách, pretože spôsobujú tvorbu nadmerného množstva peny.



Pri vyťahovaní dávkovača pracích prostriedkov a pri jeho plnení pracími alebo prídavnými prostriedkami postupujte nasledovne.

Priehradka 1: Prací prostriedok na predpranie (práškový) Pred naplnením priehradky pracím prostriedkom sa uistite, že

v dávkovači nie je vložená prídavná priehradka 4.

Priehradka 2: Prací prostriedok na pranie (práškový alebo tekutý) V prípade použitia tekutého pracieho prostriedku sa odporúča použiť pre správne dávkovanie malú prepážku **A** z príslušenstva. Pre použitie práškového pracieho prostriedku vložte malú prepážku do priehlbiny **B**. **Priehradka 3: Prídavné prostriedky (aviváž, atď.)** Aviváž nesmie vytekať z mriežky.

Prídavná priehradka 4: Bieliaci prostriedok

Príprava prádla

- Roztriedte prádlo podľa:
 - druhu tkaniny / symbolu na visačke.
 - farby: oddel'te farebné prádlo od bieleho.
- Vyprázdnite vrecká a skontrolujte gombíky.
- Neprekračujte povolenú náplň, vzťahujúcu sa na hmotnosť suchého prádla: vid' "Tabuľka programov".

Koľko váži prádlo?

- 1 plachta 400-500 g
- 1 obliečka 150-200 g
- 1 obrus 400-500 g
- 1 župan 900-1.200 g
- 1 uterák 150-250 g

Špeciálne programy

Odstraňovanie škvŕn: cyklus **1** vhodný pre pranie značne znečisteného prádla s odolnými farbami. Tento program zaručuje vyššiu triedu prania ako štandardná trieda (trieda A). Pri použití tohto programu nemiešajte spolu prádlo rôznych farieb. Odporúča sa použitie práškového pracieho prostriedku. Pre odolné škvŕny sa odporúča vykonať predošetrenie špecifickými prídavnými prostriedkami.


Bavlna Biela: použite cyklus **2** pre pranie bieleho prádla. Program je navrhnutý pre dlhodobé zachovanie žiarivej bielej farby. Pre dosiahnutie najlepších výsledkov sa odporúča použiť práškový prací prostriedok.

Protialergické: použite program **6** pre odstránenie hlavných alergénov, ako je peľ, roztoče a mačacie a psie chlpy.

Detský program: prací program schopný odstrániť znečistenie typické pre malé deti, pričom je zaručené, že prací prostriedok bude z prádla odstránený, aby sa zabránilo alergiám na chúlостivej pleti malých detí. Tento prací cyklus **7** bol navrhnutý na zníženie množstva baktérií s použitím vyššieho množstva vody, čím sa optimalizuje účinok špecifických hygienizačných prísad, pridaných k pracímu prostriedku.

Vlna: Prací cyklus „Vlna“ práčky Hotpoint-Ariston bol testovaný a schválený spoločnosťou Woolmark Company pre pranie prádla z vlny, klasifikovaného ako „prádlo pre ručné pranie“, za podmienky, že pranie bude vykonané v súlade s pokynmi uvedenými na visačke oblečenia a pokynmi dodanými výrobcem elektrického spotrebiča. Hotpoint-Ariston je prvý typ práčky, ktorá získala od spoločnosti Woolmark Company certifikát Woolmark Apparel Care - Platinum za svoju výkonnosť a za spotrebu vody a energie.



Jemné prádlo: pre pranie veľmi jemného prádla, ktoré obsahuje aplikácie ako je štras alebo pajetky, použite program **9**. Pre pranie **hodvábného** prádla a **záclon** zvolte cyklus **9** a nastavte úroveň "Delicate" (Jemné) voliteľnej funkcie . Odporúča sa prádlo pred praním prevrátiť naruby a vložiť malé kusy prádla do príslušného vrecúška pre pranie jemného prádla. Pre dosiahnutie najlepších výsledkov sa odporúča použiť tekutý prací prostriedok pre jemné prádlo.

Programy Eko

Programy Eko ponúkajú účinné pranie pri nízkych teplotách, čím umožňujú štrnenie elektrickej energie, čo je výhodné ako pre životné prostredie, tak aj pre úsporu peňazí. Programy Eko (**12** Bavlna, **13** Syntetické a **14** Rýchle pranie 30') sú vhodné pre rôzne druhy tkanín a pre mierne znečistené prádlo. Pre zabezpečenie optimálneho výsledku odporúčame použiť tekutý prací prostriedok; odporúča sa predbežne ošetriť manžety, goliere a škvŕny.

Štandardné programy pre bavlnu 20°C ideálny pre náplne zo nečistenej bavlny. Účinné pranie i za studena, porovnateľné s raním pri 40 °C, dosiahnuté mechanickým pôsobením, ktoré je založené na zmene rýchlosti v krátkych alebo dlhých intervaloch.

System automatického vyváženia náplne

Pred každým odstredovaním bubon vykoná otáčanie rýchlosťou o málo prevyšujúcou rýchlosť prania, aby sa tak odstránili vibrácie a aby sa náplň rovnomerne rozložila. V prípade, že po niekoľko násobných pokusoch o vyváženie prádlo ešte nebude správne vyvážené, zariadenie vykoná odstredovanie nižšou rýchlosťou, ako je prednastavená rýchlosť. Ak je práčka nadmerne nevyvážená, vykoná namiesto odstredovania vyváženie. Za účelom dosiahnutia rovnomernejšieho rozloženia náplne a jej správneho vyváženia, odporúča sa pomiešať veľké a malé kusy prádla.

Poruchy a spôsob ich odstránenia

Môže sa stať, že práčka nebude fungovať. Skôr, ako zatelefonujete na Servisnú službu *vid' "Servisná služba"*) skontrolujte, či sa nejedná o problém ľahko odstrániteľný pomocou nasledujúceho zoznamu.

Poruchy:

Možné príčiny / Spôsob ich odstránenia:

Pračku nie je možné zapnúť.

- Zástrčka nie je zasunutá v elektrickej zásuvke, alebo nie je zasunutá dostatočne, aby došlo k spojeniu kontaktov.
- V celom dome je vypnutý prúd.

Nedochádza k zahájeniu pracovného cyklu.

- Nie sú riadne zatvorené dvierka.
- Nebolo stlačené tlačidlo ON/OFF.
- Nebolo stlačené tlačidlo START/PAUSE.
- Nebol otvorený kohútik prívodu vody.
- Bol nastavený oneskorený hodiny spustenia.

Do práčky nie je napúšťaná voda (Na displeji je zobrazený blikajúci nápis "H2O").

- Prítoková hadica nie je pripojená k vodovodnému kohútiku.
- Hadica je príliš ohnutá.
- Nebol otvorený kohútik prívodu vody.
- V celom dome je uzatvorený prívod vody.
- V rozvode vody nie je dostatočný tlak.
- Nebolo stlačené tlačidlo START/PAUSE.

Práčka nepretržite napúšťa a odčerpáva vodu.

- Vypúšťacia hadica sa nachádza mimo určeného rozmedzia od 65 do 100 cm nad zemou (*vid' "Inštalácia"*).
 - Koncová časť vypúšťacej hadice je ponorená vo vode (*vid' "Inštalácia"*).
 - Odpadové potrubie v stene nie je vybavené odzdušňovacím otvorom.
- Ak po týchto kontrolách nedôjde k odstráneniu problému, zatvorte vodovodný kohútik, vypnite práčku a zavolajte Servisnú službu. V prípade, že sa byt nachádza na jednom z najvyšších poschodí je možné, že dochádza k sifónovému efektu, následkom ktorého práčka nepretržite napúšťa a odčerpáva vodu. Na odstránenie uvedeného efektu sú v predaji bežne dostupné špeciálne "protisifónové" ventily.

Práčka neodčerpáva vodu alebo neodstredzuje.

- Odčerpanie vody netvorí súčasť nastaveného programu: Pri niektorých programoch je potrebné aktivovať ho manuálne.
- Vypúšťacia hadica je ohnutá (*vid' "Inštalácia"*).
- Odpadové potrubie je upchaté.

Práčka vo fáze odstredovania veľmi vibruje.

- Počas inštalácie nebol bubon odistený predpísaným spôsobom (*vid' "Inštalácia"*).
- Práčka nie je dokonale vyrovnaná do vodorovnej polohy (*vid' "Inštalácia"*).
- Práčka je stlačená medzi nábytkom a stenou (*vid' "Inštalácia"*).

Z práčky uniká voda.

- Prítoková hadica nie je správne zaskrutkovaná (*vid' "Inštalácia"*).
- Dávkočiaci prostriedok je upchatý (spôsob jeho vyčistenia je uvedený v časti "*Údržba a starostlivosť"*).
- Vypúšťacia hadica nie je dobre pripevnená (*vid' "Inštalácia"*).

Kontrolky "Voliteľné funkcie" a kontrolka "START/PAUSE" blikajú a na displeji je zobrazený kód poruchy (napr.: F-01, F-..).

- Vypnite zariadenie a vyťahnite zástrčku zo zásuvky, vyčkajte 1 minútu a opätovne ho zapnite. Ak porucha pretrváva, obráťte sa na Servisnú službu.

Dochádza k tvorbe nadmerného množstva peny.

- Použitý prací prostriedok nie je vhodný na použitie v automatickej práčke (musí obsahovať označenie "pre pranie v práčke", "pre pranie v rukách alebo v práčke" alebo podobné označenie).
- Bolo použité jeho nadmerné množstvo.

Servisná služba

SK

Pred obrátením sa na Servisnú službu:

- Skontrolujte, či nie ste schopní poruchu odstrániť sami (*viď* "Poruchy a spôsob ich odstránenia");
- Opätovne uveďte do chodu prací program, s cieľom overiť, či bola porucha odstránená;
- Ak to nie je možné, obráťte sa na Stredisko servisnej služby.

! Nikdy sa neobracajte so žiadosťou o pomoc na technikov, ktorí nie sú na vykonávanie tejto činnosti oprávnení.

Pri hlásení poruchy uveďte:

- druh poruchy;
- model zariadenia (Mod.);
- výrobné číslo (S/N).

Tieto informácie sú uvedené na štítku aplikovanom na zadnej časti práčky a v jej prednej časti, dostupnej po otvorení dvierok.

RO

Română

WMSF 602

RO

Sumar

Instalare, 62-63

Despachetare și punere la nivel
Racorduri hidraulice și electrice
Primul ciclu de spălare
Date tehnice

Întreținere și curățire, 64

Înteruperea alimentării cu apă și curent electric
Curățarea mașinii de spălat
Curățarea compartimentului pentru detergent
Îngrijirea ușii și a tamburului
Curățarea pompei
Controlarea furtunului de alimentare cu apă

Precauții și sfaturi, 65

Siguranța generală
Scoaterea aparatului din uz
Deschiderea manuală a ușii

Descrierea mașinii de spălat, 66-67

Panoul de control
Display

Cum se desfășoară un ciclu de spălare, 68

Programe și opțiuni, 69

Tabel de programe
Opțiuni de spălare

Detergenți și rufe, 70

Sertarul detergenților
Pregătirea rufelor
Programe particulare

Anomalii și remedii, 71

Asistență, 72

Instalare

RO

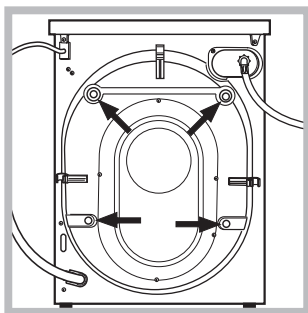
! Este important să păstrați acest manual pentru a-l putea consulta în orice moment. În caz de vânzare, de cesiune sau de schimbare a locuinței, acesta trebuie să rămână împreună cu mașina de spălat pentru a informa noul proprietar cu privire la funcționare și la respectivele avertismente.

! Citiți cu atenție instrucțiunile: veți găsi informații importante cu privire la instalare, la folosire și la siguranță.

Despachetare și punere la nivel

Despachetare

1. Scoaterea din ambalaj a mașinii de spălat.
2. Controlați ca mașina de spălat să nu fi fost deteriorată în timpul transportului. Dacă este deteriorată, nu o conectați și contactați agentul de vânzare.



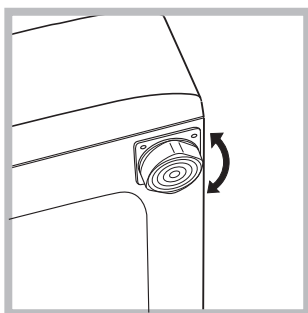
3. Scoateți cele 4 șuruburi de protecție pentru transport și cauciucul cu distanțierul respectiv, situate în partea posterioară (a se vedea figura).

4. Închideți orificiile cu dopurile din plastic aflate în dotare.
5. Păstrați toate piesele: pentru cazul în care mașina de spălat va trebui să fie transportată, piesele vor trebui montate din nou.

! Ambalajele nu sunt jucării pentru copii!

Punere la nivel

1. Instalați mașina de spălat pe un paviment plan și rigid, fără a o sprijini de ziduri, mobilă sau altceva.



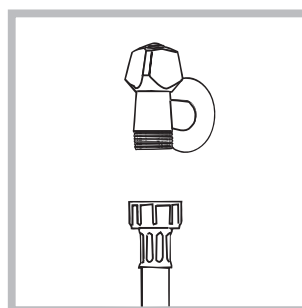
2. Dacă podeaua nu este perfect orizontală, compensați neregularitățile deșurubând sau înșurubând picioarele anterioare

(a se vedea figura); unghiul de înclinare, măsurat pe planul de lucru, nu trebuie să depășească 2°.

O nivelare precisă conferă stabilitate mașinii și evită vibrații, zgomote și deplasări pe timpul funcționării. În cazul mochetelor sau a unui covor, reglați picioarele astfel încât să mențineți sub mașina de spălat un spațiu suficient pentru ventilare.

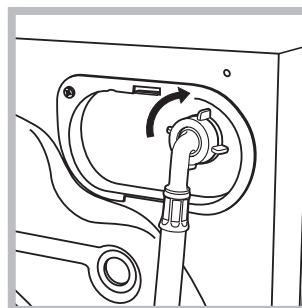
Racorduri hidraulice și electrice

Racordarea furtunului de alimentare cu apă



devenit limpede.

1. Conectați furtunul de alimentare, înșurubându-l la un robinet de apă rece cu gura filetată de 3/4 gaz (a se vedea figura). Înainte de conectare, lăsați apa să curgă până când nu a



2. Conectați tubul de alimentare la mașina de spălat, înșurubându-l la priza de apă respectivă, amplasată în partea posterioară, sus în dreapta (a se vedea figura).

3. Fiți atenți ca furtunul să nu fie nici pliat, nici îndoit.

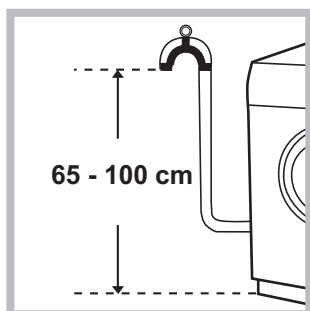
! Presiunea apei de la robinet trebuie să fie cuprinsă în valorile din tabelul cu Date tehnice (a se vedea pagina alăturată).

! Dacă lungimea furtunului de alimentare nu este suficientă, adresați-vă unui magazin specializat sau unui instalator autorizat.

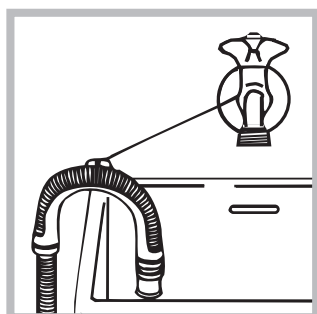
! Nu folosiți niciodată tuburi folosite deja.

! Utilizați tuburile furnizate cu mașina.

Conectarea furtunului de golire



Conectați furtunul de evacuare, fără al îndoii, la o conductă sau la o gură de evacuare în zid, situate între 65 și 100 cm de pământ;



sau sprijiniți pe marginea unei chiuvete sau a unei căzi, legând elementul de ghidare la robinet (a se vedea figura). Capătul liber al furtunului de golire nu trebuie să rămână cufundat în

apă.

! Nu se recomandă folosirea furtunurilor prelungitoare; dacă este indispensabil, acestea trebuie să aibă același diametru ca și furtunul original și nu trebuie să depășească 150 cm lungime.

Racordarea electrică

Înainte de a introduce ștecherul în priza de curent, asigurați-vă că:

- priza să fie cu împământare și conformă prevederilor legale;
- priza să poată suporta sarcina maximă de putere a mașinii, indicată în tabelul cu Date tehnice (a se vedea alături);
- tensiunea de alimentare să fie cuprinsă în valorile indicate în tabelul cu Date tehnice (a se vedea alături);
- priza să fie compatibilă cu ștecărul mașinii de spălat. În caz contrar înlocuiți priza sau ștecărul.

! Mașina de spălat nu trebuie instalată afară, nici chiar în cazul în care spațiul este adăpostit, deoarece este foarte periculoasă expunerea mașinii la ploii și furtuni.

! După instalarea mașinii de spălat, priza de curent trebuie să fie ușor accesibilă.

! Nu folosiți prelungitoare și prize multiple.

! Cablul nu trebuie să fie îndoit sau comprimat.

! Cablul de alimentare trebuie să fie înlocuit doar de instalatorii autorizați.

Atenție! Firma își declină orice responsabilitate în cazul în care aceste norme nu se respectă.

Primul ciclu de spălare

După instalare, înainte de folosire, efectuați un ciclu de spălare cu detergent și fără rufe, selectând programul „AUTOCURĂȚARE”.

Date tehnice	
Model	WMSF 602
Dimensiuni	lățime 59,5 cm înălțime 85 cm profundime 43,5 cm
Capacitate	de la 1 la 6 kg
Legături electrice	Vezi placuta cu caracteristicile tehnice, aplicata pe masina.
Legături hidrice	presiune maximă 1 MPa (10 bari) presiune minimă 0,05 MPa (0,5 bari) capacitatea cuvei 48 litri
Viteza de centrifugare	până la 1000 de rotații pe minut
Programe de control conform directivelor 1061/2010 1015/2010	programul $\langle 60^{\circ}\text{C}$; program standard la 60 °C pentru rufe din bumbac"; programul $\langle 40^{\circ}\text{C}$; program standard la 40 °C pentru rufe din bumbac";
 	Acest aparat este conform cu următoarele Directive Comunitare: - 2004/108/CE (Compatibilitate Electromagnetică) - 2006/95/CE (Tensiuni Joase) - 2002/96/CE
Zgomot (dB(A) re 1 pW)	Spălare: 58 Centrifugare: 72

Întreținere și curățare

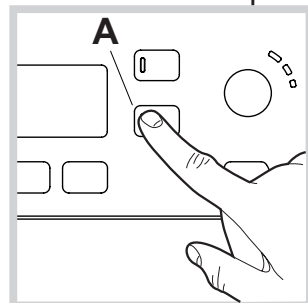
RO

Înteruperea alimentării cu apă și curent electric

- Închideți robinetul de apă după fiecare spălare. Se limitează astfel uzura instalației hidraulice a mașinii de spălat și se elimină pericolul scurgerilor.
- Scoateți stecherul din priza de curent atunci când curățați mașina de spălat și când se efectuează lucrări de întreținere.

Curățarea mașinii de spălat

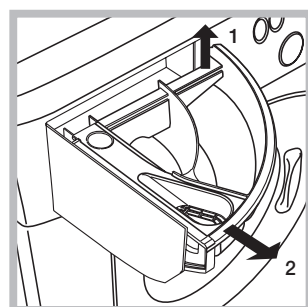
- Partea externă și părțile din cauciuc pot fi curățate cu o lavetă înmuiată în apă caldută și săpun. Nu folosiți solvenți sau substanțe abrazive.
- Mașina de spălat este prevăzută cu un program de „AUTOCURĂȚARE” a pieselor interne care trebuie realizat **fără niciun fel de încărcătură în cuvă**. Detergentul (în cantitate de 10% din cea recomandată pentru rufe puțin murdare) sau aditivii specifici pentru curățarea mașinii de spălat pot fi folosite ca mijloace auxiliare în programul de spălare. Se recomandă efectuarea programului de curățare la fiecare 40 de cicluri de spălare.



Pentru a activa programul, apăsați butonul **A** pentru 5 secunde (a se vedea figura). Programul pornește automat și durează aproximativ 70 de minute. Pentru a termina ciclul, apăsați

butonul START/PAUSE.

Curățarea compartimentului pentru detergent



Trageți afara compartimentul ridicându-l și tragându-l spre exterior (a se vedea figura). Spălați-l sub un jet de apă; această operație trebuie efectuată cât mai des posibil.

Îngrijirea ușii și a tamburului

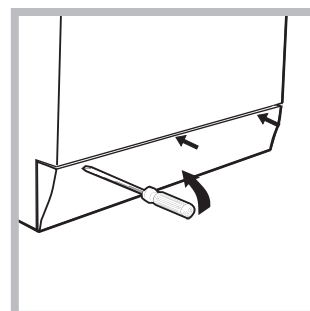
- Lăsați mereu ușa întredeschisă pentru a evita formarea de mirosuri neplăcute.

Curățarea pompei

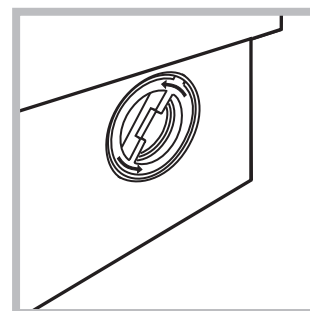
Mașina de spălat este dotată cu o pompă de autocurățare care nu are nevoie de întreținere. Se poate întâmpla însă ca unele obiecte mici (monede, nasturi) să cadă în anticamera care protejează pompa, situată în partea inferioară a acesteia.

! Verificați ca ciclul de spălare să fie încheiat și scoateți stecherul din priză.

Pentru a avea acces la anticameră:



1. scoateți panoul de acoperire din partea din față a mașinii de spălat folosind o șurubelniță (a se vedea figura);



2. deșurubați capacul rotindu-l în sens invers acelor de ceasornic (a se vedea figura). Este normal să iasă puțină apă;

3. curățați cu grijă interiorul;
4. înșurubați la loc capacul;
5. montați din nou panoul verificând, înainte de a-l împinge spre mașină, de a fi introdus cârligele în orificiile respective.

Controlarea furtunului de alimentare cu apă

Controlați tubul de alimentare cel puțin o dată pe an. Dacă prezintă crăpături sau fisuri trebuie înlocuit: pe parcursul spălărilor, presiunea puternică ar putea provoca crăpături neașteptate.

! Nu folosiți niciodată tuburi folosite deja.

Precauții și sfaturi

RO

! Mașina de spălat a fost proiectată și construită conform normelor internaționale de protecție. Aceste avertizări sunt furnizate din motive de siguranță și trebuie să fie citite cu atenție.

Siguranța generală

- Acest aparat a fost conceput exclusiv pentru utilizarea în locuințe.
- Aparatul nu trebuie utilizat de către persoane (inclusiv Aparat aparat poate fi folosit de copii începând cu vârsta de 8 ani și de persoane cu capacități fizice, senzoriale sau mentale reduse sau cu experiență și cunoștințe insuficiente dacă sunt supravegheate sau dacă au primit o pregătire adecvată privind folosirea aparatului în mod sigur și înțelegând pericolele respective. Copiii nu trebuie să se joace cu aparatul. Întreținerea și curățarea nu trebuie să fie efectuate de copii fără supraveghere.
- Mașina de spălat trebuie să fie folosită doar de persoane adulte care respectă instrucțiunile din acest manual.
- Nu atingeți mașina când sunteți desculți sau cu mâinile sau picioarele ude sau umede.
- Nu scoateți ștecherul din priză trăgând de cablu, ci apucând ștecherul.
- Nu deschideți sertarul detergentilor în timp ce mașina se află în funcțiune.
- Nu atingeți apa de evacuare: poate avea o temperatură ridicată.
- Nu forțați în nici un caz ușa: s-ar putea deteriora mecanismul de siguranță care evită deschiderea accidentală.
- În caz de defecțiuni, nu umblați în niciun caz la mecanismele din interior și nu încercați să o reparați singuri.
- Controlați mereu ca în apropierea mașinii aflate în funcțiune, să nu se afle copii.
- Pe durata spălării ușa se poate încălzi.
- Dacă trebuie să deplasați mașina, cereți ajutor unei alte (sau 2) persoane și fiți foarte atenți. Niciodată nu deplasați mașina singuri deoarece aceasta este foarte grea.
- Înainte de a introduce rufe, controlați ca și cuva să fie goală.

Scoaterea din uz

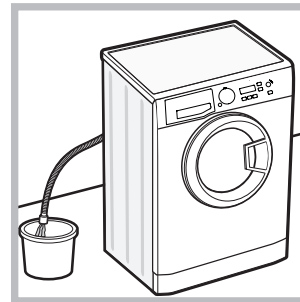
- Eliminarea ambalajelor: respectați reglementările locale, în acest fel ambalajele vor putea fi refolosite.
- Directiva Europeană 2002/96/CE cu privire la deșeurile care provin de la aparatura electrică sau electronică prevede ca aparatele electrocasnice să nu fie colectate împreună cu deșeurile urbane solide, obișnuite. Aparatele scoase din uz trebuie să fie colectate separat atât pentru a optimiza rata de recuperare și de reciclare a materialelor componente cât și pentru a evita pericolele care pot afecta sănătatea omului sau polua mediul înconjurător. Simbolul

tomberonului tăiat care apare pe toate produsele vă amintește tocmai obligația de a le colecta separat. Pentru informații suplimentare cu privire la scoaterea din uz a electrocasnicelor, deținătorii acestora pot apela la centrele de colectare a deșeurilor sau la vânzătorii de la care au achiziționat produsele respective.

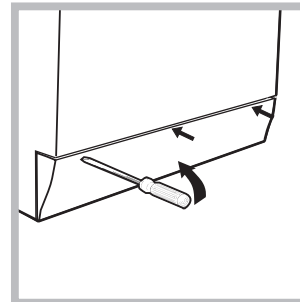
Deschiderea manuală a ușii

Dacă nu este posibil să deschideți ușa din cauza întreruperii curentului electric și doriți totuși să întindeți rufe, procedați după cum urmează:

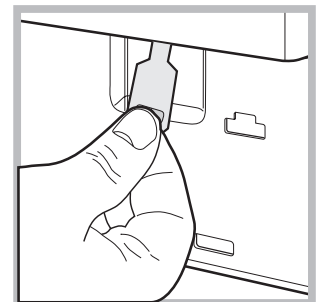
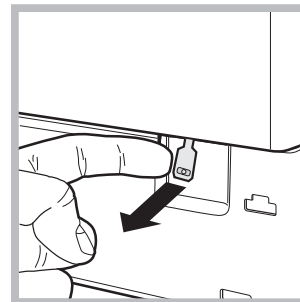
1. scoateți ștecherul din priză.



2. verificați ca nivelul de apă din mașină să fie sub marginea ușii; în caz contrar, scoateți apa în exces cu ajutorul furtunului de golire, punând-o într-un vas, după indicațiile din *figura*.



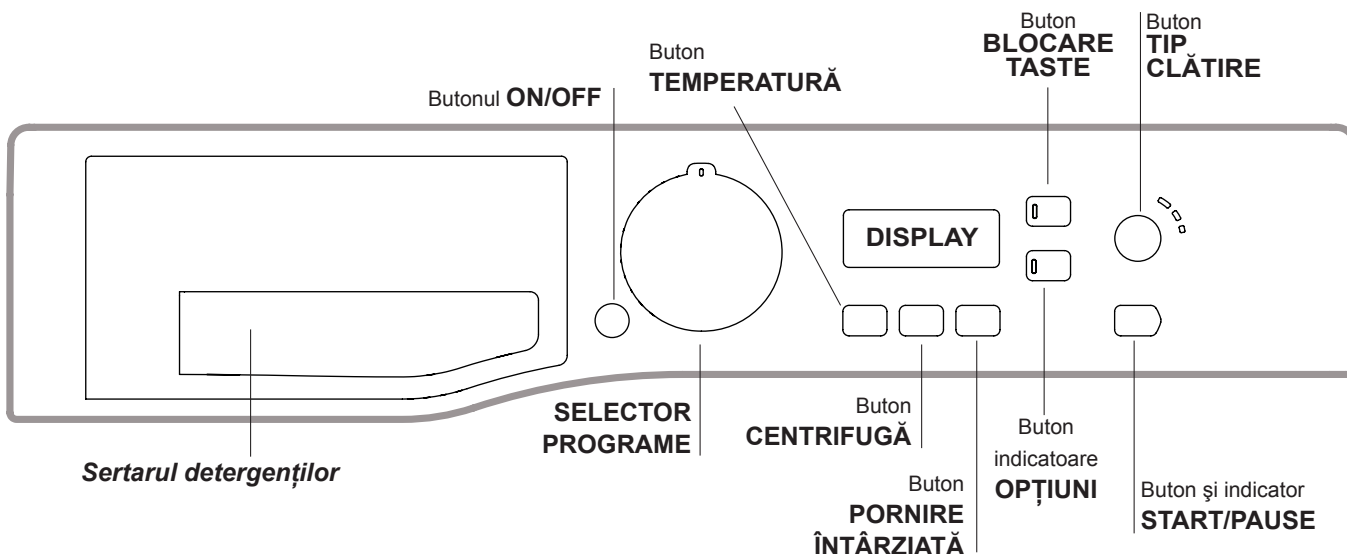
3. scoateți panoul de acoperire din partea din față a mașinii de spălat folosind o șurubelniță (a se vedea *figura*).




4. utilizând dispozitivul indicat în figură, trageți spre dumneavoastră până când eliberați tirantul de plastic din opritor; trageți apoi în jos și, în același timp, deschideți ușa.
5. montați din nou panoul verificând, înainte de a-l împinge spre mașină, de a fi introdus cârligele în orificiile respective.

Descrierea mașinii de spălat

Panoul de control





Sertarul detergenților: pentru a introduce detergenții sau aditivele (a se vedea “Detergenți și rufe”).


Buton **ON/OFF** : apăsați scurt tasta pentru a porni sau opri mașina de spălat. Indicatorul START/PAUSE emite un semnal intermitent de culoare verde, ceea ce vă confirmă pornirea mașinii. Pentru a opri funcționarea mașinii de spălat în timpul spălării, este necesar să țineți apăsată tasta circa 3 secunde; o apăsare de scurtă durată sau accidentală nu va opri mașina. Oprirea mașinii de spălat în timpul executării unui ciclu va anula programul în curs de desfășurare.


SELECTOR PROGRAME: pentru a alege programul dorit (a se vedea “Tabel programe”).


Buton și indicatoare **OPȚIUNE:** pentru a selecta opțiunile disponibile. Indicatorul privind opțiunea selectată va rămâne aprins.



Buton **TIP CLĂTIRE** : apăsați pentru a selecta tipul dorit de clătire.

Buton **TEMPERATURA** : apăsați butonul pentru a diminua sau exclude temperatura; valoarea acesteia va fi afișată pe display.

Buton **CENTRIFUGĂ** : apăsați butonul pentru a reduce numărul de rotații sau a bloca storcătorul; numărul de turații se poate vedea pe display.

Buton **PORNIRE ÎNTĂRZIATĂ** : apăsați pentru a seta sau pornire întârziată a programului preselectat; întârzierea este indicată pe display.

Buton și indicator **START/PAUSE:** când ledul verde emite un semnal intermitent, apăsați tasta pentru a porni ciclul de spălare. După activarea ciclului, ledul rămâne aprins. Pentru a introduce o pauză în timpul spălării, apăsați din nou tasta: ledul va emite o lumină intermitentă, de culoare portocalie. După stingerea indicatorului luminos , puteți deschide ușa. Pentru a continua spălarea, de unde a fost întreruptă, apăsați din nou tasta.

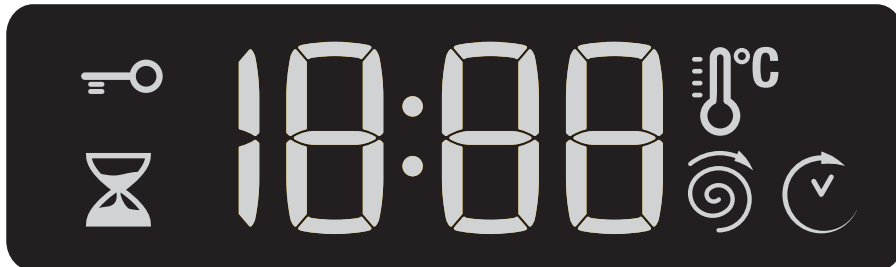
Buton **BLOCARE TASTE** : pentru a **bloca** panoul de comandă, țineți apăsată tasta timp de 2 secunde. Dacă ledul  corespunzător este aprins, atunci panoul de comenzi este blocat. În acest fel, se evită modificarea accidentală a unui program (cu excepția buton ON/OFF), în special de către copii. Pentru a **debloca** panoul de comandă, țineți apăsată tasta timp de 2 secunde.

Modalitatea de stand by

Această mașină de spălat rufe, conform noilor norme legate de economia de curent electric, este dotată cu un sistem de oprire automat (stand-by) care intră în funcțiune după 30 minute de neutilizare. Apăsați scurt tasta ON/OFF și așteptați repunerea în funcțiune a mașinii.

Consum în off-mode: 0,5 W

Consum în Left-on: 0,5 W




Ecranul este util pentru a programa mașina și a furniza numeroase informații.

Se afișează durata diferitelor programe disponibile și, după începerea ciclului, timpul rămas până la sfârșitul acestuia; dacă a fost programat un interval de PORNIRE ÎNTÂRZIATĂ, este afișat intervalul rămas până la pornirea programului selectat.

De asemenea, apăsând butonul corespunzător, se vizualizează valorile maxime ale vitezei centrifugii și ale temperaturii pe care mașina le poate efectua în baza programului setat sau ultimele valori selectate dacă sunt compatibile cu programul ales.


Indicator **UȘĂ BLOCATĂ**

Iluminarea simbolului indică blocarea hubloului. Pentru a evita daune este necesar să se aștepte ca simbolul să se stingă înainte de a deschide ușa.




Pentru a deschide ușa în timpul executării unui ciclu, apăsați butonul START/PAUSE; când simbolul UȘĂ BLOCATĂ  se stinge, puteți deschide ușa.

Cum se desfășoară un ciclu de spălare



RO

- 1. PUNEREA ÎN FUNCȚIUNE A MAȘINII** Apăsăți butonul ; indicatorul START/PAUSE va lumina intermitent lent cu culoarea verde.
- 2. INTRODUCEREA RUFELOR** Deschideți ușa. Introduceți rufele în mașină, fiind atenți să nu depășiți cantitatea indicată în tabelul de programe - a se vedea pagina următoare.
- 3. DOZAREA DETERGENTULUI** Extrageți sertarul și turnați detergent în compartimentele respective, după indicațiile din capitolul "Detergenți și rufe".
- 4. ÎNCHIDEȚI UȘA.**
- 5. ALEGEREA PROGRAMULUI** Selectați cu butonul PROGRAME programul dorit; acestuia îi sunt asociate o temperatură și o viteză de centrifugă care pot fi modificate. Pe ecran va apărea și durata ciclului.
- 6. PERSONALIZAREA CICLULUI DE SPĂLARE.** Apăsăți butoanele: respective.


Modificarea temperaturii și/sau a centrifugei.

Mașina afișează automat temperatura și centrifuga maxime prevăzute pentru programul ales, sau ultimele selectate, dacă sunt compatibile cu programul. Apăsând butonul  se reduce progresiv temperatura pînă spălarea rece "OFF". Apăsând butonul  se reduce progresiv centrifuga pînă la excluderea sa "OFF". Din acest moment, apăsarea ulterioară a butonelor va aduce valorile la cele maxime prevăzute. **!** Excepție: dacă selectați programul  temperatura poate fi crescută pînă la 90°.


Setați pornirea întârziată.

Pentru a programa pornirea întârziată a mașinii, apăsați butonul respectiv pentru a alege timpul de întârziere dorit. Când această opțiune este activată, pe display se aprinde simbolul . Pentru a șterge pornirea întârziată, apăsați butonul  pînă când pe ecran vedeți inscripția "OFF".

Reglați intensitatea dorită de spălare.


Opțiunea  permite optimizarea spălării în funcție de gradul de murdărie al țesăturilor și de intensitatea dorită a spălării.

Selectați programul de spălare, ciclul este reglat automat la nivelul „Normal”, optimizat pentru rufe cu grad normal de murdărie (această reglare nu este valabilă pentru ciclul „Lână”, care se reglează automat la nivelul „Delicate”).

Pentru rufe foarte murdare apăsați butonul  pînă se ajunge la nivelul „Intensive”. Datorită utilizării unei cantități mai mari de apă în faza inițială a ciclului și a unei mișcări mecanice mai mari, această opțiune garantează o spălare de mare performanță și este

utilă pentru eliminarea petelor rezistente. Poate fi utilizată **cu** sau **fără** înălbitor.

Dacă doriți să efectuați albirea, introduceți tăvița suplimentară **4**, din dotare, în tăvița **1**. Când dozați înălbitorul, nu depășiți nivelul „max” indicat pe pivotul central (*a se vedea figura de la pag. 70*).

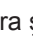


Pentru rufe puțin murdare sau pentru un tratament mai delicat al țesăturilor, apăsați butonul  pînă se ajunge la nivelul „Delicate”. Ciclul va reduce mișcarea mecanică pentru a asigura rezultate perfecte de spălare pentru rufele delicate.


Modificarea caracteristicilor ciclului.

- Apăsăți butonul pentru a activa opțiunea; indicatorul corespunzător butonului se va aprinde.
- Apăsăți din nou butonul pentru a dezactiva această opțiune; indicatorul luminos respectiv se va stinge.

! Dacă opțiunea selectată nu este compatibilă cu programul ales, ledul corespunzător va semnaliza iar funcția nu se va activa.

! Cantitatea de rufe admisă precum și durata ciclului pot varia în funcție de funcția aleasă.

- 7. ACTIVAREA UNUI PROGRAM.** Apăsăți butonul START/PAUSE. Indicatorul luminos se va aprinde - culoare albastră și ușa se va bloca (simbolul UȘĂ BLOCATĂ  se va aprinde). Pentru a modifica un program în timpul executării unui ciclu, apăsați butonul START/PAUSE pentru a întrerupe momentan ciclul); indicatorul corespunzător butonului START/PAUSE se va aprinde intermitent culoarea aurie) și alegeți noul ciclu dorit și apăsați din nou butonul START/PAUSE. Pentru a deschide ușa în timpul executării unui ciclu, apăsați butonul START/PAUSE; când simbolul UȘĂ BLOCATĂ  se stinge, puteți deschide ușa. Apăsăți din nou butonul START/PAUSE pentru a relua programul de unde era oprit.
- 8. TERMINAREA PROGRAMULUI** La încheierea ciclului, pe ecran va apărea mesajul "END"; când simbolul UȘĂ BLOCATĂ  se stinge, puteți deschide ușa. Deschideți ușa, scoateți rufele și opriți mașina de spălat.

! Dacă doriți să anulați un ciclu deja activat, apăsați îndelung butonul . Ciclul se va întrerupe iar mașina se va opri.

Programe și opțiuni

RO

Tabel de programe

Programe	Descrierea Programului	Temp. max. (°C)	Viteza max. (rotații pe minut)	Detergenți				Sarcina Max. (kg)	Umiditate reziduală%	Consum energie kWh	Apă totală lt	Durata ciclului de spălare
				Prespălare	Decolorant	Balsam rufe	Spălare					
1	Antitipată	40°	1000	●	●	-	●	4	-	-	-	180'
2	Albituri	60°	1000	●	●	-	●	4	-	-	-	190'
	Program standard la 60°C pentru rufe din bumbac (1): albe și colorate rezistente foarte murdare.	60° (Max. 90°)	1000	●(3)	●	●	●	6	62	0.91	54	160'
	Program standard la 40°C pentru rufe din bumbac (2): albe și colorate delicate puțin murdare.	40°	1000	-	●	●	●	6	62	1.09	92	150'
5	Sintetice: colorate rezistente foarte murdare.	60°	800	●	●	●	●	3.5	49	0.87	42	90'
5	Sintetice (4): colorate rezistente puțin murdare.	40°	800	●	●	●	●	3.5	49	0.56	42	80'
6	Antialergic	60°	1000	-	●	●	●	4	-	-	-	200'
7	Baby	40°	1000	●	●	●	●	4	-	-	-	165'
8	Lână: pentru lână, cașmir, etc.	40°	800	-	●	-	●	1.5	-	-	-	80'
9	Ultra Delicate	30°	0	-	●	-	●	1	-	-	-	75'
10	SPĂLARE RAPIDĂ 60': pentru a împăspăta rapid articolele puțin murdare (nu este indicat pentru lână, mătase și articole de spălat cu mână).	60°	1000	-	●	-	●	3.5	62	0.81	36	60'
11	Program standard la 20°C pentru rufe din bumbac: albe și colorate delicate puțin murdare.	20°	1000	-	●	●	●	6	-	-	-	175'
12	Bumbac	Apă rece	1000	-	●	-	●	6	62	0.18	74	105'
13	Sintetice	Apă rece	800	-	●	-	●	3	49	0.08	51	70'
14	Rapid 30'	Apă rece	800	-	●	-	●	3	71	0.05	57	30'
	Clătire	-	1000	-	-	-	●	6	-	-	-	49'
	Centrifugă + Golire	-	1000	-	-	-	-	6	-	-	-	16'

Durata ciclului indicată pe display sau în carte este calculată în baza unor condiții standard. Timpul efectiv poate varia în baza a numeroși factori, precum temperatura și presiunea apei la intrare, temperatura mediului, cantitatea de detergent, cantitatea și tipul încărcăturii, echilibrarea încărcăturii, opțiunile suplimentare selectate.

1) Programul de control conform normei 1061/2010: setați programul cu o temperatură de 60°C.

Acest ciclu este potrivit pentru curățarea unei încărcături de bumbac cu grad de murdărie normal și este cel mai eficient din punct de vedere al consumului combinat de energie și apă; se folosește pentru articole de îmbrăcăminte care pot fi spălate la 60°C. Temperatura efectivă de spălare poate diferi de cea indicată.

2) Programul de control conform normei 1061/2010: setați programul cu o temperatură de 40°C.

Acest ciclu este potrivit pentru curățarea unei încărcături de bumbac cu grad de murdărie normal și este cel mai eficient din punct de vedere al consumului combinat de energie și apă; se folosește pentru articole de îmbrăcăminte care pot fi spălate la 40°C. Temperatura efectivă de spălare poate diferi de cea indicată.

3) La temperatura de 60 °C funcția de "Prespălare" nu poate fi activată.

Pentru toate Instituțiile de Testare:

3) Program pentru bumbac, prelungit: setați programul cu o temperatură de 40°C.

4) Program sintetic lung: setați programul 5 cu o temperatură de 40°C.

Opțiuni de spălare

P Prespălare

Această funcție este utilă pentru prespălarea rufelor, mai ales în scopul de a îndepărta petele rezistente.

N.B.: Adăugați detergent în sertarul respectiv.

! Nu poate fi activată pe programele (60°), (40°), 6, 8, 9, 10, 11, 12, 13, 14, , .

Detergenți și rufe

RO

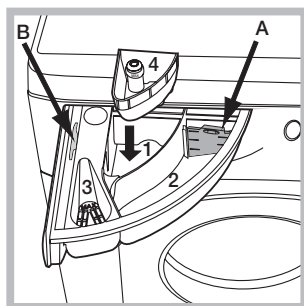
Sertarul detergenților

Un rezultat bun la spălare depinde și de dozarea corectă a detergentului: excesul de detergent nu garantează o spălare mai eficientă, ci contribuie la încrustarea părților interne ale mașinii de spălat și la poluarea mediului înconjurător.

! Utilizați detergenți praf pentru rufe albe de bumbac, pentru prespălare și pentru spălarea la temperaturi mai mari de 60°C.

! Respectați indicațiile de pe ambalajul detergentului.

! Nu introduceți în mașină detergenții pentru spălarea manuală deoarece formează prea multă spumă.



Extrageți sertarul pentru detergenți și introduceți detergentul sau aditivul după cum urmează:

compartment 1: Detergent pentru prespălare (sub formă de praf)

Înainte de a adăuga detergentul verificați ca sertarul adițional 4 să nu fie introdus.

compartment 2: Detergent pentru spălare (sub formă de praf sau lichid)

Când utilizați detergent lichid este recomandat să folosiți peretele despărțitor **A** prevăzut pentru dozarea corectă. Pentru utilizarea de detergent praf puneți peretele despărțitor în cavitatea **B**.

compartment 3: Aditivi (soluție de înmuiat, balsam rufe etc.)

Soluția de înmuiat nu trebuie să iasă deasupra grătarului.

compartment adițional 4: Decolorant (Înălbitor)

Pregătirea rufelor

- Subdivizați rufe în funcție de:
 - tipul de țesătură / simbolul de pe etichetă.
 - culori: separați rufe colorate de cele albe.
- Goliți buzunarele și controlați nasturii.
- Nu depășiți valorile indicate, referite la greutatea rufelor uscate: a se vedea "Tabel de programe".

Cât cântăresc rufele?

- 1 cearceaf 400-500 g.
- 1 față de pernă 150-200 g.
- 1 față de masă 400-500 g.
- 1 halat de baie 900-1.200 g.
- 1 prosop 150-250 g.

Programe particulare

Antipată: programul 1 este potrivit pentru rufe foarte murdare, cu culori rezistente. Programul asigură o clasă de spălare superioară față de clasa standard (clasa A). Nu efectuați programul amestecând rufe de culori diferite. Se recomandă folosirea unui detergent praf. Pentru petele dificile se recomandă pre-tratamentul cu aditivi specifici.

Albituri: folosiți acest ciclu 2 pentru spălarea rufelor albe. Programul este conceput pentru a păstra strălucirea culorii albe în timp. Pentru rezultate mai bune, se recomandă folosirea unui detergent praf.


Antialergic: folosiți programul 6 pentru îndepărtarea principalilor alergeni, cum ar fi polenul, acarienii din praf, părul de pisică și de câine.

Baby: folosiți programul special 7 pentru a înlătura murdăria tipică a copiilor și pentru a elimina detergentul din rufe, evitând astfel reacțiile alergice pentru pielea delicată a copiilor. Ciclu a fost conceput pentru a diminua încărcarea bacteriană prin folosirea unei cantități de apă mai mari și prin optimizarea aditivelor speciale de igienizare, adăugate la detergent.

Lână: ciclul de spălare "Lână" al acestei mașini de spălat Hotpoint-Ariston a fost testat și aprobat de Woolmark Company pentru spălarea articolelor de lână clasificate ca fiind lavabile de mână, cu condiția ca spălarea să se efectueze în conformitate cu instrucțiunile specificate pe eticheta articolului și cu indicațiile furnizate de producătorul aparatului. Hotpoint-Ariston este prima marcă de mașini de spălat care a obținut de la Woolmark Company certificarea Woolmark Apparel Care - Platinum pentru performanțele sale de spălare și consumul de apă și energie.



Ultra Delicate: folosiți programul 9 pentru spălarea rufelor foarte delicate, care au aplicații, cum ar fi strass sau paiete.

Pentru a spăla articole din **mătase și perdele**, selectați ciclul 9 și reglați nivelul „Delicate” al opțiunii . Se recomandă să întoarceți pe dos rufe înainte de spălare și să introduceți articolele mici într-un sac special pentru spălarea rufelor delicate.

Pentru cele mai bune rezultate, vă recomandăm utilizarea unui detergent lichid pentru rufe delicate.

Programele Eco

Programele Eco oferă performanțe bune de spălare la temperaturi scăzute, permițând o folosire redusă a energiei electrice, ceea ce înseamnă un beneficiu pentru mediul înconjurător și o economie de bani.

Programele Eco (Bumbac 12, Sintetice 13 și Rapid 30' 14) au fost create pentru diferite tipuri de țesături și pentru rufe puțin murdare. Pentru a garanta un rezultat optim, recomandăm folosirea unui detergent lichid; se recomandă pre-tratarea manșetelor, gulerelor și petelor.

Program standard la 20°C pentru rufe din bumbac ideal pentru rufe de bumbac murdare. Performanțele bune și la rece, comparabile cu o spălare la 40°, sunt garantate de o acțiune mecanică care lucrează prin varierea vitezei la intervale repetate și apropiate.

Sistemul de echilibrare a sarcinii

Pentru a evita trepidațiile excesive, înainte de storcere, cuva mașinii va distribui cantitatea de rufe în mod uniform, centrifuga efectuând câteva rotații la o viteză mai mare decât viteza de spălare. Dacă, după numeroase încercări, mașina nu reușește să echilibreze greutatea, storcerea rufelor se va face la o viteză mai mică decât cea prevăzută în program. Dacă instabilitatea este prea mare, mașina va distribui greutatea în locul centrifugei. Pentru a favoriza o mai bună repartizare a rufelor și echilibrarea corectă a mașinii, se recomandă să introduceți în mașină atât articole mari cât și mici.

Anomalii și remedii

Se poate întâmpla ca mașina de spălat să nu funcționeze. Înainte de a apela serviciul de Asistență (*a se vedea Asistența*), verificați dacă nu este vorba de o problemă ușor de rezolvat:

Anomalii:

Cauze posibile / Rezolvare:

Mașina de spălat nu pornește.

- Ștecărul nu este introdus în priza de curent, sau nu face contact.
- Aveți o pană de curent la domiciliu.

Ciclul de spălare nu pornește.

- Ușa nu este bine închisă.
- Butonul ON/OFF nu a fost apăsată.
- Butonul START/PAUSE nu a fost apăsat.
- Robinetul de apă nu este deschis.
- A fost setată o întârziere față de ora pornirii.

Mașina de spălat nu încarcă apă (Pe display este vizualizat scris "H2O").

- Furtunul de alimentare cu apă nu este racordat la robinet.
- Furtunul este îndoit.
- Robinetul de apă nu este deschis.
- Apa la domiciliul dvs. este oprită.
- Apa nu are presiune suficientă.
- Butonul START/PAUSE nu a fost apăsat.

Mașina de spălat încarcă și descarcă apă încontinuu.

- Furtunul de golire nu a fost instalat la o înălțime cuprinsă între 65 și 100 cm de pământ (*a se vedea "Instalare"*).
- Capătul furtunului de evacuare este cufundat în apă (*a se vedea "Instalare"*).
- Evacuarea din perete nu are răsuflare pentru aer.

Dacă după aceste verificări problema nu se rezolvă, închideți robinetul de apă, stingeți mașina de spălat și chemați Asistența. Dacă locuința se află la ultimele etaje ale unui edificiu, este posibil să aibă loc fenomene de sifonare, motiv pentru care mașina de spălat încarcă și descarcă apă încontinuu. Pentru a elimina acest inconvenient, se găsesc în comerț supape anti-sifonare.

Mașina de spălat nu se golește sau nu stoarce.

- Programul nu prevede golirea apei: cu unele programe trebuie pornit manual.
- Furtunul de golire este îndoit (*a se vedea "Instalare"*).
- Conducta de descărcare este înfundată.

Mașina de spălat vibrează foarte mult în timpul stoarcerii.

- Cuva, în momentul instalării, nu a fost deblocată în mod corespunzător (*a se vedea "Instalare"*).
- Mașina de spălat este în pantă (*a se vedea "Instalare"*).
- Mașina de spălat este prea aproape de pereți și mobilier (*a se vedea "Instalare"*).

Mașina de spălat pierde apă.

- Furtunul de alimentare cu apă nu este bine înșurubat (*a se vedea "Instalare"*).
- Sertarul detergentilor este înfundat (pentru a-l curăța *a se vedea "Întreținere și curățare"*).
- Furtunul de golire nu este bine fixat (*a se vedea "Instalare"*).

Indicatoarele Opțiunilor și ale START/PAUSE luminează intermitent repede și display-ul afișează un cod de anomalie (ex.: F-01, F-..).

- Opriți mașina și scoateți ștecărul din priză; așteptați aprox. 1 minut înainte de a o reaprinde. Dacă nu obțineți nici un rezultat, apelați Centrul de Service pentru asistență.

Se formează prea multă spumă.

- Detergentul nu este compatibil cu mașina de spălat (trebuie să fie scris "pentru mașina de spălat", "de mână și în mașina de spălat", sau ceva asemănător).
- Dozajul a fost excesiv.

Asistență

RO

Înainte de a lua legătura cu Asistența:

- Verificați dacă puteți rezolva singuri problema (*a se vedea "Anomalii și remedii"*);
- Porniți din nou programul pentru a controla dacă inconvenientul a fost eliminat;
- În caz negativ, contactați un Centru de Asistență Tehnică.

! Nu apelați niciodată la persoane neautorizate.

Comunicați:

- tipul de anomalie;
- modelul mașinii (Mod.);
- numărul de serie (S/N).

Aceste informații sunt specificate pe plăcuța cu date tehnice, lipită în partea din spate a mașinii de spălat precum și în partea anterioară, după ce deschideți ușa.

Atenționări în conformitate cu legislația în vigoare

- Conform prevederilor legislației privind gestionarea deșeurilor, este interzisă eliminarea deșeurilor de echipamente electrice și electronice (DEEE) alături de deșeurile municipale nesortate. Ele trebuie predate la punctele municipale de colectare, societățile autorizate de colectare/reciclare sau distribuitori (în cazul în care se achiziționează echipamente noi de același tip).
- Autoritățile locale trebuie să asigure spațiile necesare pentru colectarea selectivă a deșeurilor precum și funcționalitatea acestora. Contactați societatea de salubritate sau compartimentul specializat din cadrul primăriei pentru informații detaliate.
- Deșeurile de echipamente electrice și electronice pot fi predate și distribuitorilor, la achiziționarea de echipamente noi de același tip (schimb 1 la 1).
- Predarea, de către utilizatori, a deșeurilor de echipamente electrice și electronice, la punctele de colectare municipale, societățile autorizate de colectare/reciclare sau distribuitori (în cazul în care se achiziționează echipamente noi de același tip) facilitează re folosirea, reciclarea sau alte forme de valorificare a acestora.
- Deșeurile de echipamente electrice și electronice pot conține substanțe periculoase care pot avea un impact negativ asupra mediului și sănătății umane în cazul în care DEEE nu sunt colectate selectiv și gestionate conform prevederilor legale.
- Simbolul alăturat (o pubela cu roți, barata cu două linii în forma de X), aplicat pe un echipament electric sau electronic, semnifică faptul că acesta face obiectul unei colectări separate și nu poate fi eliminat împreună cu deșeurile municipale nesortate.



UK

Українська

WMSF 602

Зміст

UK

Встановлення, 74-75

Розпакування й вирівнювання
Підключення води й електроенергії
Перший цикл прання
Технічні дані

Опис пральної машини, 76-77

Панель команд
Дисплей

Як здійснювати цикл прання, 78

Програми й опції, 79

Таблиця програм
Опції прання

Пральні засоби і білизна, 80

Касета з пральним засобом
Підготовка білизни
Спеціальні програми

Запобіжні заходи та поради, 81

Загальна безпека
Утилізація
Ручне відкривання дверцят люку

Технічне обслуговування та догляд, 82

Відключення води й електричного живлення
Очищення пральної машини
Чистка касети для миючих засобів
Догляд за люком та барабаном
Миття насосу
Контроль шланга для подачі води

Несправності та засоби їх усунення, 83

Допомога, 84

Встановлення

UK

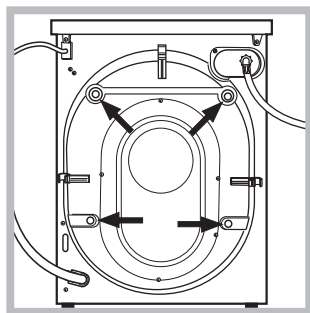
! Зберігайте дану брошуру, щоб мати нагоду звернутися до неї у будь-який момент. У раз продажу, передачі іншій особі або переїзду переконайтеся в тому, що інструкція перебуває разом із пральною машиною й новий власник може ознайомитися з її принципами роботи й відповідними запобіжними заходами.

! Уважно вивчіть інструкцію: в ній міститься важлива інформація щодо встановлення, використання та безпеки.

Розпакування й вирівнювання

Розпакування

1. Розпакування пральної машини
2. Вдоскональтеся, що машина не зазнала ушкоджень під час транспортування. Якщо такі є, не виконуйте ніяких підключень та негайно зверніться до постачальника.



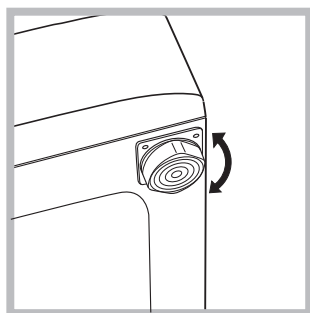
3. Видаліть 4 запобіжні гвинти для транспортування та гумову прокладку з відповідною розпірною деталлю, які знаходяться позаду (див. малюнок).

4. Закрийте отвори пластмасовими пробками з комплекту постачання.
5. Зберігайте всі компоненти: у разі транспортування пральної машини їх потрібно повернути на місце.

! Забороняйте дітям гратися з упаковками.

Вирівнювання

1. Встановіть пральну машину на плоскій та твердій підлозі, не притуляючи її до стін, меблів, тощо.

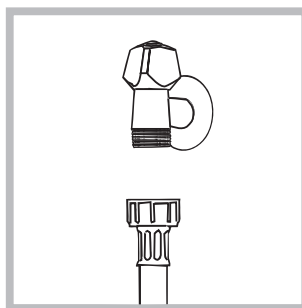


2. Якщо підлога не є ідеально горизонтальною, компенсуйте нерівності за допомогою передніх ніжок (див. малюнок) – розкручуючи чи закручуючи їх; кут нахилу відносно робочої поверхні не повинен перевищувати 2°.

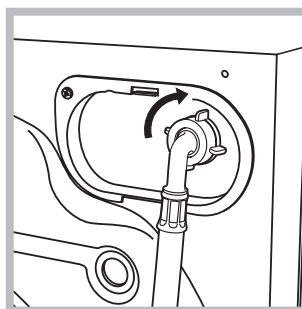
Належне вирівнювання забезпечить стабільність машині та запобіжить вібраціям, шуму та пересуванням під час роботи. У випадку встановлення машини на килимовому покритті або килимах, ніжки необхідно відрегулювати таким чином, щоб гарантувати під пральною машиною необхідний простір для вентиляції.

Підключення води й електроенергії

Під'єднання труби для подачі води



1. Підключити трубу подачі, прикрутивши її до крану холодної води за допомогою штуцера з газовою різьбою 3/4 (див. схему). Перед підключенням зливайте воду, доки вона не стане прозорою.



2. Підключіть трубу подачі води до пральної машини, під'єднавши його до водорозбірного крану, який знаходиться угорі праворуч на задньому боці машини (див. малюнок).

3. Зверніть увагу, щоб труба не мала згинів та утисків.

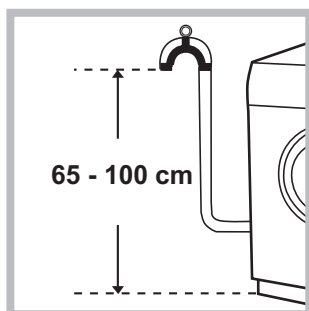
! Тиск води в крані має відповідати значенням у таблиці Технічних даних (див. сторінку поруч).

! Якщо довжини труби для води не вистачає, зверніться у спеціалізовану крамницю або до уповноваженого фахівця.

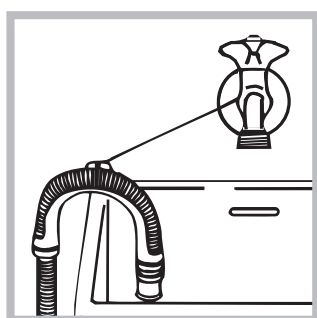
! Не користуйтеся трубами, які були вже у вживанні.

! Використовуйте труби з комплекту постачання.

Під'єднання шлангу злива води



Під'єдняйте зливний шланг, не згинаючи його, до каналізації або до зливного отвору у стіні на висоті від 65 до 100 см від підлоги.



Або покладіть його на край вмивальника або ванни; прив'язавши направляючу з комплекту постачання докрана (див. малюнок). Не залишайте вільний кінець зливного шланга зануреним у воду.

! Використання подовжувача шланга не рекомендоване. При використанні подовжувача шланга (якщо це дійсно є необхідним), переконайтеся у тому, що він має той самий діаметр та його довжина не перевищує 150 см.

Електричні підключення

Перш ніж увімкнути вилку в електричну розетку, переконайтеся в тому, що:

- розетка має заземлення у відповідності до встановлених норм;
- розетка розрахована на максимальне навантаження у межах потужності машини, зазначене у таблиці Технічних даних (див. малюнок поруч);
- напруга живлення перебуває у межах, зазначених у таблиці Технічних даних (див. малюнок поруч);
- розетка підходить до вилки пральної машини. В іншому випадку замініть розетку або вилку.

! Машину не можна встановлювати поза приміщенням, навіть в захищених місцях, тому що дуже небезпечно піддавати її впливу дощу і грози.

! Коли машину вже встановлено, забезпечте вільний доступ до електричної розетки.

! Не використовуйте подовжувачі й трійники.

! Шнур не повинен мати згинів або утисків.

! Заміна шнура живлення має виконуватися тільки повноваженими фахівцями.

Увага! Підприємство знімає з себе відповідальність у разі недотримання вказаних правил.

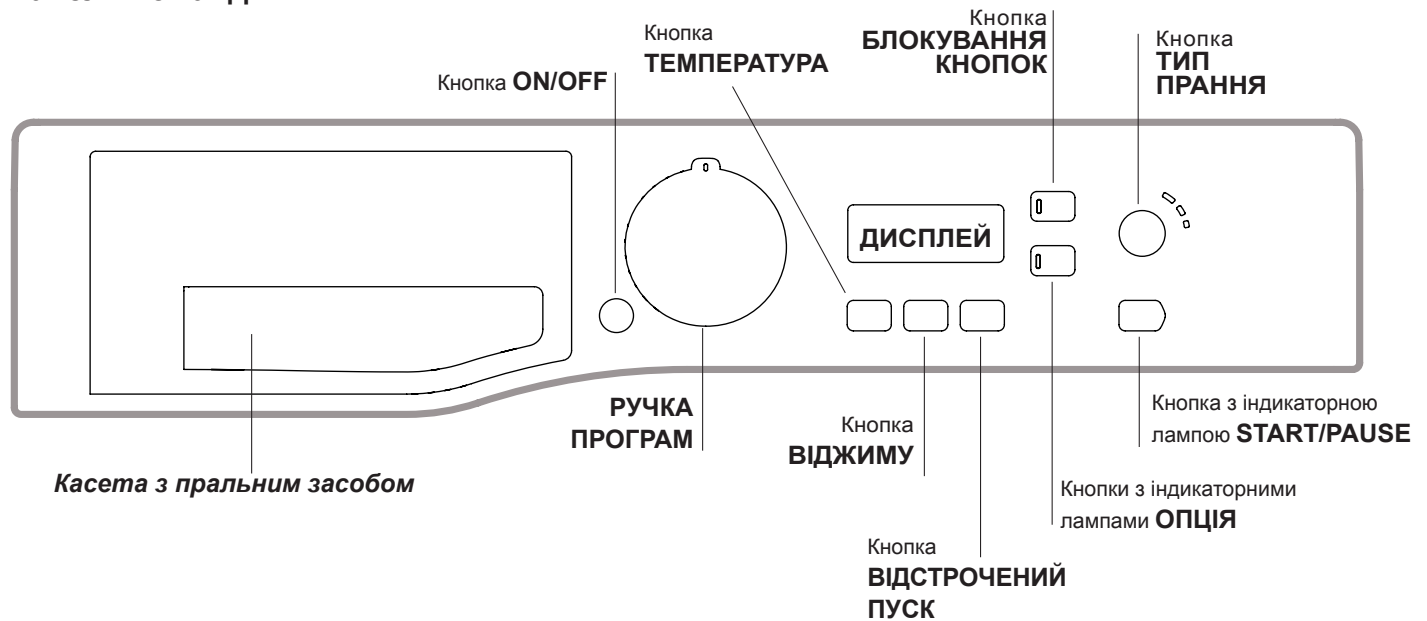
Перший цикл прання

Після встановлення, перш ніж розпочати використання машини, виконайте цикл прання з пральним засобом, але не завантажуючи білизну, встановивши програму «Самоочищення».


Технічні дані	
Модель	WMSF 602
Розміри	ширина 59,5 см висота 85 см глибина 43,5 см
Кількість білизни	від 1 до 6 кг
Електричні підключення	див. шильдік з технічними даними на машині
Водопровідні підключення	максимальний тиск 1 мПа (10 бар) мінімальний тиск 0,05 мПа (0,5 бар) об'єм баку – 48 літри
Швидкість центрифуги	до 1000 обертів на хвилину
Програми контролю згідно з нормою EN 60456	програма ; температура 60°C; виконується з завантаженням 6 кг.
	Цей прилад відповідає таким європейським директивам: - 2004/108/CE (Електромагнітна сумісність) - 2002/96/CE - 2006/95/CE (Низька напруга)

Опис пральної машини

Панель команд




Касета з пральним засобом: для завантаження пральних засобів та присадок (див. "Пральні засоби та білизна").


Кнопка ON/OFF : швидко натисніть і відпустіть кнопку для увімкнення або вимикання машини. Індикаторна лампа START/PAUSE блимає зеленим світлом з повільними інтервалами, вказуючи на те, що машину ввімкнено. Для вимикання пральної машини під час прання необхідно утримувати кнопку натиснутою приблизно більш ніж 3 сек.; короточасне або випадкове натискання не дозволить вимкнути машину. Вимикання машини під час циклу прання відмінює це прання.


РУЧКА ПРОГРАМ: для задання бажаної програми (див. "Таблиця програм").

Кнопки з індикаторними лампами ОПЦІЯ: для вибору наявних опцій. Індикаторна лампа опції залишається увімкненою.



Кнопка ТИП ПРАННЯ : натиснути для вибору бажаної інтенсивності прання.

Кнопка ТЕМПЕРАТУРА : натискання викликає зменшення або виключення температури взагалі; значення відображується на дисплеї.

Кнопка ВІДЖИМУ : натискання викликає зменшення або виключення віджиму взагалі; значення відображується на дисплеї.

Кнопка ВІДСТРОЧЕНИЙ ПУСК : натискання викликає відкладення пуску обраної програми; значення затримки відображується на дисплеї.

Кнопка з індикаторною лампою START/PAUSE: коли зелена індикаторна лампа блимає з повільними інтервалами, натисніть на кнопку для запуску прання. Якщо цикл розпочався, індикаторна лампа горить постійно. Щоб увійти в режим паузи під час прання, знову натисніть на кнопку; індикаторна лампа почне горіти померанцевим кольором. Якщо позначка  не світиться, ви можете відкрити люк. Щоб продовжити прання з місця, де воно було перерване, знову натисніть на кнопку.

Кнопка БЛОКУВАННЯ КНОПОК : щоб активувати блокування панелі управління натисніть та утримуйте кнопку впродовж 2 секунд. Ввімкнена  позначка показує, що панель управління заблоковано. У цей спосіб перешкоджають випадковій зміні програм, передусім, якщо у домі є діти (за винятком кнопки ON/OFF). Для відключення блокування панелі управління натисніть та утримуйте кнопку впродовж 2 секунд.

Режим очікування

Відповідно до норм, пов'язаних з заощадження енергії, цю пральну машину оснащено системою автовимкнення (stand by), яка активується через декілька (30) секунд відсутності роботи з боку машини. Швидко натисніть кнопку ON/OFF та зачекайте відновлення роботи машини.



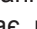
Дисплей є зручним для програмування машини; він надає різноманітну інформацію.

Відображається тривалість різних програм, та при розпочатому циклі – час до його завершення; якщо встановлено **ВІДСТРОЧЕНИЙ ПУСК**, відображується час, якого бракує до початку вибраної програми.

Крім того, при натисканні на відповідну кнопку з'являються максимальні значення швидкості центрифуги (віджиму) та температури, з якими машина може виконувати задану програму. Або з'являються останні задані значення, сумісні з обраною програмою.

Індикаторна лампа **ЛЮК ЗАБЛОКОВАНО**




Якщо індикаторна лампа світиться, це означає, що люк заблоковано. З метою запобігання ушкодженням, перш ніж відкрити люк, вдоскональтеся, що індикаторна лампа не горить.


Щоб відкрити дверцята люку під час виконання циклу натисніть на кнопку **START/PAUSE**; якщо індикаторна лампа **ЛЮК ЗАБЛОКОВАНО**  згасне, це означає, що люк можна відкрити.

Як здійснювати цикл прання


UK

- 1. УВІМКНУТИ МАШИНУ.** Натисніть на кнопку ; індикаторна лампа START/PAUSE блиматиме зеленим світлом з повільними інтервалами.
- 2. ЗАВАНТАЖИТИ БІЛИЗНУ.** Відкрити люк.
Завантажити білизну, намагаючись не перевищити кількість білизни, зазначену в таблиці програм на наступній сторінці.
- 3. ВІДМІРЯТИ ПРАЛЬНИЙ ЗАСІБ.** Витягнути касету і додати пральний засіб у відповідні ванночки, як вказано в розділі “Пральні засоби і білизна”.
- 4. ЗАКРИТИ ЛЮК.**
- 5. ВИБРАТИ ПРОГРАМУ.** Вибрати за допомогою ручки ПРОГРАМ бажану програму; кожна програма має параметри температури та швидкості віджиму (центрифуги), які можна налаштувати. На дисплеї з'явиться тривалість циклу.
- 6. НАЛАШТУВАТИ ЦИКЛ ПРАННЯ ПІД ВЛАСНІ ПОТРЕБИ.** Це здійснюється за допомогою відповідних кнопок:



  **Змінити температуру і/або швидкість віджиму.** На дисплеї автоматично відображується максимальна температура і швидкість центрифуги, передбачені для заданої програми. Або останні задані параметри, якщо вони є сумісними з вибраною програмою. Натисканням на кнопку  отримується поступове зменшення температури аж до холодного прання “OFF”. Натисканням на кнопку  отримується поступове зменшення швидкості віджиму аж до його виключення взагалі “OFF”. Наступне натискання на кнопки призводить до повернення до максимальних значень.


! Виключення: при виборі програми , температура може збільшитися до 90 градусів.

 **Задати відстрочений пуск.**

Для встановлення відстроченого пуску обраної програми натискати на відповідну кнопку, доки не з'явиться необхідний час відстрочення. При увімкненій опції на дисплеї горить індикаторна лампа . Щоб скасувати відстрочений пуск, натискати на кнопку до появи на дисплеї напису “OFF”.

Як задати бажану інтенсивність прання.

За допомогою кнопки  можна оптимізувати прання залежно від ступеню забруднення речей і від бажаної інтенсивності прання. Виберіть програму прання, автоматично задається цикл “Normal” прання, який передбачає прання речей з середнім ступенем забруднення (цей параметр не буде дійсним для циклу «Вовна», під час якого автоматично задається “Delicate” прання). Для дуже забруднених речей слід натиснути кнопку  і вибрати “Intensive”.




На цьому рівні гарантується високоєфективне прання завдяки використанню більшої кількості води на початку циклу і значнішої механічної роботи; рекомендується для видалення стійких плям. Може використовуватися з вибілювачем або без. Щоб відбілити речі, вставте додаткову ванночку 4 з комплекту постачання у ванночку 1. Під час дозування вибілювача не перевищуйте максимальний рівень «тах» на центральному стрижні (див. малюнок на стор. 80). Якщо речі не дуже забруднені або потребується делікатне поводження з тканинами, натисніть на кнопку , щоб обрати “Delicate”. У цьому циклі механічна робота зменшується, щоб гарантувати оптимальні результати прання для делікатних речей.


Змінити характеристики циклу.

- Натиснути на кнопку для увімкнення опції; при цьому спалахне відповідна індикаторна лампа.
- Натиснути знову на кнопку, щоб скасувати вибір; індикаторна лампа згасне.

! Якщо вибрана опція несумісна з заданою програмою, індикаторна лампа почне блимати й вибір не буде активований.

! Опції можуть змінювати рекомендоване завантаження та/або тривалість циклу.

- 7. ЗАПУСТИТИ ПРОГРАМУ.** Натиснути на кнопку START/PAUSE. Відповідна індикаторна лампа засвітиться зеленим світлом, при цьому люк буде заблоковано (світлитиметься індикаторна лампа ЛЮК ЗАБЛОКОВАНО ). Для зміни програми під час виконання циклу призупиніть машину, натиснувши на кнопку START/PAUSE (індикаторна лампа START/PAUSE блиматиме янтарним світлом з повільними інтервалами); виберіть бажаний цикл та знову натисніть на кнопку START/PAUSE. Щоб відкрити дверцята люку під час виконання циклу, натисніть на кнопку START/PAUSE; якщо індикаторна лампа ЛЮК ЗАБЛОКОВАНО  згасне, це означає, що люк можна відкрити. Знову натисніть на кнопку START/PAUSE, щоб продовжити програму з того місця, де її було перервано.
- 8. ЗАВЕРШЕННЯ ПРОГРАМИ.** На це вказує напис “END” на дисплеї; коли згасне індикаторна лампа ЛЮК ЗАБЛОКОВАНО , люк можна відкрити. Відкрити люк, витягнути білизну й вимкнути машину.

! Якщо необхідно анулювати вже розпочатий цикл, утримуйте кнопку  натиснутою відносно тривалий час. Цикл буде перерваний, і машина вимкнеться.

Програми й опції

UK

Таблиця програм

програми	Опис програми	Макс. темп. (°C)	Макс. швидкість (обертів за хвилину)	Пральні засоби та додаткові засоби				Макс. завантаження (кг)	Тривалість циклу
				Попереднє прання	Прання	Відбілювач	Пом'якшувач		
1	Антикорозійний	40°	1000	●	●	-	●	4	Тривалість програм відображається на дисплеї.
2	Білі речі	60°	1000	●	●	-	●	4	
	Бавовна (1): дуже забруднені стійкі білі та кольорові тканини.	60° (Max. 90°)	1000	●(3)	●	●	●	6	
	Бавовна (2): Злегка забруднені делікатні білі та кольорові тканини.	40°	1000	-	●	●	●	6	
5	Синтетичні: дуже забруднені кольорові стійкі тканини	60°	800	●	●	●	●	3.5	
5	Синтетичні (4): Злегка забруднені кольорові делікатні тканини	40°	800	●	●	●	●	3.5	
6	Протиалергічне прання	60°	1000	-	●	●	●	4	
7	Дитина	40°	1000	●	●	●	●	4	
8	Шовк/Порт'єри: для речей з шовку, віскози, для нижньої білизни.	40°	800	-	●	-	●	1.5	
9	Делікатне	30°	0	-	●	-	●	1	
10	Міх 60': Для швидкого освіження злегка забруднених речей (не рекомендоване для вовняних, шовкових речей або речей для ручного прання)	60°	1000	-	●	-	●	3.5	
11	Бавовна: Злегка забруднені делікатні білі та кольорові тканини.	20°	1000	-	●	●	●	6	
12	Бавовна	холодна вода	1000	-	●	-	●	6	
13	Синтетичні	холодна вода	800	-	●	-	●	3	
14	Швидке прання 30'	холодна вода	800	-	●	-	●	3	
	Ополіскування	-	1000	-	-	-	●	6	
	Віджим + Злив	-	1000	-	-	-	-	6	

Тривалість циклу, вказана на дисплеї або в керівництві, розрахована на основі стандартних умов роботи. Фактичний час може залежати від чисельних факторів, таких як температура і тиск подаваної води, температура у приміщенні, кількість миючого засобу, кількість і тип завантаженої білизни, зрівноваження завантаженої білизни, додаткові обрані опції.

- 1) Програма керування згідно до норми EN 60456: встановити програму з температурою 60°C.
- 2) Довга програма бавовна: встановити програму з температурою 40°C.
- 3) При температурі 60 °C функцію "Попереднє прання" не можна буде активувати.
- 4) Програма тривалого прання синтетичних речей: встановити програму 5 з температурою 40°C.

Опції прання

Попереднє прання

Вибір цієї функції вмикає попереднє прання, яке є корисним для видалення стійких плям.

Увага: Додайте м'якущий засіб у відповідне відділення.

! Не активується у програмах (60°), , 6, 8, 9, 10, 11, 12, 13, 14, , .

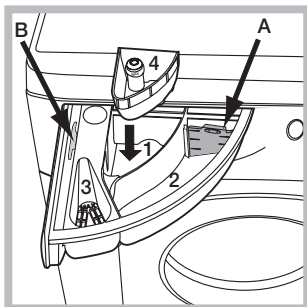
Пральні засоби і білизна

UK

Касета з пральним засобом

Добрий результат прання залежить також від правильного дозування прального засобу: надлишок прального засобу приведе до неефективного прання та сприятиме утворенню накипу всередині пральної машини, а також забрудненню довіклля.

! Не використовуйте засоби для ручного прання, тому що вони утворюють надто багато піни.



Витягніть касету для пральних засобів та додайте пральні засоби або засоби з догляду, як вказано нижче.

ванночка 1: Засіб для попереднього прання (порошковий)

Перш ніж додати пральний засіб, перевірте, щоб не була вставлена додаткова ванночка 4.

ванночка 2: Засіб для прання (порошковий чи рідкий)

Якщо використовується рідкий пральний засіб, рекомендується застосовувати вимірювальний компонент **A** з комплекту постачання для правильного дозування. При використанні порошкового прального засобу вставте цей компонент у нішу **B**.

ванночка 3: Засоби з догляду (пом'якшувач, тощо)

Пом'якшувач не має витікати з решітки.

додаткова ванночка 4: Відбілювач

Підготовка білизни

- Розділіть білизну, враховуючи: тип тканини / позначку на етикетці. кольори: відокремте кольорові речі від білих.
- Перевірте кишені й гудзики.
- Не перевищуйте вказані значення щодо ваги сухої білизни: (див. "Таблиця програм").

Скільки важить білизна?

- 1 простирадло 400-500 г
- 1 наволочка 150-200 г
- 1 скатертина 400-500 г
- 1 махровий халат 900-1200 г
- 1 рушник 150-250 г

Особливі речі

Антикорозійний: Програма 1 призначена для прання дуже забруднених речей зі стійким фарбуванням. Програма гарантує вищий у порівнянні зі стандартним клас прання (клас A). Не застосовуйте у цій програмі речі різних кольорів. Рекомендується використання

миючих засобів у порошку. Стійкі плями краще обробити попередньо спеціальними засобами.

Білі речі: цей цикл 2 використовується для прання білих речей. Завдяки цій програмі забезпечується тривале зберігання сяючого білого кольору.

Кращі результати отримуються при використанні порошкового миючого засобу.

Протиалергійне прання: використовуйте програму 6 для видалення основних алергенів, таких як пилок, кліщі, котяча і собача шерсть.

Дитина: використовуйте спеціальну програму 7 для видалення забруднень, типових для дітей, а також для видалення прального засобу з речей з метою запобігання алергічним реакціям тендітної шкіри малюків. Цикл розраховано для зменшення бактеріологічного потенціалу, за допомогою більшої кількості води та оптимізуючи ефект спеціальних гігієнізуючих присадок у миючому засобі.

Вовна: Цикл прання "Вовна" цієї пральної машини Hotpoint-Ariston протестований і затверджений компанією Woolmark у відношенні до прання вовняних речей, класифікованих як для "ручного прання", за умови виконання прання згідно до інструкцій, наведених на етикетці виробу, і вказівок виробника електропобутового приладу. Hotpoint-Ariston - перша марка пральних машин, яка отримала від компанії Woolmark сертифікацію Woolmark Apparel Care - Platinum за власні показники прання і витрати води й електроенергії.



Делікатне: використовуйте програму 9 для прання дуже делікатних речей, наприклад, зі стразами або іншими оздобленнями.

Для прання **шовкових** речей або **порт'єр** оберіть 9 "Delicate" прання в опції .

Перш ніж запускати прання, рекомендується вивернути речі навиворіт і вкласти дрібні речі в спеціальний мішечок для прання делікатних речей. Кращі результати досягаються при використанні рідкого прального засобу для делікатних речей.

Програми Есо

Програми Есо пропонують добру якість прання при низьких температурах із заощадженням електричної енергії, що позитивно впливає на довкілля і забезпечує економічну вигоду користувачеві.

Програми Есо (Бавовна 12, Синтетичні 13 і Швидке прання 30' 14) призначені для різних типів тканин і для речей з легкими забрудненнями. Для гарантованого оптимального результату рекомендується використовувати рідкий пральний засіб; краще зробити попередню обробку манжетів, коміру і плям.

Бавовна 20° ідеальна для бавовняних забруднених речей. Добре прання, в тому числі у холодній воді, яке можна порівняти з пранням при 40°, гарантується механічною роботою, яка здійснюється на змінній швидкості із частими повторюваними піками.

Запобіжні заходи та поради

UK

! Машину була спроектовано і вироблено у відповідності з міжнародними нормами безпеки. Дані попередження складені для забезпечення безпеки і тому їх треба уважно прочитати.

Загальна безпека

- Дане обладнання було розроблене виключно для побутового використання.
- Цей апарат не має використовуватися дітьми або особами з обмеженими фізичними, сенсорними чи розумовими можливостями, або якщо їм бракує досвіду та необхідних знань. Винятки складають ситуації, коли користування відбувається під наглядом або за вказівками осіб, відповідальних за їхню безпеку. Дорослі мають стежити, щоб діти не гралися з апаратом.
- Машина має використовуватися тільки повнолітніми особами і згідно з інструкціями, наведеними у даній брошурі.
- Не торкайтеся до машини голими ногами або мокрими чи вологими руками й ногами.
- Не виймайте штепсель з електричної розетки, витягуючи його за провід, тримайтеся тільки за самий штепсель.
- Не відкривайте касету з миючими засобами під час роботи машини.
- Будьте обережні: вода, що зливається, може мати високу температуру.
- У жодному випадку не застосовуйте силу до люку: це може ушкодити запобіжний механізм проти випадкових відкривань.
- Якщо машина не працює у разі поломки, у жодному випадку не намагайтеся дістатися внутрішніх механізмів з метою самостійного ремонту.
- Слідкуйте, щоб діти не наближались до працюючої машини.
- Під час прання люк нагріватиметься.
- Пересування машини має здійснюватися двома або трьома особами за умови максимальної уваги. Ні в якому разі - однією особою, тому що машина дуже важка.
- Перш ніж завантажити білизну, перевірте, щоб барабан був порожній.

Система балансування завантаження

Перед кожним віджимом, для запобігання надмірній вібрації та для рівномірного розподілу навантаження, барабан здійснює оберти на дещо більшій швидкості, ніж швидкість прання. Якщо по закінченні декількох спроб завантажені речі ще не були правильно відбалансовані, машина здійснює віджим на швидкості, нижчій від передбаченої. У випадку надмірної незбалансованості пральна машина здійснює розподіл замість віджиму. З метою оптимального розподілу завантаження та його правильного балансування рекомендується одночасне прання великих і малих речей.

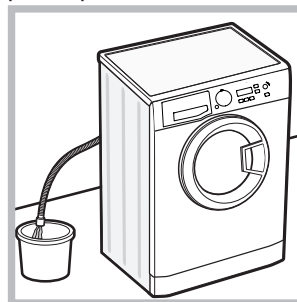
Утилізація

- Утилізація пакувального матеріалу: додержуйтесь місцевих норм, так як пакування може бути використане повторно.
- Європейська директива 2002/96/CE з відходів від електричної й електронної апаратури передбачає, що побутові електроприлади не

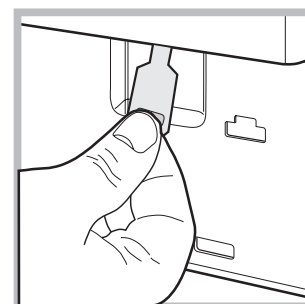
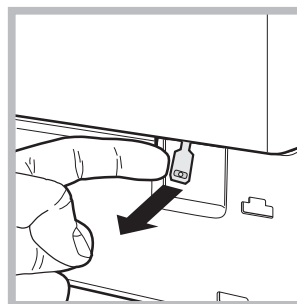
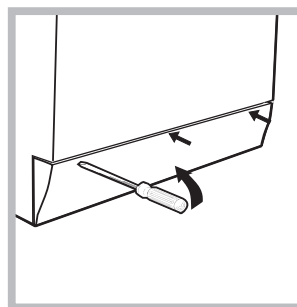
можуть перероблятися у звичайному порядку для твердих міських відходів. Зняті з експлуатації побутові прилади мають бути зібрані окремо для оптимізації ступеню відновлення й рециркулювання матеріалів, що входять до їхнього складу, і з метою усунення потенційної шкоди для здоров'я та навколишнього середовища. Символ закресленої корзини, зображений на всіх виробках, нагадує про необхідність окремої утилізації. Для подальшої інформації про правильне зняття з експлуатації побутових електроприладів, їхні власники можуть звернутися у відповідну муніципальну службу або до продавця приладу.

Ручне відкривання дверцят люку

У випадку, якщо неможливо відкрити дверцята люку із-за відсутності електроенергії і ви хотіли б розвісити речі, треба діяти таким чином:



1. витягніть штепсель з електричної розетки.
2. перевірте, щоб рівень води усередині машини був нижчим за рівень отвору люку; якщо це не так, злийте надлишок води через зливний шланг, збираючи її у відрі, як показано на малюнку.
3. зніміть декоративну панель на лицевому боці пральної машини (за допомогою викрутки (див. малюнок).



4. За допомогою вказаного на малюнку язичка тягніть пластмасову тягу з упору назовні, аж доки її не буде звільнено; потім протягніть її донизу, одночасно відкриваючи дверцята.
5. встановіть панель на місце, пересвідчіться у тому, що крюки були вставлені у спеціальні петлі, після чого притисніть її до машини.

Технічне обслуговування та догляд

УК

Відключення води й електричного живлення

- Закривайте водопровідний кран після кожного прання. У такий спосіб зменшується знос гідравлічної частини машини й усувається небезпека витоку.
- Виймайте штепсель з розетки під час миття машини та під час робіт з технічного обслуговування.

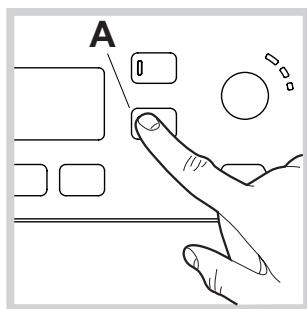
Очищення пральної машини

- Зовнішня частина і гумові деталі можуть бути вимиті тканиною, змоченою у теплій воді й милі. Не використовуйте розчинники або абразиви.
- Пральна машина оснащена програмою «Самоочищення» внутрішніх частин, яку слід запускати **без будь-яких речей всередині барабану**.

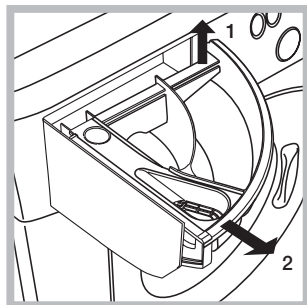
Пральний засіб (його кількість має складати 10% від рекомендованої для злегка забруднених речей) або спеціальні засоби для очищення пральної машини можна використовувати як допоміжні у програмі прання. Рекомендується виконувати програму очищення через кожні 40 циклів прання.

Для пуску програми слід натиснути на кнопку **A** впродовж 5 сек. (див. малюнок).

Програма запускається автоматично і триває приблизно 70 хвилин. Для припинення циклу натисніть на кнопку START/PAUSE.



Чистка касети для миючих засобів



Вийміть касету, піднявши її та витягнувши назовні (див. малюнок).

Промийте під проточною водою; ця процедура має проводитися регулярно.

Догляд за люком та барабаном

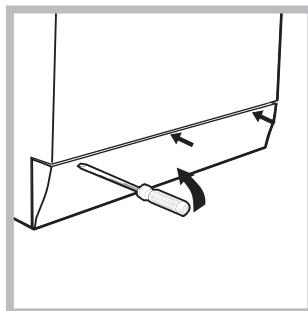
- Завжди залишайте відкритими дверцята люку, тоді не утворюватимуться неприємні запахи.

Миття насосу

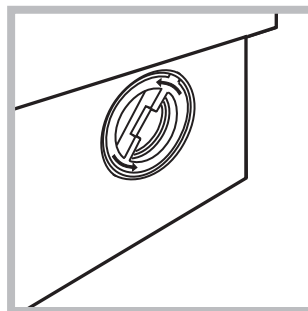
Пральну машину обладнано насосом з автоматичною чисткою, який не вимагає технічного обслуговування. Може трапитися так, що малі предмети (монети, гудзики) потраплять до форкамери, що захищає насос, розташований у її нижній частині.

! Переконайтеся у тому, що цикл прання закінчено, і витягніть штепсель з розетки.

Щоб потрапити до форкамери:



1. зніміть декоративну панель на лицевому боці пральної машини за допомогою викрутки (див. малюнок);



2. відкрутіть кришку, обертаючи її проти годинникової стрілки (див. малюнок): виток незначної кількості води є нормальним;

3. акуратно очистіть внутрішню частину;
4. накрутіть кришку;
5. встановіть панель на місце, пересвідчіться у тому, що крюки були вставлені у спеціальні петлі, після чого притисніть її до машини.

Контроль шланга для подачі води

Перевіряйте шланг для подачі води не менше одного разу на рік. Якщо на ньому є тріщини, він підлягає заміні: під час прання високий тиск може призвести до розірвання.

! Не користуйтеся шлангами, які були вже у вживанні.

Несправності та засоби їх усунення

Може трапитися так, що пральна машина не працюватиме. Перш ніж зателефонувати у Сервісний центр (див. "Допомога"), перевірте, чи не є дана несправність проблемою, що легко вирішується за допомогою наведеного нижче списку.

Несправності:

Пральна машина не вмикається.

Можливі причини/Рішення:

- Вилка не вставлена в електричну розетку або вставлена не до кінця.
- У будинку немає електроенергії.

Цикл прання не розпочинається.

- Люк погано закрито.
- Кнопку ON/OFF не було натиснуто.
- Кнопку START/PAUSE не було натиснуто.
- Водопровідний кран закритий.
- Якщо відстрочення задане на час пуску.

Пральна машина не завантажує воду (на дисплеї розпочинає блимати напис "H2O").

- Шланг подачі води не під'єднано до водопровідного крану.
- Перегин у шлангу.
- Водопровідний кран закритий.
- У водопроводі немає води.
- Недостатній тиск.
- Кнопку START/PAUSE не було натиснуто.

Машина безперервно завантажує і зливає воду.

- Зливний шланг не знаходиться на відстані від 65 до 100 см від підлоги (див. "Встановлення").
- Кінець зливного шланга занурений у воду (див. "Встановлення").
- Стінний каналізаційний злив не має віддушини для виходу повітря. Якщо після таких перевірок проблема залишається, закрийте водопровідний кран, вимкніть машину і зателефонуйте у Сервісний центр. Якщо квартира знаходиться на верхніх поверхах будинку, можливо, відбувається сифонний ефект, при якому машина безперервно завантажує й зливає воду. Щоб його ліквідувати, існують спеціальні антисифонні клапани, які можна придбати у торговельній мережі.

Пральна машина не зливає воду чи не віджимає.

- Програма не передбачає зливання: в деяких програмах його необхідно робити вручну.
- Перегин зливного шланга (див. "Встановлення").
- Засмітився зливний шланг.

Пральна машина дуже вібрує під час віджиму.

- Барабан, у момент встановлення, не був правильно розблокований (див. "Встановлення").
- Машина стоїть не на плоскій поверхні (див. "Встановлення").
- Машину затиснуто між меблями і стіною (див. "Встановлення").

Пральна машина пропускає воду.

- Погано пригвинчений шланг подачі води (див. "Встановлення").
- Забруднена касета для пральних засобів (очищення касетидив. "Технічне обслуговування і догляд").
- Погано закріплений зливний шланг (див. "Встановлення").

Індикаторні лампи "Опцій" та "START/PAUSE" блимають, та на дисплеї виводиться код несправності (напр.: F-01, F-..).

- Вимкніть машину й витягніть вилку з розетки, зачекайте близько 1 хвилини й увімкніть її знову. Якщо несправність не усунено, зателефонуйте у Сервісний центр.

Утворюється занадто багато піни.

- Пральний засіб не підходить для пральної машини (має бути напис "для машинного прання", "для ручного й машинного прання", або подібний).
- Перевищена доза прального засобу.

Перш ніж зателефонувати у Сервісний центр:

- Перевірте, чи можна самостійно вирішити проблему (див. *“Несправності і засоби їх усунення”*);
- Запустіть програму повторно, щоб перевірити чи усунено несправність;
- Якщо несправність не усунено, зверніться до Сервісного центру.

! Звертайтеся виключно до уповноважених фахівців.

Слід повідомити:

- тип несправності;
- модель машини (Мод.);
- серійний номер (С/Н);

Цю інформацію ви знайдете на заводській табличці позаду пральної машини та в її передній частині, якщо ви відкриєте люк.