

Instructions for use

WASHING MACHINE

GB

Contents

GB

English,1

CZ

Česky,13

SK

Slovensky,25

RO

Română,37

FMSGN 623

Installation, 2-3

Unpacking and levelling
Connecting the electricity and water supplies
The first wash cycle
Technical data

Care and maintenance, 4

Cutting off the water and electricity supplies
Cleaning the washing machine
Cleaning the detergent dispenser drawer
Caring for the door and drum of your appliance
Cleaning the pump
Checking the water inlet hose

Precautions and tips, 5

General safety
Disposal
Opening the porthole door manually

Description of the washing machine, 6-7

Control panel
Display

Running a wash cycle, 8

Wash cycles and options, 9

Table of programmes and wash cycles
Wash options

Detergents and laundry, 10

Detergent dispenser drawer
Preparing the laundry
Special wash cycles
Load balancing system

Troubleshooting, 11

Service, 12

 **Hotpoint**

ARISTON

Installation

GB

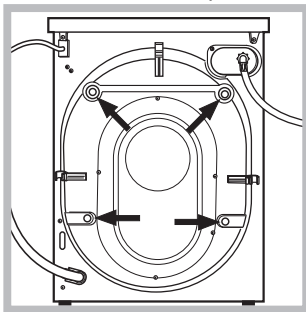
! This instruction manual should be kept in a safe place for future reference. If the washing machine is sold, transferred or moved, make sure that the instruction manual remains with the machine so that the new owner is able to familiarise himself/herself with its operation and features.

! Read these instructions carefully: they contain vital information relating to the safe installation and operation of the appliance.

Unpacking and levelling

Unpacking

1. Remove the washing machine from its packaging.
2. Make sure that the washing machine has not been damaged during the transportation process. If it has been damaged, contact the retailer and do not proceed any further with the installation process.

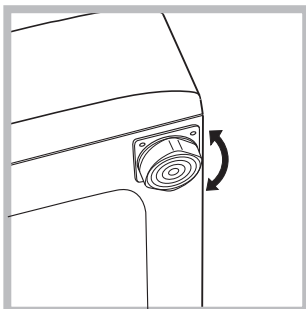


3. Remove the 4 protective screws (used during transportation) and the rubber washer with the corresponding spacer, located on the rear part of the appliance (see figure).

4. Close off the holes using the plastic plugs provided.
 5. Keep all the parts in a safe place: you will need them again if the washing machine needs to be moved to another location.
- ! Packaging materials should not be used as toys for children.

Levelling

1. Install the washing machine on a flat sturdy floor, without resting it up against walls, furniture cabinets or anything else.



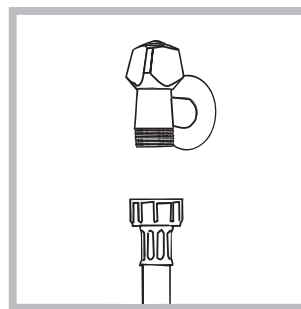
2. If the floor is not perfectly level, compensate for any unevenness by tightening or loosening the adjustable front feet (see figure); the angle of inclination, measured in relation to the worktop, must

not exceed 2°.

Levelling the machine correctly will provide it with stability, help to avoid vibrations and excessive noise and prevent it from shifting while it is operating. If it is placed on carpet or a rug, adjust the feet in such a way as to allow a sufficient ventilation space underneath the washing machine.

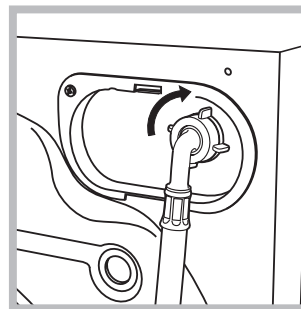
Connecting the electricity and water supplies

Connecting the water inlet hose



1. Connect the inlet hose by screwing it to a cold water tap using a 3/4 gas threaded connection (see figure).

Before performing the connection, allow the water to run freely until it is perfectly clear.



2. Connect the inlet hose to the washing machine by screwing it onto the corresponding water inlet of the appliance, which is situated on the top right-hand side of the rear part of the appliance (see figure).

figure).

3. Make sure that the hose is not folded over or bent.

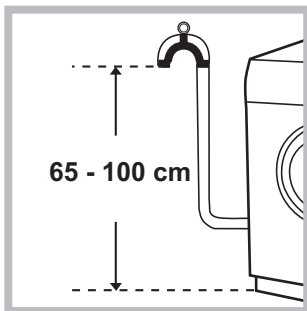
! The water pressure at the tap must fall within the range of values indicated in the Technical data table (see next page).

! If the inlet hose is not long enough, contact a specialised shop or an authorised technician.

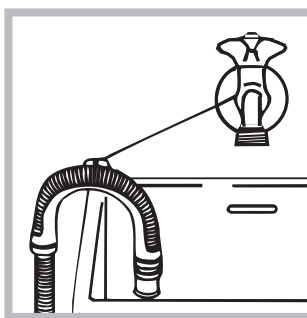
! Never use second-hand hoses.

! Use the ones supplied with the machine.

Connecting the drain hose



Connect the drain hose, without bending it, to a drain duct or a wall drain situated between 65 and 100 cm from the floor;



alternatively, placed it over the edge of a basin, sink or tub, fastening the duct supplied to the tap (see figure). The free end of the hose should not be underwater.

! We advise against the use of hose extensions; if it is absolutely necessary, the extension must have the same diameter as the original hose and must not exceed 150 cm in length.

Electrical connections

Before plugging the appliance into the electricity socket, make sure that:

- the socket is earthed and complies with all applicable laws;
- the socket is able to withstand the maximum power load of the appliance as indicated in the Technical data table (see opposite);
- the power supply voltage falls within the values indicated in the Technical data table (see opposite);
- the socket is compatible with the plug of the washing machine. If this is not the case, replace the socket or the plug.

! The washing machine must not be installed outdoors, even in covered areas. It is extremely dangerous to leave the appliance exposed to rain, storms and other weather conditions.

! When the washing machine has been installed, the electricity socket must remain within easy reach.

! Do not use extension cords or multiple sockets.

! The cable should not be bent or compressed.

! The power supply cable must only be replaced by authorised technicians.

Warning! The company shall not be held responsible in the event that these standards are not observed.

The first wash cycle

Once the appliance has been installed, and before you use it for the first time, run a wash cycle with detergent and no laundry, using wash cycle number auto clean (see "Cleaning the washing machine").

Technical data

Model	FMSGN 623
Dimensions	width 59,5 cm height 85 cm depth 42,5 cm
Capacity	from 1 to 6 kg
Electrical connections	please refer to the technical data plate fixed to the machine
Water connections	maximum pressure 1 MPa (10 bar) minimum pressure 0.05 MPa (0.5 bar) drum capacity 40 litres
Spin speed	up to 1200 rotations per minute
Test wash cycles in accordance with directives 1061/2010 1015/2010	programme 4 ; Cotton Standard 60°C. programme 5 ; Cotton Standard 40°C.



This appliance conforms to the following EC Directives:
- 2004/108/EC (Electromagnetic Compatibility)
- 2006/95/EC (Low Voltage)
- 2012/19/EU

Care and maintenance

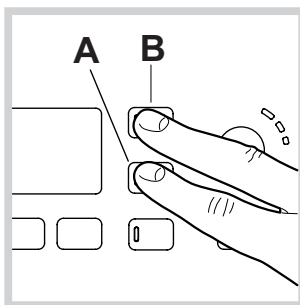
GB

Cutting off the water and electricity supplies

- Turn off the water tap after every wash cycle. This will limit wear on the hydraulic system inside the washing machine and help to prevent leaks.
- Unplug the washing machine when cleaning it and during all maintenance work.

Cleaning the washing machine

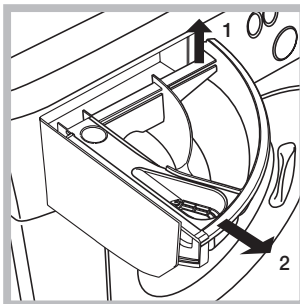
- The outer parts and rubber components of the appliance can be cleaned using a soft cloth soaked in lukewarm soapy water. Do not use solvents or abrasives.
- The washing machine has a auto clean programme for its internal parts that **must be run with no load in the drum**.



To help the wash cycle you may want to use either the detergent (i.e. a quantity 10% the quantity specified for lightly-soiled garments) or special additives to clean the washing machine. We recommend running a

cleaning programme every 40 wash cycles. To start the programme press buttons **A** and **B** simultaneously for 5 seconds (see figure). The programme will start automatically and will run for about 70 minutes. To stop the cycle press the START/PAUSE button.

Cleaning the detergent dispenser drawer



Remove the dispenser by raising it and pulling it out (see figure). Wash it under running water; this operation should be repeated frequently.

Caring for the door and drum of your appliance

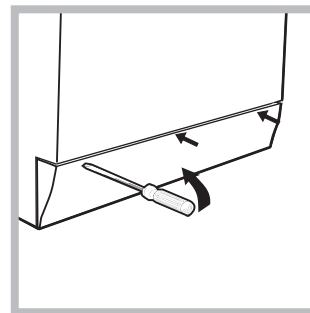
- Always leave the porthole door ajar in order to prevent unpleasant odours from forming.

Cleaning the pump

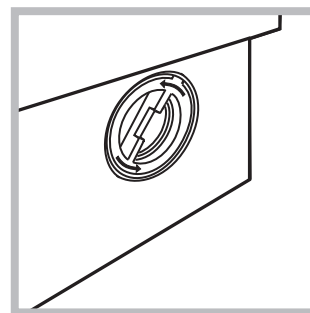
The washing machine is fitted with a self-cleaning pump which does not require any maintenance. Sometimes, small items (such as coins or buttons) may fall into the pre-chamber which protects the pump, situated in its bottom part.

! Make sure the wash cycle has finished and unplug the appliance.

To access the pre-chamber:



1. using a screwdriver, remove the cover panel on the lower front part of the washing machine (see figure);



2. unscrew the lid by rotating it anti-clockwise (see figure): a little water may trickle out. This is perfectly normal;

3. clean the inside thoroughly;
4. screw the lid back on;
5. reposition the panel, making sure the hooks are securely in place before you push it onto the appliance.

Checking the water inlet hose

Check the inlet hose at least once a year. If there are any cracks, it should be replaced immediately: during the wash cycles, water pressure is very strong and a cracked hose could easily split open.

! Never use second-hand hoses.

! This washing machine was designed and constructed in accordance with international safety regulations. The following information is provided for safety reasons and must therefore be read carefully.

General safety

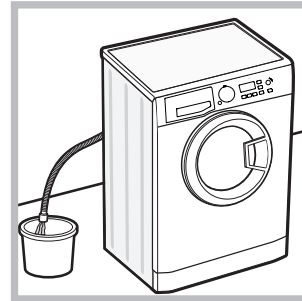
- This appliance was designed for domestic use only.
- This appliance can be used by children aged from 8 years and above and persons with reduced physical, sensory or mental capabilities or lack of experience and knowledge if they have been given supervision or instruction concerning use of the appliance in a safe way and understand the hazards involved. Children shall not play with the appliance. Cleaning and user maintenance shall not be made by children without supervision.
- Do not touch the machine when barefoot or with wet or damp hands or feet.
- Do not pull on the power supply cable when unplugging the appliance from the electricity socket. Hold the plug and pull.
- Do not open the detergent dispenser drawer while the machine is in operation.
- Do not touch the drained water as it may reach extremely high temperatures.
- Never force the porthole door. This could damage the safety lock mechanism designed to prevent accidental opening.
- If the appliance breaks down, do not under any circumstances access the internal mechanisms in an attempt to repair it yourself.
- Always keep children well away from the appliance while it is operating.
- The door can become quite hot during the wash cycle.
- If the appliance has to be moved, work in a group of two or three people and handle it with the utmost care. Never try to do this alone, because the appliance is very heavy.
- Before loading laundry into the washing machine, make sure the drum is empty.

Disposal

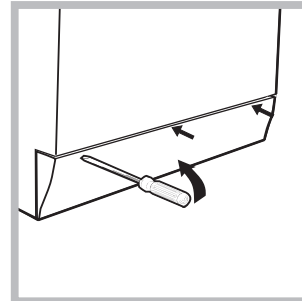
- Disposing of the packaging materials: observe local regulations so that the packaging may be re-used.
- The European Directive 2012/19/EU on Waste Electrical and Electronic Equipment, requires that old household electrical appliances must not be disposed of in the normal unsorted municipal waste stream. Old appliances must be collected separately in order to optimise the recovery and recycling of the materials they contain and reduce the impact on human health and the environment. The crossed out “wheeled bin” symbol on the product reminds you of your obligation, that when you dispose of the appliance it must be separately collected. Consumers should contact their local authority or retailer for information concerning the correct disposal of their old appliance.

Opening the porthole door manually

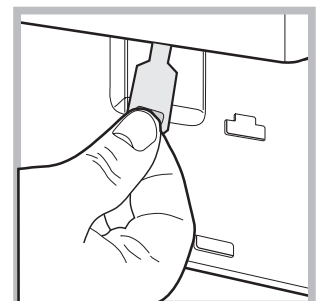
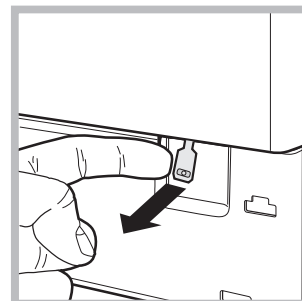
In the event that it is not possible to open the porthole door due to a powercut, and if you wish to remove the laundry, proceed as follows:



1. remove the plug from the electrical socket.
2. make sure the water level inside the machine is lower than the door opening; if it is not, remove excess water using the drain hose, collecting it in a bucket as indicated in the figure.



3. using a screwdriver, remove the cover panel on the lower front part of the washing machine (see figure).

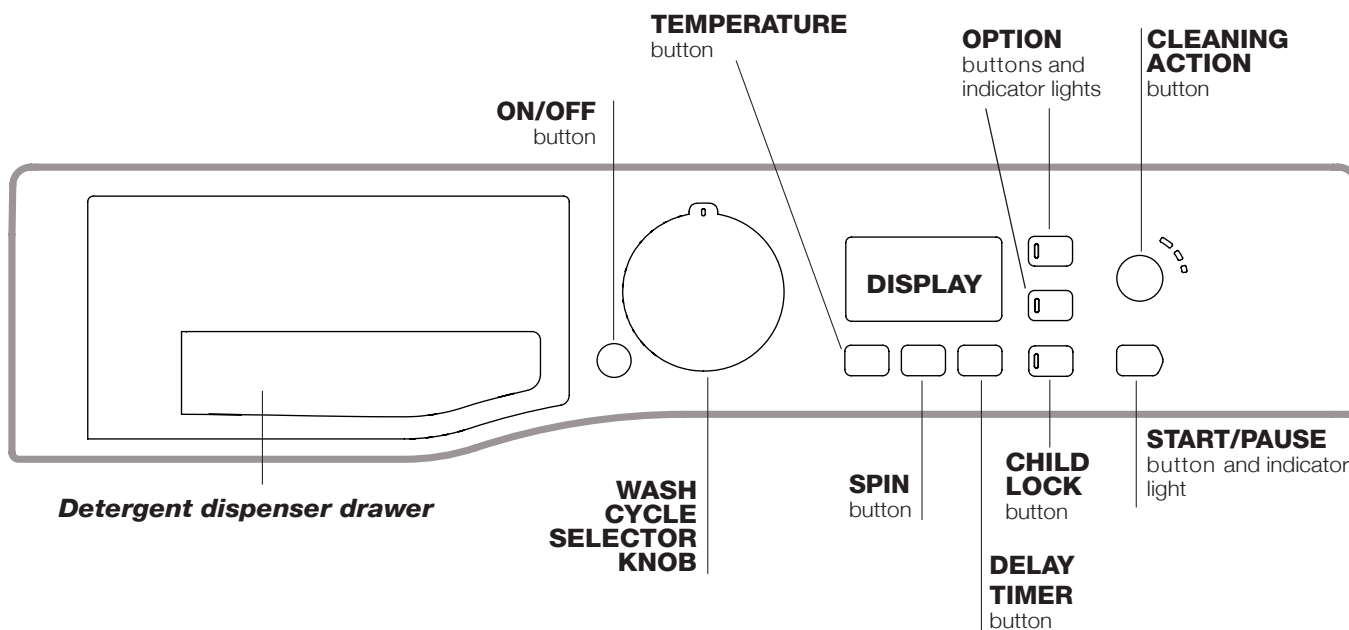


4. pull outwards using the tab as indicated in the figure, until the plastic tie-rod is freed from its stop position; pull downwards and open the door at the same time.


5. reposition the panel, making sure the hooks are securely in place before you push it onto the appliance.

Description of the washing machine

Control panel



Detergent dispenser drawer: used to dispense detergents and washing additives (see “Detergents and laundry”).


ON/OFF  button: press this briefly to switch the machine on or off. The START/PAUSE indicator light which flashes slowly in a green colour shows that the machine is switched on. To switch off the washing machine during the wash cycle, press and hold the button for approximately 3 seconds; if the button is pressed briefly or accidentally the machine will not switch off.


If the machine is switched off during a wash cycle, this wash cycle will be cancelled.


WASH CYCLE SELECTOR KNOB: used to set the desired wash cycle (see “Table of programmes and wash cycles”).


OPTION buttons and indicator lights: press to select the available options. The indicator light corresponding to the selected option will remain lit.


CLEANING ACTION button : to select the desired wash intensity.

TEMPERATURE  button: press to reduce or completely exclude the temperature; the value appears on the display.

SPIN  button: press to reduce or completely exclude the spin cycle; the value appears on the display.

DELAYED START  button: press to set a delayed start for the selected wash cycle; the delay period appears on the display.

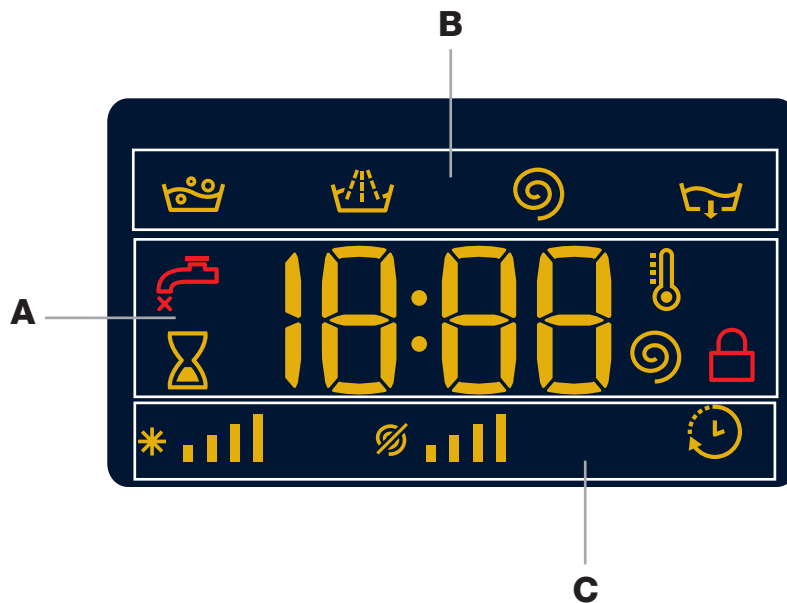
START/PAUSE button and indicator light: when the green indicator light flashes slowly, press the button to start a wash cycle. Once the cycle has begun the indicator light will remain lit in a fixed manner. To pause the wash cycle, press the button again; the indicator light will flash in an amber colour. If the  symbol is not illuminated, the door may be opened. To start the wash cycle from the point at which it was interrupted, press the button again.

CHILD LOCK button: to activate the control panel lock, press and hold the button for approximately 2 seconds. When the symbol  is illuminated, the control panel is locked (apart from the ON/OFF button). This means it is possible to prevent wash cycles from being modified accidentally, especially where there are children in the home. To deactivate the control panel lock, press and hold the button for approximately 2 seconds.

Standby mode

This washing machine, in compliance with new energy saving regulations, is fitted with an automatic standby system which is enabled after about 30 minutes if no activity is detected. Press the ON-OFF button briefly and wait for the machine to start up again.

Display







The display is useful when programming the machine and provides a great deal of information.

The duration of the available wash cycles and the remaining time of a running cycle appear in section **A** (the display will show the maximum duration of the cycle chosen, which may decrease after several minutes, since the effective duration of the programme varies depending on the wash load and the settings chosen); if the DELAYED START option has been set, the countdown to the start of the selected wash cycle will appear.

Pressing the corresponding button allows you to view the maximum spin speed and temperature values attained by the machine during the set wash cycle, or the values selected most recently, if these are compatible with the set wash cycle.


The “wash cycle phases” corresponding to the selected wash cycle and the “wash cycle phase” of the running wash cycle appear in section **B**:

-  Main wash
-  Rinse
-  Spin
-  Pump out


The icons corresponding to “temperature”, “spin” and “delayed start” (working from the left) are displayed in section **C**.

The “temperature” bars *  indicate the maximum temperature level which may be selected for the set cycle.

The “spin” bars  indicate the maximum spin level which may be selected for the set cycle.




The “delay” symbol , when lit, indicates that the set “delayed start” value has appeared on the display.

DOOR LOCKED  indicator light:

The lit symbol indicates that the door is locked. To prevent any damage, wait until the symbol turns off before opening the door. To open the door while a cycle is in progress, press the START/PAUSE button; if the DOOR LOCKED  symbol is switched off the door may be opened.


Running a wash cycle

GB


1. **SWITCH THE MACHINE ON.** Press the  button; the START/PAUSE indicator light will flash slowly in a green colour.
2. **LOAD THE LAUNDRY.** Open the porthole door. Load the laundry, making sure you do not exceed the maximum load value indicated in the table of programmes and wash cycles on the following page.
3. **MEASURE OUT THE DETERGENT.** Pull out the detergent dispenser drawer and pour the detergent into the relevant compartments as described in “Detergents and laundry”.
4. **CLOSE THE DOOR.**
5. **SELECT THE WASH CYCLE.** Use the WASH CYCLE SELECTOR knob to select the desired wash cycle. A temperature and spin speed is set for each wash cycle; these values may be adjusted. The duration of the cycle will appear on the display.
6. **CUSTOMISE THE WASH CYCLE.** Use the relevant buttons:
Modify the temperature and/or spin speed.
The machine automatically displays the maximum temperature and spin speed values set for the selected cycle, or the most recently-used settings if they are compatible with the selected cycle. The temperature can be decreased by pressing the  button, until the cold wash “OFF” setting is reached. The spin speed may be progressively reduced by pressing the  button, until it is completely excluded (the “OFF” setting). If these buttons are pressed again, the maximum values are restored.

! Exception: if the 4 programme is selected, the temperature can be increased up to a value of 90°C.


Setting a delayed start.

To set a delayed start for the selected cycle, press the corresponding button repeatedly until the required delay period has been reached. When this option has been activated, the  symbol lights up on the display. To remove the delayed start setting, press the button until the text “OFF” appears on the display.


Set the desired wash intensity.

Option  makes it possible to optimise washing based on the level of soil in the fabrics and on desired wash cycle intensity.

Select the wash programme: the cycle will be automatically set to “Normal” as optimised for garments with an average level of soil (this setting is not applicable to the “Wool” cycle, which is automatically set to “Delicate”).

For heavily-soiled garments press  button until the “Intensive” level is reached. This level ensures a high-performance wash due to a larger quantity of water used in the initial phase of the cycle and due to increased drum rotation. It is useful when removing the most stubborn stains.

It can be used **with** or **without** bleach. If you desire bleaching, insert the extra tray compartment (4) into compartment 1. When pouring in the bleach, be careful not to exceed the “max” level marked on the central pivot (see figure pag. 10).

For lightly-soiled garments or a more delicate treatment of the fabrics, press  button until the “Delicate” level is reached. The cycle will reduce drum rotation to ensure washing results that are perfect for delicate garments.


Modify the cycle settings.


- Press the button to enable the option; the indicator light corresponding to the button will switch on.
- Press the button again to disable the option; the indicator light will switch off.


! If the selected option is not compatible with the set wash cycle, the indicator light will flash and the option will not be activated.

! If the selected option is not compatible with a previously selected one, the indicator light corresponding to the first function selected will flash and only the second option will be activated; the indicator light for the option which has been activated will be illuminated.

! The options may affect the recommended load value and/or the duration of the cycle.

7. **START THE WASH CYCLE.** Press the START/PAUSE button. The corresponding indicator light will turn green, remaining lit in a fixed manner, and the door will be locked (the DOOR LOCKED  symbol will be lit). To change a wash cycle while it is in progress, **pause the washing machine** using the START/PAUSE button (the START/PAUSE indicator light will flash slowly in an amber colour); then select the desired cycle and press the START/PAUSE button again.

To open the door while a cycle is in progress, press the START/PAUSE button; if the DOOR LOCKED  symbol is switched off the door may be opened. Press the START/PAUSE button again to restart the wash cycle from the point at which it was interrupted.

8. **THE END OF THE WASH CYCLE.** This will be indicated by the text “END” on the display; when the DOOR LOCKED  symbol switches off the door may be opened. Open the door, unload the laundry and switch off the machine.


! If you wish to cancel a cycle which has already begun, press and hold the  button. The cycle will be stopped and the machine will switch off.

Table of programmes and wash cycles

Wash cycles	Description of the wash cycle	Max. temp. (°C)	Max. speed (rpm)	Detergents				Max. load (kg)	Residual dampness%	Energy consumption kWh	Total water lt	Cycle duration
				Prewash	Wash	Bleach	Fabric softener					
CLEAN Plus												
1	Anti Stain	40°	1200	●	●	-	●	3	-	-	-	170'
2	Anti Stain Quick	40°	1200	-	●	-	●	2,5	-	-	-	60'
3	Whites	60°	1200	●	●	-	●	3	-	-	-	165'
4	Cotton Standard 60°C (1): heavily soiled whites and resistant colours.	60° (Max. 90°)	1200	●(3)	●	●	●	6	53	0.78	50	200'
5	Cotton Standard 40°C (2): lightly soiled resistant and delicate colours.	40°	1200	-	●	●	●	6	53	0.65	65	170'
6	Synthetics: heavily soiled resistant colours.	60°	800	●	●	●	●	3	44	0.70	44	105'
6	Synthetics (4): lightly soiled resistant colours.	40°	800	●	●	●	●	3	44	0.47	38	95'
SPECIALS												
7	Anti allergy Plus	60°	1200	-	●	●	●	3	-	-	-	165'
8	Anti allergy Delicate	40°	1200	-	●	●	●	3	-	-	-	180'
9	Wool: for wool, cashmere, etc.	40°	800	-	●	-	●	1	-	-	-	65'
10	Delicates	30°	0	-	●	-	●	0,5	-	-	-	75'
ECO												
11	Cotton Standard 20°C: lightly soiled resistant and delicate colours.	20°	1200	-	●	●	●	6	-	-	-	170'
12	Eco Cottons	Cold Water	1200	-	●	-	●	6	53	0.15	54	80'
13	Eco Synthetics	Cold Water	800	-	●	-	●	2,5	48	0.06	25	70'
14	Eco Fast 30'	Cold Water	800	-	●	-	●	2,5	71	0.04	32	30'
Partial Programmes												
	Rinse	-	1200	-	-	-	●	6	-	-	-	36'
	Spin and Pump out	-	1200	-	-	-	-	6	-	-	-	10'
	Pump out only *	-	OFF	-	-	-	-	6	-	-	-	3'

* If you select programme and exclude the spin cycle, the machine will drain only.

The length of cycle shown on the display or in this booklet is an estimation only and is calculated assuming standard working conditions. The actual duration can vary according to factors such as water temperature and pressure, the amount of detergent used, the amount and type of load inserted, load balancing and any wash options selected.

1) Test wash cycle in compliance with directive 1061/2010: set wash cycle 4 with a temperature of 60°C.

This cycle is designed for cotton loads with a normal soil level and is the most efficient in terms of both electricity and water consumption; it should be used for garments which can be washed at 60°C. The actual washing temperature may differ from the indicated value.

2) Test wash cycle in compliance with directive 1061/2010: set wash cycle 5 with a temperature of 40°C.

This cycle is designed for cotton loads with a normal soil level and is the most efficient in terms of both electricity and water consumption; it should be used for garments which can be washed at 40°C. The actual washing temperature may differ from the indicated value.

3) At 60 °C the "Prewash" function cannot be selected.

For all Test Institutes:

2) Long wash cycle for cottons: set wash cycle 5 with a temperature of 40°C.

4) Long wash cycle for synthetics: set wash cycle 6 with a temperature of 40°C.

Wash options

! If the selected option is not compatible with the set wash cycle, the indicator light will flash and the option will not be activated.

! If the selected option is not compatible with a previously selected one, the indicator light corresponding to the first function selected will flash and only the second option will be activated; the indicator light for the option which has been activated will be illuminated.

Extra Rinse

By selecting this option, the efficiency of the rinse is increased and optimal detergent removal is guaranteed. It is particularly useful for sensitive skin.

Prewash

If this function is selected, the pre-wash cycle will run; this is useful for removing stubborn stains.

N.B.: Put the detergent in the relevant compartment.

Detergents and laundry

GB

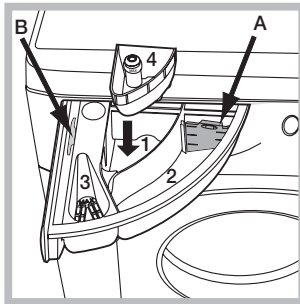
Detergent dispenser drawer

Successful washing results also depend on the correct dose of detergent: adding too much detergent will not necessarily result in a more efficient wash, and may in fact cause build up on the inside of your appliance and contribute to environmental pollution.

! Use powder detergent for white cotton garments, for pre-washing, and for washing at temperatures over 60°C.

! Follow the instructions given on the detergent packaging.

! Do not use hand washing detergents; they create too much foam.



Open the detergent dispenser drawer and pour in the detergent or washing additive, as follows.

compartment 1: Pre-wash detergent (powder)

Before pouring in the detergent, make sure that extra compartment 4 has been removed.

compartment 2: Detergent for the wash cycle (powder or liquid)

If liquid detergent is used, it is recommended that the removable plastic partition A (supplied) be used for proper dosage.

If powder detergent is used, place the partition into slot B.

compartment 3: Additives (fabric softeners, etc.)

The fabric softener should not overflow the grid.

extra compartment 4: Bleach

Preparing the laundry

- Divide the laundry according to:
 - the type of fabric/the symbol on the label
 - the colours: separate coloured garments from whites.
- Empty all garment pockets and check the buttons.
- Do not exceed the listed values, which refer to the weight of the laundry when dry: see "Table of programmes and wash cycles".

How much does your laundry weigh?

- 1 sheet 400-500 g
- 1 pillow case 150-200 g
- 1 tablecloth 400-500 g
- 1 bathrobe 900-1,200 g
- 1 towel 150-250 g

Special wash cycles

Anti Stain: the programme 1 is suitable to heavily-soiled garments with resistant colours. It ensures a washing class that is higher than the standard class (A class).

When running the programme, do not mix garments of different colours. We recommend the use of powder detergent. Pre-treatment with special additives is recommended if there are obstinate stains.

Anti Stain Quick: this programme is ideal for washing the most difficult daily stains in 1 hour. It is ideal for mixed fabrics and coloured garments, caring for your clothes as it washes.

Whites: use this cycle 3 to wash white clothes. The programme is designed to maintain the brightness of white clothes over time. Use powder detergent for best results.


Anti allergy Plus: use programme 7 to remove major allergens such as pollen, mites, cat's and dog's hair.

Anti allergy Delicate: cycle studied for cotton laundry and other resistant fabrics to guarantee the removal of pollen and cat and dog hair already at 40°.

Wool: the wool wash cycle of this machine has been approved by The Woolmark Company for the washing of wool garments labelled as "hand wash" provided that the products are washed according to the instructions on the garment label and those issued by the manufacturer of this washing machine (M1128)



Delicates: use programme 10 to wash very delicate garments having strasses or sequins.

To wash **silk** garments and **curtains** select the cycle 10 and set the "Delicate" level from option .

We recommend turning the garments inside out before washing and placing small items into the special bag for washing delicates. Use liquid detergent on delicate garments for best results.

Eco cycles

The Eco Cycles assure energy saving by eliminating the need of heating water and it's an advantage both to your energy bill and the environment! These innovative Eco programmes (12 Eco Cottons, 13 Eco Synthetics and 14 Eco Fast 30') are available for various fabrics and different quantity of garment; they have been designed to guarantee a high cleaning action even at low temperature and can be used for lightly to medium soiled loads. Eco Cycles give the best results thanks to an intensified wash action, water optimization and are carried out in the same average time of a standard cycle. For the best washing results with Eco Cycles we recommend the usage of a liquid detergent.

Cotton Standard 20°C ideal for lightly soiled cotton loads. The effective performance levels achieved at cold temperatures, which are comparable to washing at 40°, are guaranteed by a mechanical action which operates at varying speed, with repeated and frequent peaks.

Load balancing system

Before every spin cycle, to avoid excessive vibrations before every spin and to distribute the load in a uniform manner, the drum rotates continuously at a speed which is slightly greater than the washing rotation speed. If, after several attempts, the load is not balanced correctly, the machine spins at a reduced spin speed. If the load is excessively unbalanced, the washing machine performs the distribution process instead of spinning. To encourage improved load distribution and balance, we recommend small and large garments are mixed in the load.

Your washing machine could occasionally fail to work. Before contacting the Technical Assistance Service (see “Service”), make sure that the problem cannot be solved easily using the following list.

Problem:

Possible causes / Solutions:

The washing machine does not switch on.

- The appliance is not plugged into the socket fully, or not enough to make contact.
- There is no power in the house.

The wash cycle does not start.

- The washing machine door is not closed properly.
- The ON/OFF button has not been pressed.
- The START/PAUSE button has not been pressed.
- The water tap has not been opened.
- A delayed start has been set.

The washing machine does not fill with water (the text “H2O” flashes on the display).

- The water inlet hose is not connected to the tap.
- The hose is bent.
- The water tap has not been opened.
- There is no water supply in the house.
- The pressure is too low.
- The START/PAUSE button has not been pressed.

The washing machine continuously takes in and drains water.

- The drain hose is not fitted at a height between 65 and 100 cm from the floor (see “Installation”).
- The free end of the hose is under water (see “Installation”).
- The wall drainage system is not fitted with a breather pipe.

If the problem persists even after these checks, turn off the water tap, switch the appliance off and contact the Technical Assistance Service. If the dwelling is on one of the upper floors of a building, there may be problems relating to water drainage, causing the washing machine to fill with water and drain continuously. Special anti-draining valves are available in shops and help to prevent this inconvenience.

The washing machine does not drain or spin.

- The wash cycle does not include draining: some cycles require the draining process to be enabled manually.
- The drain hose is bent (see “Installation”).
- The drainage duct is clogged.

The washing machine vibrates a lot during the spin cycle.

- The drum was not unlocked correctly during installation (see “Installation”).
- The washing machine is not level (see “Installation”).
- The washing machine is trapped between cabinets and walls (see “Installation”).

The washing machine leaks.

- The water inlet hose is not screwed on properly (see “Installation”).
- The detergent dispenser drawer is blocked (for cleaning instructions, see “Care and maintenance”).
- The drain hose is not fixed properly (see “Installation”).

The “option” and START/PAUSE indicator lights flash rapidly and an error code appears on the display (e.g.: F-01, F-..).

- Switch off the machine and unplug it, wait for approximately 1 minute and then switch it back on again.
If the problem persists, contact the Technical Assistance Service.

There is too much foam.

- The detergent is not suitable for machine washing (it should display the text “for washing machines” or “hand and machine wash”, or the like).
- Too much detergent was used.

Service

GB

Before contacting the Technical Assistance Service:

- Check whether you can solve the problem alone (see "Troubleshooting");
- Restart the wash cycle to check whether the problem has been solved;
- If this is not the case, contact an authorised Technical Assistance Centre.

! Always request the assistance of authorised technicians.

Have the following information to hand:

- the type of problem;
- the appliance model (Mod.);
- the serial number (S/N).

This information can be found on the data plate applied to the rear of the washing machine, and can also be found on the front of the appliance by opening the door.

COMMISSION DELEGATED REGULATION (EU) No 1061/2010

Brand	HOTPOINT/ARISTON
Model	FMSGN 623 CZ
Rated capacity in kg of cotton	6.0
Energy efficiency class on a scale from A+++ (low consumption) to G (high consumption)	A+++
Energy consumption per year in kWh ¹⁾	152.0
Energy consumption of the standard 60 °C cotton programme at full load in kWh ²⁾	0.789
Energy consumption of the standard 60 °C cotton programme at partial load in kWh ²⁾	0.563
Energy consumption of the standard 40 °C cotton programme at partial load in kWh ²⁾	0.534
Power consumption of the off-mode in W	0.5
Power consumption of the left-on mode in W	8.0
Water consumption per year in litres ³⁾	8391
Spin-drying efficacy class on a scale from G (minimum efficacy) to A (maximum efficacy)	B
Maximum spin speed attained ⁴⁾	1200
Remaining moisture content ⁵⁾	53%
Programme time of the "standard 60 °C cotton" at full load in minutes	200
Programme time of the "standard 60 °C cotton" at partial load in minutes	150
Programme time of the "standard 40°C cotton" at partial load in minutes	145
Duration of the left-on mode in minutes	30
Noise in dB(A) re 1 pW washing ⁶⁾	62
Noise in dB(A) re 1 pW spinning ⁶⁾	80
Built-in model	

¹⁾ The "standard 60°C cotton" at full and partial load and the "standard 40°C cotton" at partial load are the standard washing programmes to which the information in the label and the fiche relates. Standard 60°C cotton and standard 40°C cotton are suitable to clean normally soiled cotton laundry and are the most efficient programmes in terms of combined energy and water consumption. Partial load is half the rated load.

²⁾ Based on 220 standard washing cycles for cotton programmes at 60°C and 40°C at full and partial load, and the consumption of the low-power modes. Actual energy consumption will depend on how the appliance is used.

³⁾ Based on 220 standard washing cycles for cotton programmes at 60°C and 40°C at full and partial load. Actual water consumption will depend on how the appliance is used.

⁴⁾ For the standard 60 °C at full and partial load or the 40°C at partial whichever is lower.

⁵⁾ Attained for 60 °C cotton at full and partial load or the 40°C at partial whichever is higher.

⁶⁾ Based on washing and spinning phases for the standard 60°C cotton programme at full load.

CZ

Česky

FMSGN 623

Obsah

Instalace, 14-15

Rozbalení a vyrovnaní do vodorovné polohy
Připojení k elektrické a k vodovodní síti
První prací cyklus
Technické údaje

Údržba a péče, 16

Uzavření přívodu vody a vypnutí elektrického napájení
Čištění pračky
Čištění dávkovače pracích prostředků
Péče o dvířka a buben
Čištění čerpadla
Kontrola přítokové hadice na vodu

Opatření a rady, 17

Základní bezpečnostní pokyny
Likvidace
Manuální otevření dvířek

Popis pračky, 18-19

Ovládací panel
Displej

Jak provést prací cyklus, 20

Programy a volitelné funkce, 21

Tabulka programů
Volitelné funkce praní

Prací prostředky a prádlo, 22

Dávkovač pracích prostředků
Příprava prádla
Speciální programy
Systém automatického vyvážení náplně

Poruchy a způsob jejich odstranění, 23

Servisní služba, 24

Instalace

CZ

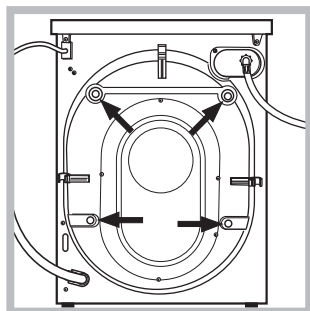
! Je důležité uschovat tento návod tak, abyste jej mohli kdykoli konzultovat. V případě prodeje, darování nebo přestěhování pračky se ujistěte, že zůstane uložen v blízkosti pračky, aby mohl posloužit novému majiteli při seznámení s její činností a s příslušnými upozorněními.

! Pozorně si přečtěte uvedené pokyny: Obsahují důležité informace týkající se instalace, použití a bezpečnosti při práci.

Rozbalení a vyrovnaní do vodorovné polohy

Rozbalení

1. Rozbalte pračku.
2. Zkontrolujte, zda během přepravy nedošlo k jejímu poškození. V případě, že je poškozena, ji nezapojujte a obraťte se na prodejce.



3. Odstraňte 4 šrouby chránící před poškozením během přepravy a gumovou podložku s příslušnou rozpěrkou, které se nacházejí v zadní části (viz obrázek).

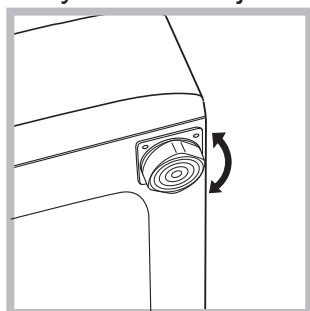
4. Uzavřete otvory po šroubech plastovými krytkami z příslušenství.

5. Uschovejte všechny díly: v případě opětovné přepravy pračky je bude třeba namontovat zpět.

! Obaly nejsou hračky pro děti!

Vyrovnaní do vodorovné polohy

1. Pračku je třeba umístit na rovnou a pevnou podlahu, aniž by se opírala o stěnu, nábytek či něco jiného.



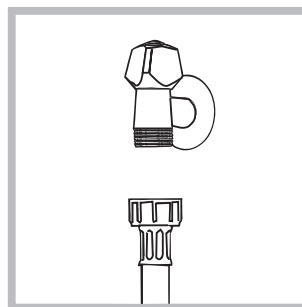
2. V případě, že podlaha není dokonale vodorovná, mohou být případné rozdíly vykompenzovány šroubováním předních nožek (viz obrázek); Úhel sklonu, naměřený na pracovní ploše,

nesmí přesáhnout 2°.

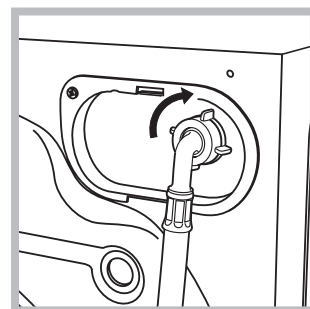
Dokonalé vyrovnaní do vodorovné polohy zabezpečí stabilitu zařízení a zamezí vzniku vibrací a hluku během činnosti. V případě instalace na podlahovou krytinu nebo na koberec nastavte nožky tak, aby pod pračkou zůstal dostatečný volný prostor pro ventilaci.

Připojení k elektrické a k vodovodní síti

Připojení přítokové hadice vody



1. Připojte přívodní hadici jejím zašroubováním ke kohoutku studené vody s hrdlem se závitem 3/4" (viz obrázek). Před připojením hadice nechte vodu odtékat, dokud nebude čirá.



2. Připojte přítokovou hadici k pračce prostřednictvím příslušné přípojky na vodu, umístěné vpravo nahoře (viz obrázek).

3. Dbejte na to, aby hadice nebyla příliš ohnutá ani stlačená.

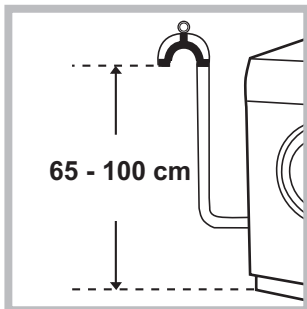
! Tlak v rozvodu vody se musí pohybovat v rozmezí hodnot uvedených v tabulce s technickými údaji (viz vedlejší strana).

! V případě, že délka přítokové hadice nebude dostatečná, se obraťte na specializovanou prodejnu nebo na autorizovaný technický personál.

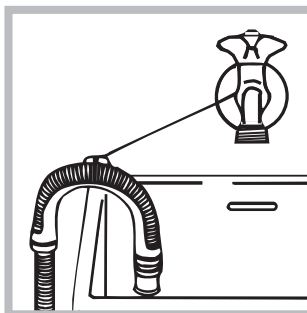
! Nikdy nepoužívejte již použité hadice.

! Používejte hadice z příslušenství zařízení.

Připojení vypouštěcí hadice



Připojte vypouštěcí hadici k odpadovému potrubí nebo k odpadu ve stěně, který se nachází od 65 do 100 cm nad zemí; zamezte jejímu ohybu



nebo ji uchyťte k okraji umývadla či vany a připevněte ji ke kohoutu prostřednictvím držáku z příslušenství (viz obrázek). Volný konec vypouštěcí hadice nesmí zůstat ponořený do vody.

! Použití prodlužovacích hadic se nedoporučuje; je-li však nezbytné, prodlužovací hadice musí mít stejný průměr jako originální hadice a její délka nesmí přesáhnout 150 cm.

Připojení k elektrické síti

Před zasunutím zástrčky do zásuvky se ujistěte, že:

- Je zásuvka uzemněna a že vyhovuje normám;
- je zásuvka schopna snést maximální zátěž odpovídající jmenovitému příkonu zařízení, uvedenému v tabulce s technickými údaji (viz vedle);
- hodnota napájecího napětí odpovídá údajům uvedeným v tabulce s technickými údaji (viz vedle);
- je zásuvka kompatibilní se zástrčkou pračky. V opačném případě je třeba vyměnit zásuvku nebo zástrčku.

! Pračka nesmí být umístěna venku – pod širým nebem, a to ani v případě, že by se jednalo o místo chráněné před nepřízní počasí, protože je velmi nebezpečné vystavit ji působení deště a bouří.

- ! Po definitivní instalaci pračky musí zásuvka zůstat snadno přístupná.
- ! Nepoužívejte prodlužovací kabely a rozvodky.
- ! Kabel nesmí být ohnutý ani stlačený.
- ! Výměna kabelu musí být svěřena výhradně autorizovanému technickému personálu.

Upozornění! Výrobce nenesou žádnou odpovědnost za následky nerespektování uvedených předpisů.

První prací cyklus

Po instalaci zařízení je třeba ještě předtím, než je použijete na praní prádla, provést jeden zkušební cyklus s pracím prostředkem a bez náplně prádla nastavením pracího programu „Samočištění“ (viz „Čištění pračky“).

Technické údaje	
Model	FMSGN 623
Rozměry	šířka 59,5 cm výška 85 cm hloubka 42,5 cm
Kapacita	od 1 do 6 kg
Napájení	Viz štítek s technickými údaji, aplikovaný na zařízení.
Připojení k rozvodu vody	maximální tlak 1 MPa (10 bar) minimální tlak 0.05 MPa (0.5 bar) kapacita bubny 40 litrů
Rychlost odstředování	až do 1200 otáček za minutu
Kontrolní programy podle směrnice 1061/2010 1015/2010	program 4; Standardní programy pro bavlnu 60°C. program 5; Standardní programy pro bavlnu 40°C.
 	Toto zařízení odpovídá následujícím normám Evropské unie: - 2004/108/CE (Elektromagnetická kompatibilita) - 2006/95/CE (Nízké napětí) - 2012/19/EU

Údržba a péče

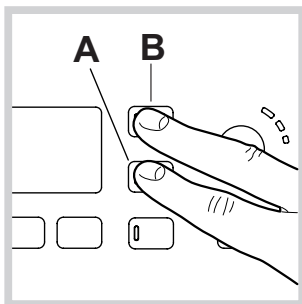
CZ

Uzavření přívodu vody a vypnutí elektrického napájení

- Po každém praní uzavřete přívod vody. Tímto způsobem dochází k omezení opotřebenosti pračky a ke snížení nebezpečí úniku vody.
- Před zahájením čištění pračky a během operací údržby vytáhněte zástrčku napájecího kabelu z elektrické zásuvky.

Čištění pračky

- Vnější části a části z gumy se mohou čistit hadrem navlhčeným ve vlažné vodě a saponátu. Nepoužívejte rozpouštědla ani abrazivní látky.
- Pračka je vybavena programem „Samočištění“ vnitřních částí, který musí být proveden **bez jakéhokoli druhu náplně v bubnu**.

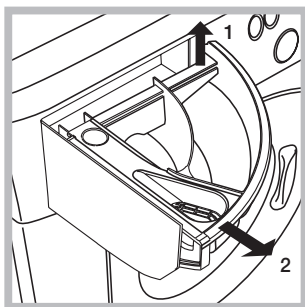


Prací prostředek (množství rovnající se 10% množství doporučeného pro částečně znečištěné prádlo) nebo specifické přídatné prostředky pro čištění pračky budou moci být použity jako

pomocné prostředky v pracovním programu. Doporučuje se provést samočisticí program každých 40 cyklů praní. Pro aktivaci programu stiskněte současně tlačítka **A** a **B** na dobu 5 sekund (viz obrázek).

Program bude zahájen automaticky a bude trvat přibližně 70 minut. Cyklus je možné ukončit stisknutím tlačítka START/PAUSE.

Čištění dávkovače pracích prostředků



Vytáhněte dávkovač jeho nadzvednutím a vytažením směrem ven (viz obrázek). Umyjte jej pod proudem vody; tento druh vyčištění je třeba provádět pravidelně.

Péče o dvířka a bubn

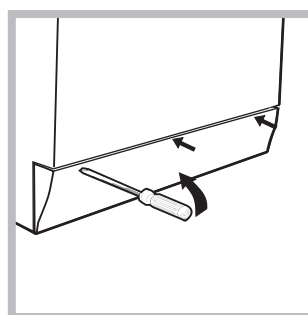
- Dvířka ponechte pokaždé pootevřená, aby se zabránilo tvorbě nepříjemných zápachů.

Čištění čerpadla

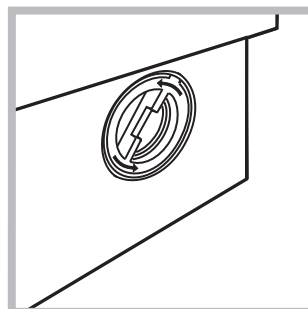
Součástí pračky je samočisticí čerpadlo, které nevyžaduje údržbu. Může se však stát, že se v jeho vstupní části, určené k jeho ochraně a nacházející se v jeho spodní části, zachytí drobné předměty (mince, knoflíky).

! Ujistěte se, že byl prací cyklus ukončen, a vytáhněte zástrčku ze zásuvky.

Přístup ke vstupní části čerpadla:



1. pomocí šroubováku odstraňte krycí panel nacházející se v přední části pračky (viz obrázek);



2. Odšroubujte víko jeho otáčením proti směru hodinových ručiček (viz obrázek): vytečení malého množství vody je zcela běžným jevem;

3. dokonale vyčistěte vnitřek;
4. zašroubujte zpět víko;
5. namontujte zpět panel, přičemž se před jeho přisunutím k zařízení ujistěte, že došlo ke správnému zachycení háčků do příslušných podélných otvorů.

Kontrola přítokové hadice na vodu

Stav přítokové hadice je třeba zkontrolovat alespoň jednou ročně. Jsou-li na ní viditelné praskliny nebo trhliny, je třeba ji vyměnit: silný tlak působící na hadici během pracovního cyklu by mohl způsobit její náhlé roztržení.

! Nikdy nepoužívejte již použité hadice.

! Pračka byla navržena a vyrobena v souladu s platnými mezinárodními bezpečnostními předpisy. Tato upozornění jsou uváděna z bezpečnostních důvodů a je třeba si je pozorně přečíst.

Základní bezpečnostní pokyny

- Toto zařízení bylo navrženo výhradně pro použití v domácnosti.
- Toto zařízení mohou používat děti od 8 let a osoby se sníženými fyzickými, sensorickými nebo duševními schopnostmi nebo osoby s nedostatečnými zkušenostmi a znalostmi, když se nacházejí pod náležitým dohledem nebo když byly náležitě vyškoleny ohledně bezpečného použití zařízení a uvědomují si související nebezpečí. Děti si nesmí hrát se zařízením. Děti nesmí provádět operace údržby a čištění bez dohledu.
- Pračku mohou používat pouze dospělé osoby podle pokynů uvedených v tomto návodu.
- Nedotýkejte se zařízení bosí nebo v případě, že máte mokré ruce či nohy.
- Nevytahujte zástrčku ze zásuvky tahem za kabel, ale uchopením za zástrčku.
- Neotvírejte dávkovač pracích prostředků během činnosti zařízení.
- Nedotýkejte se odčerpávané vody, protože může mít velmi vysokou teplotu.
- Nepokoušejte se o násilné otevření dvířek: mohlo by dojít k poškození bezpečnostního uzávěru, který zabraňuje náhodnému otevření.
- Při výskytu poruchy se v žádném případě nepokoušejte o opravu vnitřních částí zařízení.
- Vždy mějte pod kontrolou děti a zabraňte tomu, aby se přibližovaly k zařízení během pracího cyklu.
- Během pracího cyklu mají dvířka tendenci ohřát se.
- V případě potřeby přemístujte pračku ve dvou nebo ve třech a věnujte celé operaci maximální pozornost. Nikdy se nepokoušejte zařízení přemísťovat sami, je totiž velmi těžké.
- Před zahájením vkládání prádla zkontrolujte, zda je buben prázdný.

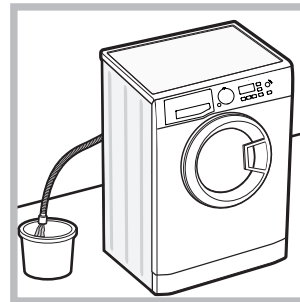
Likvidace

- Likvidace obalových materiálů: při jejich odstranění postupujte v souladu s místními předpisy a dbejte na možnou recyklaci.
- Evropská směrnice 2012/19/EU o odpadu tvořeném elektrickými a elektronickými zařízeními nařizuje, že elektrospotřebiče nesmí být likvidovány v rámci běžného pevného městského odpadu. Vyřazená zařízení musí být shromážděna zvlášť za účelem zvýšení počtu recyklovaných a znovupoužitých materiálů, z nichž jsou složena, a z důvodu zabránění možných ublížení na zdraví a škod na životním prostředí. Symbolem je přeškrtnutý koš, uvedený na všech výrobcích s cílem připomenout povinnosti

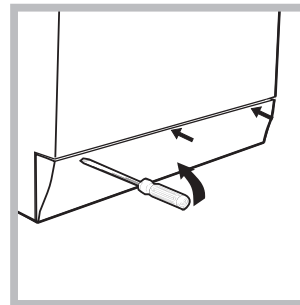
spojené se separovaným sběrem. Podrobnější informace týkající se správného způsobu vyřazení elektrospotřebičů z provozu mohou jejich držitelé získat tak, že se obrátí na navrženou veřejnou instituci nebo na prodejce.

Manuální otevření dvířek

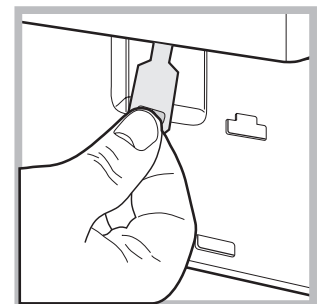
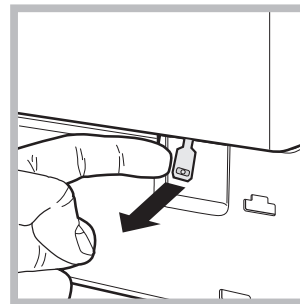
V případě, že není možné otevřít dvířka s průzorem z důvodu výpadku elektrické energie a hodláte pověsit prádlo, postupujte následovně:



1. vytáhněte zástrčku ze zásuvky elektrické sítě.
2. Zkontrolujte, zda je hladina vody uvnitř zařízení nižší, než je úroveň otevření dvířek; v opačném případě vypusťte přebytečnou vodu vypouštěcí hadicí a zachyťte ji do vědra, jak je znázorněno na *obrázku*.



3. pomocí šroubováku odstraňte krycí panel nacházející se v přední části pračky (viz *obrázek*).

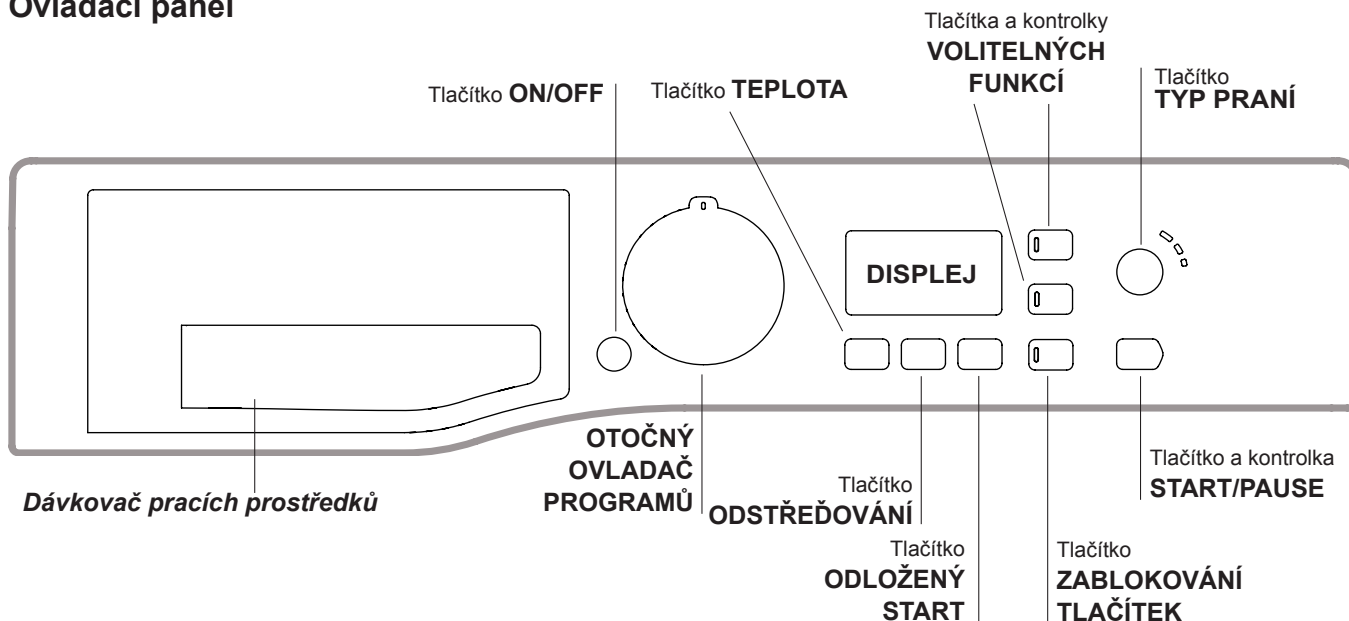


4. s použitím jazýčku označeného na obrázku potáhněte směrem ven z dorazu plastové táhlo až do jeho uvolnění; následně jej potáhněte směrem dolů a současně otevřete dvířka.
5. namontujte zpět panel, přičemž se před jeho přisunutím k zařízení ujistěte, že došlo ke správnému zachycení háčků do příslušných podélných otvorů.


Popis pračky

CZ

Ovládací panel





Dávkač pracích prostředků: slouží k dávkování pracích prostředků a přídatných prostředků (viz "Prací prostředky a prádlo").


Tlačítko **ON/OFF** : Zapnete nebo vypnete pračku krátkým stisknutím tlačítka. Kontrolka **START/PAUSE** pomalu blikající zeleným světlem poukazuje na to, že je zařízení zapnuté. Za účelem vypnutí pračky během praní je třeba držet tlačítko stisknuté déle, přibližně 3 sek.; krátké nebo náhodné stisknutí neumožní vypnutí pračky. Vypnutí zařízení během praní způsobí zrušení probíhajícího pracího programu.


OTOČNÝ OVLADAČ PROGRAMŮ: Slouží k nastavení požadovaného programu (viz "Tabulka programů").


Tlačítka a kontrolky **VOLITELNÝCH FUNKCÍ:** slouží k volbě jednotlivých nabízených volitelných funkcí. Kontrolka zvolené volitelné funkce zůstane rozsvícena.


Tlačítko **TYP PRANÍ** : jeho stisknutím můžete provést volbu požadované intenzity praní.

Tlačítko **TEPLOTA** : Stiskněte za účelem snížení nebo úplného vyloučení teploty; hodnota bude uvedena na displeji.

Tlačítko **ODSTŘEĐOVÁNÍ** : Stiskněte za účelem snížení nebo úplného vyloučení odstřeďování - hodnota bude uvedena na displeji.

Tlačítko **ODLOŽENÝ START** : Jeho stisknutím můžete nastavit odložený start zvoleného programu; doba odložení bude zobrazena na displeji.

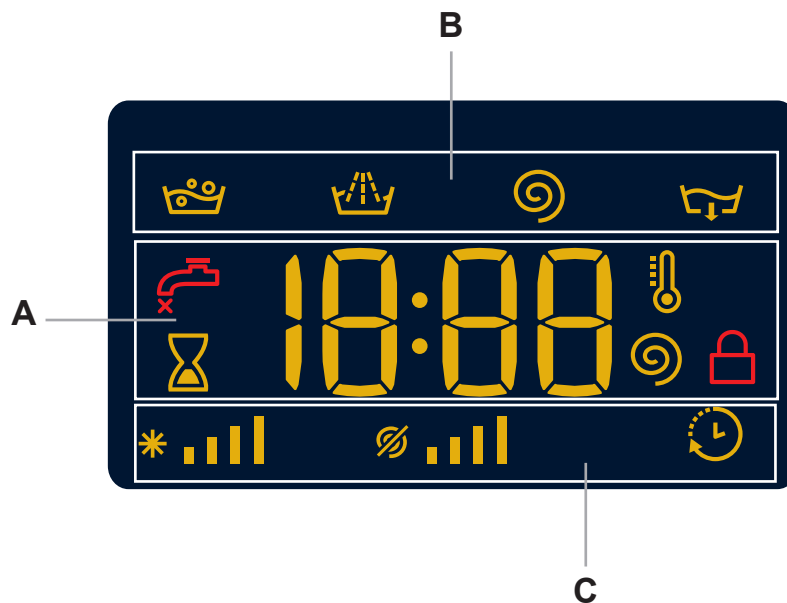
Tlačítko a kontrolka **START/PAUSE:** když zelená kontrolka začne pomalu blikat, stiskněte toto tlačítko pro zahájení praní. Po zahájení cyklu se kontrolka rozsvítí stálým světlem. Přejete-li si přerušit praní, opětovně stiskněte tlačítko; kontrolka bude blikat oranžovým světlem. Když symbol  není rozsvícen, je možné otevřít dvířka. Za účelem opětovného zahájení cyklu z místa, v němž byl přerušen, opětovně stiskněte tlačítko.

Tlačítko **ZABLOKOVÁNÍ TLAČÍTEK:** aktivace zablokování ovládacího panelu se provádí tak, že podržíte stisknuté tlačítko přibližně na 2 sekundy. Rozsvícená kontrolka  poukazuje na to, že je ovládací panel zablokovaný. Tímto způsobem se zamezí náhodným změnám programů (s výjimkou tlačítka **ON/OFF**), zejména když jsou v domácnosti děti. Zrušení zablokování ovládacího panelu se provádí tak, že podržíte stisknuté tlačítko přibližně na 2 sekundy.

Pohotovostní režim

Za účelem shody s novými předpisy souvisejícími s energetickou úsporou je tato pračka vybavena systémem automatického vypnutí (přechodu do pohotovostního režimu – standby), který je aktivován po uplynutí přibližně 30 minut, když se pračka nepoužívá. Krátce stiskněte tlačítko **ON/OFF** a vyčkejte na obnovení činnosti zařízení.

Displej



Displej slouží k naprogramování zařízení a poskytuje četné informace.

V části **A** je zobrazována doba trvání různých programů, které jsou k dispozici, a po zahájení cyklu i zbývající doby do jeho ukončení (na displeji se zobrazí maximální doba trvání zvoleného cyklu, která se může po několika minutách snížit, protože skutečná doba trvání programu se mění v závislosti na náplni prádla a na zadaných nastaveních); v případě nastavení ODLOŽENÝ START bude zobrazena doba chybějící do zahájení zvoleného programu.

Kromě toho budou při stisknutí příslušného tlačítka zobrazeny maximální hodnoty rychlosti odstředování a teploty, kterých zařízení může dosáhnout v závislosti na nastaveném programu.

V části **B** jsou zobrazovány “fáze prání”, které jsou součástí zvoleného cyklu, a po zahájení programu také probíhající “fáze prání”:

- Prání
- Máchání
- Odstředování
- Odčerpání vody

V části **C** jsou přítomné ikony - zleva – “teplota”, “odstředování” a “Odložený start”.

Pruhy “odstředování” * znázorňují úroveň odstředování vzhledem k maximální nastavitelné hodnotě pro nastavený cyklus.

Pruhy “odstředování” znázorňují úroveň odstředování vzhledem k maximální nastavitelné hodnotě pro nastavený cyklus.

Rozsvícený symbol “odložený start” informuje o tom, že na displeji je zobrazena nastavená hodnota “Odloženého startu”.


Kontrolka **Zablokovaná dvířka**

Rozsvícený symbol poukazuje na zajištění dvířek. Aby se předešlo poškození, před otevřením dvířek je třeba vyčkat na zhasnutí uvedeného symbolu.

Za účelem otevření dvířek v průběhu pracovního cyklu stiskněte tlačítko START/PAUSE; když bude symbol ZABLOKOVANÁ DVÍŘKA zhasnutý, bude možné otevřít dvířka.



Jak provést prací cyklus

CZ

- 1. ZAPNUTÍ ZAŘÍZENÍ.** Stiskněte tlačítko ; kontrolka START/PAUSE bude pomalu blikat zeleným světlem.
- 2. NAPLNĚTE PRAČKU PRÁDLEM.** Otevřete dvířka s průzorem. Naplňte pračku prádlem a dbejte přitom, aby nedošlo k překročení množství náplně, uvedeného v tabulce programů na následující straně.
- 3. NADÁVKUJTE PRACÍ PROSTŘEDEK.** Vytáhněte dávkovač pracích prostředků a naplňte prací prostředek do příslušných přihrádek způsobem vysvětleným v části "Prací prostředky a prádlo".
- 4. ZAVŘETE DVÍŘKA.**
- 5. ZVOLTE PRACÍ PROGRAM.** Otočným ovladačem PROGRAMŮ zvolte požadovaný program; teplotu a rychlost odstředování, které jsou k programu přiřazeny, je možné měnit. Na displeji se zobrazí doba trvání cyklu.


6. NASTAVTE PRACÍ PROGRAM DLE VAŠICH POTŘEB.

Použijte příslušná tlačítka:


Změňte teplotu a/nebo odstředování. Zařízení automaticky zobrazuje maximální teplotu a rychlost odstředování pro nastavený program nebo poslední zvolené hodnoty, jsou-li kompatibilní se zvoleným programem. Stisknutím tlačítka  je možné postupně snížit teplotu až po praní ve studené vodě "OFF". Stisknutím tlačítka  je možné postupně snížit rychlost odstředování až po jeho úplné vyloučení "OFF". Další stisknutí tlačítka obnoví nastavení maximálních přednastavených hodnot.

! Výjimka: při volbě programu 4 bude možné zvýšit teplotu až na 90°C.


Nastavení odloženého startu.


Pro nastavení odloženého startu zvoleného programu stiskněte příslušné tlačítko až do dosažení požadované doby odložení. Když je tato volitelná funkce aktivní, na displeji se rozsvítí symbol . Pro zrušení odloženého startu je třeba tisknout tlačítko, dokud se na displeji nezobrazí nápis "OFF".

Nastavte požadovanou intenzitu praní.

Tlačítko  umožňuje provést optimalizaci praní na základě stupně znečištění tkanin a požadované intenzity praní.

Zvolte program praní; cyklus bude automaticky nastaven na úroveň "Normal" (Normální) a bude provedena jeho optimalizace pro středně znečištěné prádlo (toto nastavení neplatí pro cyklus „Vlna“, který se automaticky nastaví na úroveň "Delicate" [Jemné]).

Pro značně znečištěné prádlo stiskněte tlačítko , dokud nebude nastavena úroveň "Intensive" (Intenzivní). Tato úroveň zaručuje dokonalé praní díky použití většího množství vody v počáteční fázi cyklu a větší mechanický pohyb a je užitečná pro odstranění nejodolnějších skvrn. Může se používat s bělicím prostředkem nebo bez něj. Když si přejete

provést bělení, vložte přídatnou nádobku 4 z příslušenství do přihrádky 1. Při dávkování bělicího prostředku nepřekračujte úroveň „max“, vyznačenou na středovém čepu (viz obrázek na str. 22). Pro mírně znečištěné prádlo nebo pro choulostivější zacházení s látkami stiskněte tlačítko  až po dosažení úrovně "Delicate" (Jemné). Cyklus omezí mechanický pohyb pro zajištění dokonalých výsledků praní u choulostivého prádla.


Změna vlastností cyklu.

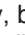
- Stiskněte tlačítka aktivace volitelné funkce; dojde k rozsvícení odpovídající kontrolky tlačítka.
- Opětovným stisknutím můžete zvolenou volitelnou funkci zrušit; příslušná kontrola zhasne.


! V případě, že zvolená volitelná funkce není kompatibilní s nastaveným pracím programem, kontrolka začne blikat a volitelná funkce nebude aktivována.


! Když zvolená volitelná funkce není kompatibilní s některou z již nastavených volitelných funkcí, kontrolka první zvolené funkce bude blikat a bude aktivována pouze druhá; kontrolka aktivované volitelné funkce se rozsvítí.

! Volitelné funkce mohou změnit doporučenou náplň a/nebo dobu trvání cyklu.

- 7. SPUSŤTE PROGRAM.** Stiskněte tlačítko START/PAUSE. Příslušná kontrolka se rozsvítí stálým modrým světlem a dojde k zablokování dvířek (rozsvícený symbol ZABLOKOVANÁ DVÍŘKA ). Za účelem změny programu během probíhajícího cyklu přerušete činnost pračky stisknutím tlačítka START/PAUSE (kontrolka START/PAUSE bude pomalu blikat oranžovým světlem); zvolte požadovaný cyklus a znovu stiskněte tlačítko START/PAUSE.

Za účelem otevření dvířek v průběhu pracího cyklu stiskněte tlačítko START/PAUSE; když bude symbol ZABLOKOVANÁ DVÍŘKA  zhasnutý, bude možné otevřít dvířka. Opětovným stisknutím tlačítka START/PAUSE znovu uveďte do činnosti prací program z bodu, ve kterém byl přerušen.

- 8. UKONČENÍ PROGRAMU.** Bude oznámeno zobrazením nápisu "END" na displeji. Po zhasnutí symbolu ZABLOKOVANÁ DVÍŘKA  bude možné otevřít dvířka. Otevřete dvířka, vyložte prádlo a vypněte zařízení.

! Přejete-li si zrušit již zahájený cyklus, stiskněte déle tlačítko . Cyklus bude přerušena a dojde k vypnutí zařízení.

Programy a volitelné funkce

Tabulka programů

Programy	Popis programu	Max. teplota (°C)	Max. rychlost (otáčky za minutu)	Prací prostředky a přídatné prostředky				Max. náplň (kg)	Zbytková vlhkost %	Spotřeba energie kWh	Celkové množství vody lt	Doba trvání cyklu
				Před-pírka	Praní	Bélicí prostředek	Aviváž					
CLEAN Plus												
1	Odstraňování Skvrn	40°	1200	●	●	-	●	3	-	-	-	170'
2	Odstraňování Skvrn Rychlý	40°	1200	-	●	-	●	2,5	-	-	-	60'
3	Bílé prádlo	60°	1200	●	●	-	●	3	-	-	-	165'
4	Standardní programy pro bavlnu 60°C (1): Silně znečištěné bílé a barevné prádlo z odolných tkanin.	60° (Max. 90°)	1200	●(3)	●	●	●	6	53	0.78	50	200'
5	Standardní programy pro bavlnu 40°C (2): Málo znečištěné bílé a barevné prádlo z odolných tkanin.	40°	1200	-	●	●	●	6	53	0.65	65	170'
6	Syntetické: Velmi znečištěné barevné prádlo z odolných tkanin.	60°	800	●	●	●	●	3	44	0.70	44	105'
6	Syntetické (4): Málo znečištěné barevné prádlo z odolných tkanin.	40°	800	●	●	●	●	3	44	0.47	38	95'
SPECIALS												
7	Antialergenní Plus	60°	1200	-	●	●	●	3	-	-	-	165'
8	Antialergenní Jemné	40°	1200	-	●	●	●	3	-	-	-	180'
9	Vlna: Pro vlnu, kašmír apod.	40°	800	-	●	-	●	1	-	-	-	65'
10	Choulostivé prádlo	30°	0	-	●	-	●	0,5	-	-	-	75'
ECO												
11	Standardní programy pro bavlnu 20°C: Málo znečištěné bílé a barevné prádlo z odolných tkanin.	20°	1200	-	●	●	●	6	-	-	-	170'
12	Bavlna	Studená voda	1200	-	●	-	●	6	53	0.15	54	80'
13	Syntetické	Studená voda	800	-	●	-	●	2,5	48	0.06	25	70'
14	Rychlé Praní 30'	Studená voda	800	-	●	-	●	2,5	71	0.04	32	30'
Programy Částečné												
	Máchání	-	1200	-	-	-	●	6	-	-	-	36'
	Odštěďování + Odčerpání vody	-	1200	-	-	-	-	6	-	-	-	10'
	Samostatné odčerpání vody *	-	OFF	-	-	-	-	6	-	-	-	3'

* V případě volby programu a vyloučení odštěďování zařízení provede pouze odčerpání vody.

Doba trvání cyklu uvedená na displeji nebo v návodu představuje odhad vypočítaný na základě standardních podmínek. Skutečná doba se může měnit v závislosti na četných faktorech, jako je např. teplota a tlak vody na vstupu, teplota prostředí, množství pracího prostředku, množství a druh náplně, vyvážení náplně a zvolené volitelné funkce.

1) Kontrolní program podle normy 1061/2010: nastavte program 4 s teplotou 60°C.

Tento cyklus je vhodný pro praní běžně znečištěné bavlny a jedná se o neúčinnější cyklus z hlediska kombinované spotřeby energie a vody určený pro prádlo, které lze prát při teplotě do 60 °C. Skutečná teplota praní se může lišit od uvedeného.

2) Kontrolní program podle normy 1061/2010: nastavte program 5 s teplotou 40°C.

Tento cyklus je vhodný pro praní běžně znečištěné bavlny a jedná se o neúčinnější cyklus z hlediska kombinované spotřeby energie a vody určený pro prádlo, které lze prát při teplotě do 40 °C. Skutečná teplota praní se může lišit od uvedeného.

3) Při teplotě 60 °C nelze funkci "Předpírka" aktivovat.

Pro všechny Test Institutes:

2) Dlouhý program pro praní bavlny: nastavte program 5 s teplotou 40°C.

4) Dlouhý program pro syntetiku: nastavte program 6 s teplotou 40°C.

Volitelné funkce praní

! V případě, že zvolená volitelná funkce není kompatibilní s nastaveným pracím programem, kontrolka začne blikat a volitelná funkce nebude aktivována.

! Když zvolená volitelná funkce není kompatibilní s některou z již nastavených volitelných funkcí, kontrolka první zvolené funkce bude blikat a bude aktivována pouze druhá; kontrolka aktivované volitelné funkce se rozsvítí.

Předpírka

Volbou této funkce dojde k provedení předpírky, užitečné pro odstranění odolných skvrn.

POZN.: Přidejte prací prostředek do příslušné přihrádky.

Extra Máchání

Volbou této volitelné funkce se zvýší účinnost máchání a zajistí se maximální stupeň odstranění pracího prostředku. Je užitečná zejména pro mimořádně citlivé pokožky.

Prací prostředky a prádlo

CZ

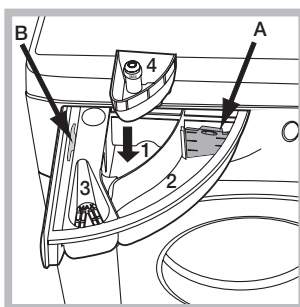
Dávkovač pracích prostředků

Dobry výsledek praní závisí také na správném dávkování pracího prostředku: použití jeho nadměrného množství snižuje efektivitu praní a napomáhá tvorbě vodního kamene na vnitřních částech pračky a zvyšuje znečištění životního prostředí.

! Pro předpírku a praní při teplotě vyšší než 60 °C používejte práškové prací prostředky pro bílé bavlněné prádlo.

! Dodržujte pokyny uvedené na obalu pracího prostředku.

! Nepoužívejte prací prostředky určené pro ruční praní, protože způsobují tvorbu nadměrného množství pěny.



Při vytahování dávkovače pracích prostředků a při jeho plnění pracími nebo přídatnými prostředky postupujte následovně.

Příhrádka 1: Prací prostředek (práškový) pro předpírku

Před naplněním příhrádky pracím prostředkem se

ujistěte, že v dávkovači není vložena přídatná příhrádka 4.

Příhrádka 2: Prací prostředek (v prášku nebo tekutý)

V případě použití tekutého pracího prostředku se doporučuje použít pro správné dávkování malou přepážku **A** z příslušenství. Pro použití práškového pracího prostředku vložte malou přepážku do prohloubeniny **B**.

Příhrádka 3: Přídatné prostředky (aviváž atd.)

Aviváž nesmí vytékat z mřížky.

Přídatná příhrádka 4: Bělicí prostředek

Příprava prádla

- Roztřídte prádlo podle:
 - druhu tkaniny / symbolu na visače.
 - barvy: oddělte barevné prádlo od bílého.
- Vyprázdněte kapsy a zkontrolujte knoflíky.
- Nepřekračujte povolenou náplň, vztahující se na hmotnost suchého prádla: viz "Tabulka programů".

Kolik váží prádlo?

- 1 prostěradlo 400-500 g
- 1 povlak na polštář 150-200 g
- 1 ubrus 400-500 g
- 1 župan 900-1.200 g
- 1 ručník 150-250 g

Speciální programy

Odstraňování Skvrn: cyklus **1** vhodný pro praní značně znečištěného prádla s odolnými barvami. Tento program zaručuje vyšší třídu praní než standardní třída (třída A). Při použití tohoto programu nemíchejte spolu prádlo různých barev. Doporučuje se použití práškového pracího prostředku. Pro odolné skvrny se doporučuje provést předošetení specifickými přídatnými prostředky.

Odstraňování Skvrn Rychlý: tento program byl navržen pro vyprání prádla s každodenními skvrnami, včetně těch

nejodolnějších, v průběhu jedné hodiny. Je vhodný pro prádlo ze smíšených vláken, u nichž zaručuje maximální ohleduplnost.

Bílé prádlo: použijte cyklus **3** pro praní bílého prádla. Program je navržen pro dlouhodobé zachování zářivosti bílé barvy. Pro dosažení nejlepších výsledků se doporučuje použít práškový prací prostředek.

Antialergenní Plus: použijte program **7** pro odstranění hlavních alergenů, jako jsou pyl, roztoči a kočičí a psí chlupy.

Antialergenní Jemné: cyklus navržený pro prádlo z bavlny a jiných odolných tkanin, který zaručuje odstranění pylu a psích a kočičích chlupů již při 40°C.

Vlna: prací cyklus „Vlna“ této pračky byl schválen společností Woolmark Company pro praní prádla z vlny, které je klasifikováno jako „prádlo určené pro ruční praní“, za podmínky, že bude praní provedeno v souladu s pokyny uvedenými na visače oblečení a pokyny dodanými výrobcem této pračky. (M1128)



Choulostivé prádlo: pro praní velmi choulostivého prádla, které obsahuje aplikace, jako je štras nebo pajetky, použijte program **10**.

Pro praní **hedvábného** prádla a **záclon** zvolte cyklus **10** a nastavte úroveň "Delicate" (Jemné) volitelné funkce. Doporučuje se prádlo před praním převrátit naruby a vložit malé kusy prádla do příslušného sáčku pro praní choulostivého prádla.

Pro dosažení nejlepších výsledků se doporučuje použít tekutý prací prostředek pro choulostivé prádlo.

Eko programy

Programy Eko nabízejí dobrou výkonnost praní při nízkých teplotách, přičemž umožňují nižší použití elektrické energie s výhodami pro životní prostředí i pro finanční úsporu.

Programy Eco (**12** Bavlna, **13** Syntetické a **14** Rychlé praní 30') byly vytvořeny pro různé druhy tkanin a pro mírně znečištěné prádlo. Pro zajištění optimálního výsledku doporučujeme použít tekutý prací prostředek; doporučuje se předběžně ošetřit manžety, límce a skvrny.

Standardní programy pro bavlnu 20°C ideální pro náplně ze znečištěné bavlny. Dobrá výkonnost i za studena, srovnatelná s praním při 40 °C, je zaručena mechanickým působením, které je založeno na změně rychlosti v krátkých nebo dlouhých intervalech.

System automatického vyvážení náplně

Před každým odstředováním buben provede otáčení rychlostí lehce převyšující rychlost praní, aby se odstranily vibrace a aby se náplň rovnoměrně rozložila. V případě, že po několiknásobných pokusech o vyvážení prádlo ještě nebude správně vyváženo, zařízení provede odstředování nižší rychlostí, než je přednastavená rychlost. Při nadměrném nevyvážení pračka provede namísto odstředování vyvážení. Pro dosažení rovnoměrnějšího rozložení náplně a jejího správného vyvážení se doporučuje míchat velké a malé kusy prádla.

Může se stát, že pračka nebude fungovat. Dříve, než zatelefonujete na Servisní službu (viz "Servisní služba"), zkontrolujte, zda se nejedná o problém, který lze snadno vyřešit s pomocí následujícího seznamu.

Poruchy:

Pračku nelze zapnout.

Možné příčiny / Způsob jejich odstranění:

- Zástrčka není zasunuta v zásuvce nebo není zasunuta natolik, aby došlo ke spojení kontaktů.
- V celém domě je vypnutý proud.

Nedochází k zahájení pracího cyklu.

- Nejsou řádně zavřená dvířka.
- Nebylo stisknuto tlačítko ON/OFF.
- Nebylo stisknuto tlačítko START/PAUSE.
- Nebyl otevřen kohout přívodu vody.
- Byla nastavena doba opoždění startu.

Nedochází k napouštění vody do pračky (na displeji je zobrazen blikající nápis "H2O").

- Přívodní hadice není připojena k vodovodnímu kohoutu.
- Hadice je příliš ohnutá.
- Nebyl otevřen kohout přívodu vody.
- V celém domě je uzavřený přívod vody.
- V rozvodu vody není dostatečný tlak.
- Nebylo stisknuto tlačítko START/PAUSE.

Dochází k nepřetržitému napouštění a odčerpávání vody.

- Vypouštěcí hadice se nachází mimo určené rozmezí od 65 do 100 cm nad zemí (viz "Instalace").
- Koncová část vypouštěcí hadice je ponořena ve vodě (viz "Instalace").
- Odpad ve stěně není vybaven odvodušňovacím otvorem.

Když ani po uvedených kontrolách nedojde k odstranění problému, uzavřete přívod vody, vypněte pračku a přivolejte Servisní službu. V případě, že se byt nachází na jednom z nejvyšších poschodí, je možné, že dochází k sifonovému efektu, jehož následkem pračka nepřetržitě napouští a odčerpává vodu. Pro odstranění uvedeného efektu jsou v prodeji běžně dostupné speciální protisifonové ventily.

Nedochází k vyčerpání vody nebo k odstředování.

- Odčerpání vody tvoří součást nastaveného programu: u některých programů je potřebné jejich manuální uvedení do činnosti.
- Vypouštěcí hadice je ohnutá (viz "Instalace").
- Odpadové potrubí je ucpané.

Během odstředování je možné pozorovat silné vibrace pračky.

- Během instalace nebyl buben odjištěn předepsaným způsobem (viz "Instalace").
- Pračka není dokonale vyrovnaná do vodorovné polohy (viz "Instalace").
- Pračka je stlačena mezi nábytkem a stěnou (viz "Instalace").

Dochází k úniku vody z pračky.

- Přítoková hadice není správně zašroubována (viz "Instalace").
- Dávkovač pracích prostředků je ucpan (způsob jeho vyčištění je uveden v části "Údržba a péče").
- Vypouštěcí hadice není upevněna předepsaným způsobem (viz "Instalace").

Kontrolky "Volitelné funkce" a kontrolka "START/PAUSE" blikají a na displeji je zobrazen kód poruchy (např.: F-01, F-..).

- Vypněte zařízení a vytáhněte zástrčku ze zásuvky, vyčkejte přibližně 1 minutu a zařízení znovu zapněte.
- Když porucha přetrvává, obraťte se na servisní službu.

Dochází k tvorbě nadměrného množství pěny.

- Použitý prací prostředek není vhodný pro použití v automatické pračce (musí obsahovat označení "pro praní v pračce", "pro ruční praní nebo pro praní v pračce" nebo podobné označení).
- Bylo použito nadměrné množství pracího prostředku.

Servisní služba

CZ

Před přivoláním Servisní služby:

- Zkontrolujte, zda nejste schopni poruchu odstranit sami (viz "Poruchy a způsob jejich odstranění");
- Znovu uveďte do chodu prací program, abyste ověřili, zda byla porucha odstraněna;
- V záporném případě se obraťte na středisko servisní služby.

! Nikdy se neobracejte s žádostí o pomoc na techniky, kteří nejsou k výkonu této činnosti oprávněni.

Při hlášení poruchy uveďte:

- druh poruchy;
- model zařízení (Mod.);
- výrobní číslo (S/N).

Tyto informace jsou uvedeny na štítku aplikovaném na zadní části pračky a v její přední části, dostupné po otevření dvířek.

NAŘÍZENÍ KOMISE V PŘENESENÉ PRÁVOMOCI (EU) č. 1061/2010

Značka	HOTPOINT/ARISTON
Model	FMSGN 623 CZ
Jmenovitá kapacita bavlněné látky v kg	6.0
Třída energetické účinnosti na stupnici A+++ (nejnižší spotřeba) až G (vysoká spotřeba)	A+++
Roční spotřeba energie v kWh ¹⁾	152.0
Spotřeba energie standardního programu pro bavlnu pro praní při 60 °C s celou náplní v kWh ²⁾	0.789
Spotřeba energie standardního programu pro bavlnu pro praní při 60 °C s poloviční náplní v kWh ²⁾	0.563
Spotřeba energie standardního programu pro bavlnu pro praní při 40 °C s poloviční náplní v kWh ²⁾	0.534
Vážená spotřeba energie ve vypnutém stavu ve W	0.5
Vážená spotřeba energie v režimu ponechání v zapnutém stavu ve W	8.0
Roční spotřeba vody v litrech ³⁾	8391
Třída účinnosti sušení odstřeďováním na stupnici od G (nejmenší účinnost) do A (nejvyšší účinnost)	B
Maximální otáčky při odstřeďování ⁴⁾	1200
Zbytkový obsah vlhkosti v % ⁵⁾	53%
Trvání „standardního programu pro bavlnu pro praní při 60 °C“ s celou náplní v minutách.	200
Trvání „standardního programu pro bavlnu pro praní při 60 °C“ s poloviční náplní v minutách.	150
Trvání „standardního programu pro bavlnu pro praní při 40 °C“ s poloviční náplní v minutách.	145
Trvání režimu ponechání v zapnutém stavu v minutách	30
Emise hluku v dB(A) re 1 pW během praní ⁶⁾	62
Emise hluku v dB(A) re 1 pW během odstřeďování ⁶⁾	80
Vestavný spotřebič	

¹⁾ Standardní program pro bavlnu pro praní při 60 °C s celou náplní a poloviční náplní a standardní program pro bavlnu pro praní při 40 °C s poloviční náplní jsou standardní prací programy, na které se vztahují informace uvedené na energetickém štítku a v informačním listu. Tyto programy jsou vhodné pro praní běžně znečištěného bavlněného prádla a jedná se o neúčinnější programy z hlediska kombinované spotřeby energie a vody.

²⁾ Na základě 220 standardních pracích cyklů s programy pro bavlnu pro praní při 60 °C a 40 °C s celou a poloviční náplní a spotřeba v režimech s nízkou spotřebou energie. Skutečná spotřeba energie bude záviset na tom, jak je spotřebič používán.

³⁾ Na základě 220 standardních pracích cyklů s programy pro bavlnu pro praní při 60 °C a 40 °C s celou a poloviční náplní. Skutečná spotřeba vody bude záviset na tom, jak je spotřebič používán.

⁴⁾ U standardního programu pro bavlnu pro praní při 60 °C s celou náplní nebo u standardního programu pro bavlnu pro praní při 40 °C s poloviční náplní podle toho, která hodnota je menší.

⁵⁾ U standardního programu pro bavlnu pro praní při 60 °C s celou náplní nebo u standardního programu pro bavlnu pro praní při 40 °C s poloviční náplní podle toho, která hodnota je větší.

⁶⁾ Během fází praní a odstřeďování u standardního programu pro bavlnu pro praní při 60 °C s celou náplní.

SK

Slovensky

FMSGN 623

Obsah

Inštalácia, 26-27

Rozbalenie a vyrovnanie do vodorovnej polohy
Pripojenie k elektrickej a k vodovodnej sieti
Prvý prací cyklus
Technické údaje

Údržba a starostlivosť, 28

Uzavretie prívodu vody a vypnutie elektrického napájania
Čistenie práčky
Čistenie dávkovača pracích prostriedkov
Starostlivosť o dvierka a bubon
Čistenie čerpadla
Kontrola prítokovej hadice na vodu

Opatrenia a rady, 29

Základné bezpečnostné pokyny
Likvidácia
Manuálne otvorenie dvierok

Popis práčky, 30-31

Ovládací panel
Displej

Ako vykonať prací cyklus, 32

Programy a voliteľné funkcie, 33

Tabuľka pracích programov
Voliteľné funkcie prania

Pracie prostriedky a prádlo, 34

Dávkovač pracích prostriedkov
Príprava prádla
Špeciálne programy
Systém automatického vyváženia náplne

Poruchy a spôsob ich odstránenia, 35

Servisná služba, 36

Inštalácia

SK

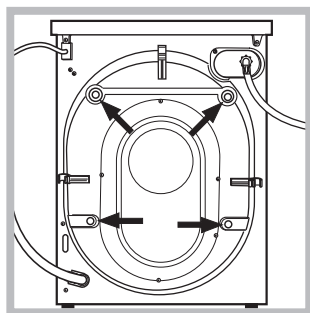
! Je veľmi dôležité uschovať tento návod kvôli prípadnému ďalšiemu použitiu. V prípade predaja, darovania alebo presťahovania práčky sa uistite, že zostane uložený v jej blízkosti, aby mohol poslúžiť novému majiteľovi pri oboznámení sa s činnosťou a s príslušnými upozoreniami.

! Pozorne si prečítajte uvedené pokyny: obsahujú dôležité informácie, týkajúce sa inštalácie, použitia a bezpečnosti pri práci.

Rozbalenie a vyrovnanie do vodorovnej polohy

Rozbalenie

1. Rozbaľte práčku.
2. Skontrolujte, či počas prepravy nedošlo k jej poškodeniu. V prípade, že je poškodená, nezapájajte ju a obráťte sa na predajcu.



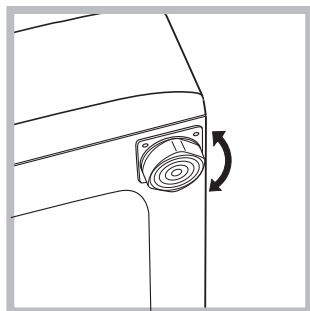
3. Odstráňte 4 skrutky slúžiace na ochranu počas prepravy a gumovú podložku s príslušným dištančným členom, ktoré sa nachádzajú v zadnej časti (vid' obrázok).

4. Uzatvorte otvory po skrutkách plastovými krytkami z príslušenstva.
5. Uschovajte všetky diely: v prípade opätovnej prepravy práčky ich bude potrebné opätovne namontovať.

! Obaly nie sú hračky pre deti!

Vyrovnanie do vodorovnej polohy

1. Práčku je potrebné umiestniť na rovnú a pevnú podlahu tak, aby nebola opretá o stenu, nábytok alebo o niečo iné.



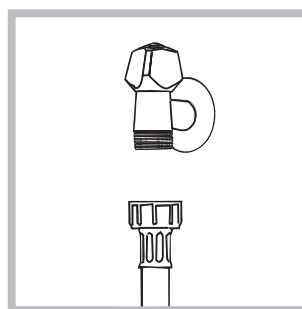
(vid' obrázok); Uhol sklonu, nameraný na pracovnej ploche, nesmie presiahnuť 2°.

2. V prípade, že podlaha nie je dokonale vodorovná, môžu byť prípadné rozdiely vykompenzované odskrutkovaním alebo zaskrutkovaním predných nožičiek

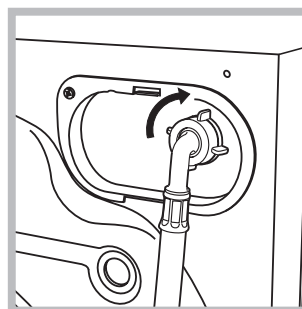
Dokonalé vyrovnanie do vodorovnej polohy zabezpečí stabilitu zariadenia a zamedzí vzniku vibrácií a hluku počas činnosti. V prípade inštalácie na podlahovú krytinu alebo na koberec, nastavte nožičky tak, aby pod práčkou zostal dostatočný voľný priestor na ventiláciu.

Pripojenie k elektrickej a k vodovodnej sieti

Pripojenie prítokovej hadice vody



1. Pripojte prívodnú hadicu jej zaskrutkovaním ku kohútiku so studenou vodou, s hrdlom so závitom 3/4" (vid' obrázok). Pred pripojením hadice nechajte vodu odtečť, až kým nebude číra.



2. Pripojte prítokovú hadicu k práčke, jej zaskrutkovaním k príslušnej prípojke na vodu, umiestnenej vpravo hore (vid' obrázok).

3. Zabezpečte, aby hadica nebola príliš ohnutá alebo stlačená.

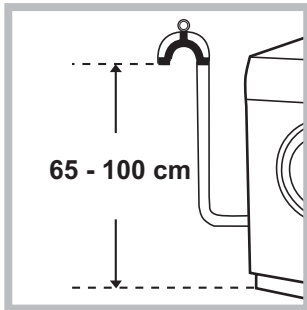
! Tlak v rozvode vody sa musí pohybovať v rozmedzí hodnôt uvedených v tabuľke s technickými údajmi (vid' vedľajšia strana).

! V prípade, že dĺžka prítokovej hadice nebude dostatočná, obráťte sa na špecializovanú predajňu alebo na autorizovaný technický personál.

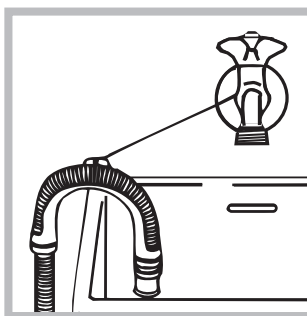
! Nikdy nepoužívajte už použité hadice.

! Používajte hadice z príslušenstva zariadenia.

Pripojenie vypúšťacej hadice



Pripojte vypúšťaciu hadicu k odpadovému potrubiu alebo k odpadu v stene, nachádzajúcom sa od 65 do 100 cm nad zemou; jednoznačne zamedzte jej ohybu.



alebo ju uchyťte k okraju umývadla či vane, a pripevnite vodiaci držiak z príslušenstva ku kohútu (vid' obrázok). Voľný koniec vypúšťacej hadice nesmie zostať ponorený do vody.

! Použitie predlžovacích hadíc sa neodporúča; ak je však nevyhnutné, predlžovacia hadica musí mať rovnaký priemer ako originálna hadica a jej dĺžka nesmie presiahnuť 150 cm.

Pripojenie k elektrickej sieti

Pred zasunutím zástrčky do zásuvky sa uistite, že:

- zásuvka je uzemnená a že vyhovuje normám;
- zásuvka je schopná uniesť maximálnu záťaž odpovedajúcu menovitému príkonu zariadenia, uvedenému v tabuľke s technickými údajmi (vid' vedľa);
- hodnota napájacieho napätia odpovedá údajom uvedeným v tabuľke s technickými údajmi (vid' vedľa);
- zásuvka je kompatibilná so zástrčkou práčky. V opačnom prípade je potrebné vymeniť zásuvku alebo zástrčku.

! Práčka nesmie byť umiestnená vonku – pod holým nebom, a to ani v prípade, keby sa jednalo o miesto chránené pred nepriazňou počasia, pretože je veľmi nebezpečné vystaviť ju dažďu a búrkam.

- ! Po ukončení inštalácie musí zásuvka zostať ľahko prístupná.
- ! Nepoužívajte predlžovacie káble a rozvodky.
- ! Kábel nesmie byť ohnutý alebo pritlačený.
- ! Výmena kábla musí byť zverená výhradne autorizovanému technickému personálu.

Upozornenie! Výrobca neponesie žiadnu zodpovednosť za následky spôsobené nerešpektovaním týchto pokynov.

Prvý prací cyklus

Po inštalácii zariadenia je potrebné ešte pred jeho použitím vykonať jeden skúšobný cyklus s práčim prostriedkom a bez náplne prádla, nastavením pracieho programu „Samočistenie“ (vid' „Čistenie práčky“).

Technické údaje	
Model	FMSGN 623
Rozmery	šírka 59,5 cm výška 85 cm hĺbka 42,5 cm
Kapacita	od 1 do 6 kg
Elektrické zapojenie	Vid štítok s technickými údajmi, aplikovaný na zariadení.
Pripojenie k rozvodu vody	maximálny tlak 1 MPa (10 bar) maximálny tlak 0,05 MPa (0.5 bar) kapacita bubna 40 litrov
Rýchlosť otáčania	a±z do 1200 otáčok za minútu
Kontrolné programy podľa smerníc 1061/2010 a 1015/2010	program 4; štandardné programy pre bavlnu 60°C; program 5; štandardné programy pre bavlnu 40°C.
	Toto zariadenie je v zhode s nasledujúcimi smernicami Európskej únie: - 2004/108/CE (Elektromagnetická kompatibilita) - 2006/95/CE (Nízke napätie) - 2012/19/EU

Údržba a starostlivosť

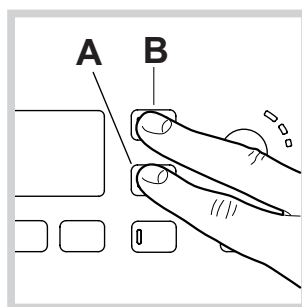
SK

Uzavretie prívodu vody a vypnutie elektrického napájania

- Po každom praní uzatvorte prívod vody. Týmto spôsobom sa znižuje opotrebenie rozvodu vody zariadenia a znižuje sa nebezpečenstvo úniku vody.
- Pred zahájením čistenia práčky a počas údržby je potrebné vytiahnuť zástrčku prívodného kábla zo zásuvky.

Čistenie práčky

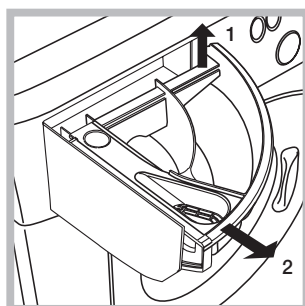
- Vonkajšie časti a časti z gumy môžu byť čistené utierkou navlhčenou vo vlažnej vode a saponáte. Nepoužívajte rozpúšťadlá alebo abrazívne prostriedky.
- Práčka je vybavená programom „Samočistenie“ pre vyčistenie vnútorných častí, ktorý musí byť vykonaný **bez akéhokoľvek druhu náplne v bubne**.



Prací prostriedok (množstvo rovnajúce sa 10% množstva odporúčaného pre čiastočne znečistené prádlo) alebo špecifické prídavné prostriedky pre čistenie práčky budú môcť byť použité ako

pomocné prostriedky v pracom programe. Odporúča sa vykonať samočistiaci program každých 40 cyklov prania. Pre aktiváciu programu stlačte súčasne tlačidlá **A** a **B** na dobu 5 sekúnd (vid' obrázok). Program bude zahájený automaticky a bude trvať približne 70 minút. Cyklus je možné ukončiť stlačením tlačidla START/PAUSE.

Čistenie dávkovača pracích prostriedkov



Vytiahnite dávkovač jeho nadvihnutím a vytiahnutím smerom von (vid' obrázok). Dávkovač umyte pod prúdom vody; toto čistenie je potrebné vykonávať pravidelne.

Starostlivosť o dvierka a bubon

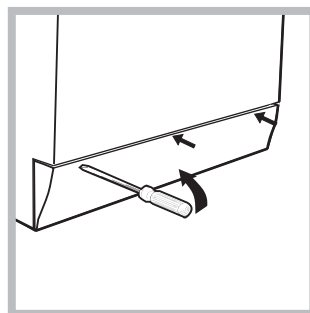
- Dvierka ponechajte zakaždým pootvorené, aby sa zabránilo tvorbe nepríjemných zápachov.

Čistenie čerpadla

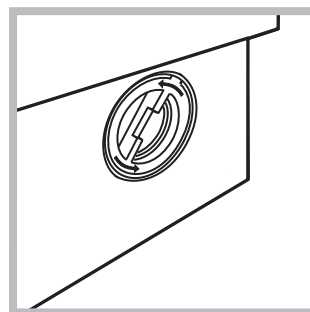
Súčasťou práčky je samočistiace čerpadlo, ktoré nevyžaduje údržbu. Môže sa však stať, že sa v jeho vstupnej ochrannnej časti, nachádzajúcej na spodku, zachytia drobné predmety (mince, gombíky).

! Uistite sa, že prací cyklus bol ukončený a vytiahnite zástrčku zo zásuvky.

Prístup k vstupnej časti čerpadla:



1. pomocou skrutkovača odstráňte krycí panel, nachádzajúci sa v prednej časti práčky (vid' obrázok);



2. odskrutkujte veko otáčaním proti smeru hodinových ručičiek (vid' obrázok): vytečenie malého množstva vody je úplne bežným javom;

- dokonale vyčistíte vnútro;
- nasadte naspäť veko;
- namontujte naspäť krycí panel, pričom sa pred jeho prisunutím k práčke uistite, že došlo k správnejmu zachyteniu háčikov do príslušných otvorov.

Skontrolujte prítokovú hadicu vodu

Stav prítokovej hadice je potrebné skontrolovať aspoň raz ročne. Ak sú na nej viditeľné praskliny alebo trhliny, je potrebné ju vymeniť: silný tlak v hadici počas pracieho cyklu by mohol spôsobiť jej náhle roztrhnutie.

! Nikdy nepoužívajte už použité hadice.

! Práčka bola navrhnutá a vyrobená v súlade s platnými medzinárodnými bezpečnostnými predpismi. Tieto upozornenia sú uvádzané z bezpečnostných dôvodov a je potrebné si ich pozorne prečítať.

Základné bezpečnostné pokyny

- Toto zariadenie bolo navrhnuté výhradne na použitie ako spotrebič.
- Toto zariadenie smú používať deti od 8 rokov, osoby náležite vyškolené ohľadne bezpečného použitia zariadenia, ktoré si uvedomujú súvisiace nebezpečenstvo a v prípade dozoru aj osoby so zníženými fyzickými, sensorickými alebo duševnými schopnosťami alebo osoby s nedostatočnými skúsenosťami a znalosťami. Deti sa so zariadením nesmú hrať. Operácie údržby a čistenia nesmú vykonávať deti bez dohľadu.
- Práčku môžu používať len dospelé osoby, podľa pokynov uvedených v tomto návode.
- Nedotýkajte sa zariadenia bosí, alebo v prípade, keď máte mokré ruky alebo nohy.
- Nevytahujte zástrčku zo zásuvky ťahaním za kábel, ale uchopením za zástrčku.
- Neotvárajte dávkovač pracích prostriedkov počas činnosti zariadenia.
- Nedotýkajte sa odčerpávanej vody, pretože môže mať veľmi vysokú teplotu.
- V žiadnom prípade sa nepokúšajte o násilné otvorenie dvierok: mohlo by dôjsť k poškodeniu bezpečnostného uzáveru, ktorý zabraňuje náhodnému otvoreniu.
- Pri výskyte poruchy sa v žiadnom prípade nepokúšajte o opravu vnútorných častí zariadenia.
- Vždy majte pod kontrolou deti a zabráňte tomu, aby sa približovali k zariadeniu počas pracieho cyklu.
- Počas pracieho cyklu majú dvierka tendenciu zohrievať sa.
- Ak je potrebné ju presunúť, je dobré poveriť dve alebo tri osoby a vykonať to s maximálnou pozornosťou. Nikdy sa nepokúšajte zariadenie premiestňovať sami, pretože je veľmi ťažké.
- Pred zahájením vkladania prádla skontrolujte, či je bubon prázdny.

Likvidácia

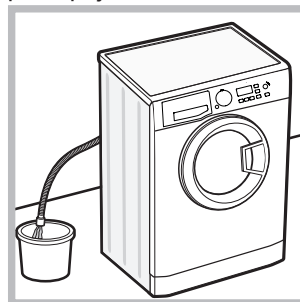
- Likvidácia obalových materiálov: pri ich odstránení postupujte v súlade s miestnymi predpismi a dbajte na možnú recykláciu.
- Európska smernica 2012/19/EU o odpade tvorenom elektrickými a elektronickými zariadeniami predpokladá, že elektrospotrebiče nesmú byť likvidované v rámci bežného pevného komunálneho odpadu. Vyrazené zariadenia musia byť zozbierané osobitne za účelom zvýšenia počtu recyklovaných a znovu použitých materiálov, z ktorých sa skladajú a zabráneniu možných ublížení na zdraví a škôd na životnom prostredí. Symbolom je preškrtnutý kôš uvedený na všetkých výrobkoch, s cieľom pripomenúť povinnosti spojené so separovaným zberom. Podrobnejšie informácie týkajúce sa správneho

spôsobu vyradenia elektrospotrebičov z prevádzky môžu ich držitelia získať od poverenej verejnej inštitúcie alebo na predajcu.

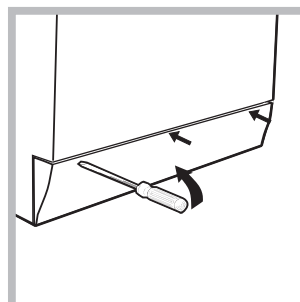
SK

Manuálne otvorenie dvierok

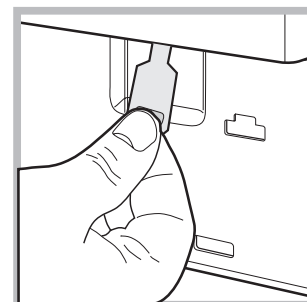
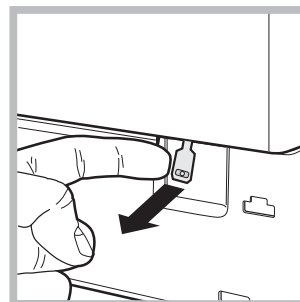
V prípade, ak nie je možné otvoriť dvierka z dôvodu výpadku elektrickej energie a chceli by ste vybrať prádlo, postupujte nasledovne:



1. vytiahnite zástrčku zo zásuvky elektrickej siete.
2. Skontrolujte, či je hladina vody vo vnútri zariadenia nižšia ako je úroveň otvorenia dvierok; ak nie je, vypustite prebytočnú vodu vypúšťacou hadicou a zachyťte ju do vedra, ako je znázornené na obrázku.



3. pomocou skrutkovača odstráňte krycí panel nachádzajúci sa v prednej časti práčky (vid' obrázok).

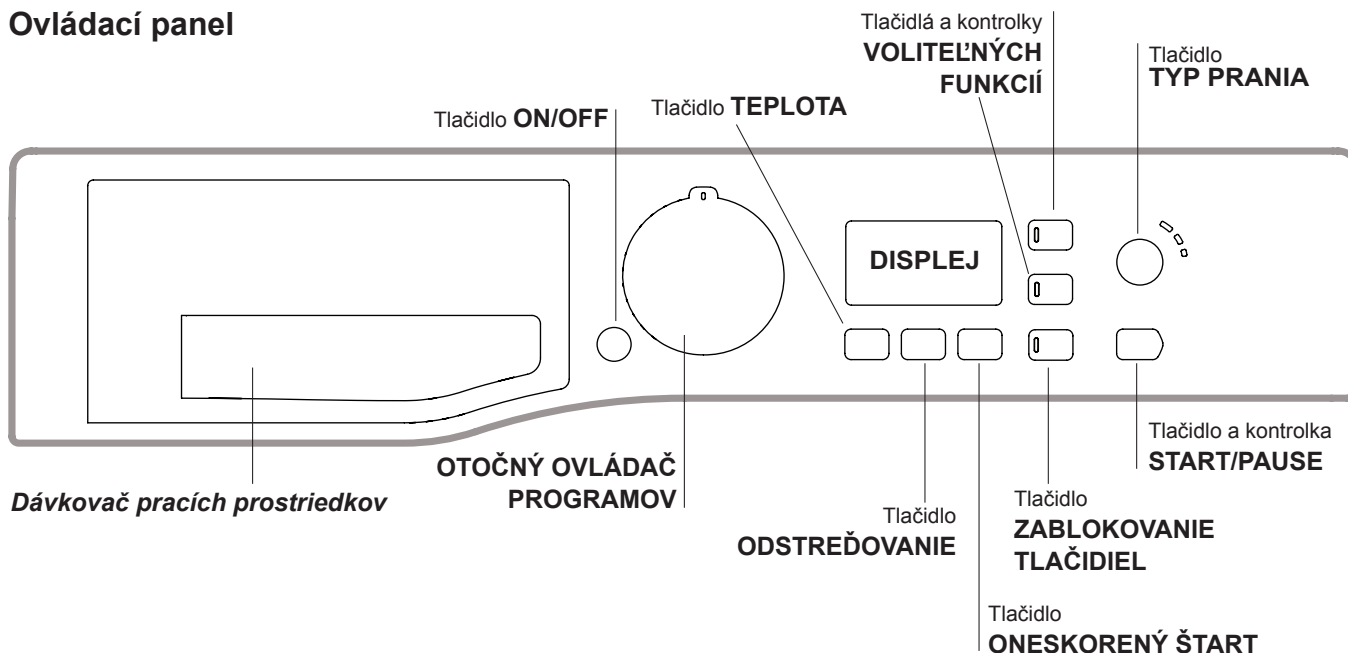


4. pomocou jazýčka, označeného na obrázku, potiahnite plastové ťahlo smerom von z dorazu, až kým sa neuvolní; následne ho potiahnite smerom dolu a súčasne otvorte dvierka.
5. namontujte naspäť krycí panel, pričom sa pred jeho prisunutím k práčke uistite, že došlo k správne zachyteniu háčikov do príslušných otvorov.


Popis práčky

SK

Ovládací panel




Dávkovač pracích prostriedkov: slúži na dávkovanie pracích prostriedkov a prídavných prostriedkov (viď "Pracie prostriedky a prádlo").


Tlačidlo **ON/OFF** : zapnete alebo vypnete práčku krátkym stlačením tlačidla. Kontrolka **START/PAUSE** pomaly blikajúca zeleným svetlom signalizuje, že zariadenie je zapnuté. Ak chcete vypnúť práčku počas prania, je potrebné držať tlačidlo stlačené dlhšie, približne 3 sek.; krátkym alebo náhodným stlačením práčku nevypnete. Vypnutie zariadenia počas prania spôsobí zrušenie prebiehajúceho pracieho programu.

OTOČNÝ OVLÁDAČ PROGRAMOV: Slúži na nastavenie požadovaného programu (viď "Tabuľka programov").


Tlačidlá a kontrolky **VOLITEL'NÝCH FUNKCIÍ:** Slúžia na voľbu jednotlivých ponúknutých voliteľných funkcií. Kontrolka zvolenej funkcie zostane rozsvietená.


Tlačidlo **TYP PRANIA** : jeho stlačením môžete zvoliť požadovanú intenzitu prania.

Tlačidlo **TEPLOTA** : Stlačte pre zníženie alebo úplné vyradenie ohrevu; hodnota bude uvedená na displeji.

Tlačidlo **ODSREĐOVANIE** : Stlačte pre zníženie alebo úplné vyradenie odstredovania; hodnota bude uvedená na displeji.

Tlačidlo **ONESKORENÝ ŠTART** : Stlačte kvôli nastaveniu oneskoreného štartu zvoleného programu; nastavené oneskorenie bude zobrazené na displeji.

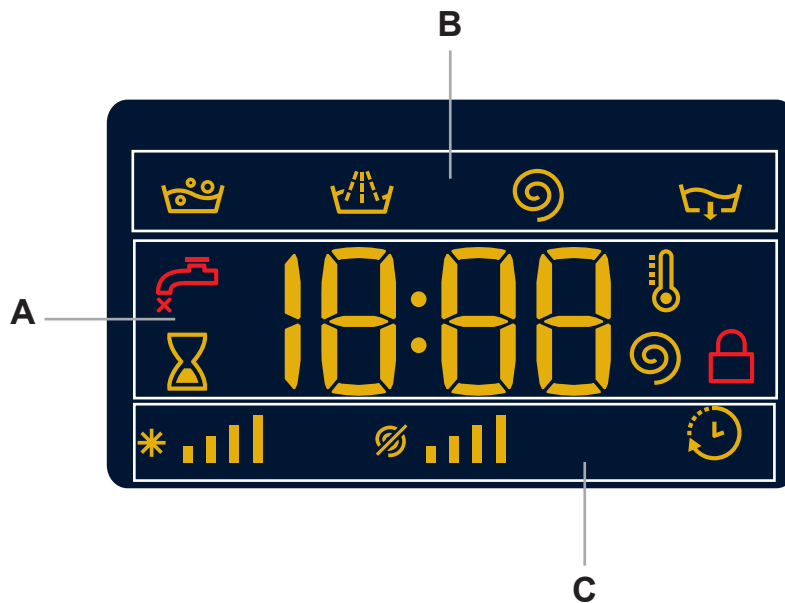
Tlačidlo s kontrolkou **START/PAUSE:** keď zelená kontrolka začne pomaly blikat', stlačte tlačidlo, aby ste zahájili pranie. Po zahájení cyklu sa kontrolka rozsvieti stálym svetlom. Ak si želáte prerušiť pranie, opätovne stlačte tlačidlo; kontrolka bude blikat' oranžovým svetlom. Ak symbol  nie je podsvietený bude možné otvoriť dvierka. Aby ste opätovne spustili cyklus od doby, kedy bol prerušený, opätovne stlačte tlačidlo.

Tlačidlo **ZABLOKOVANIE TLAČIDIEL:** slúži na aktiváciu zablokovania ovládacieho panelu; aktivácia sa vykonáva tak, že podržíte stlačené tlačidlo približne na 2 sekundy. Rozsvietený symbol  signalizuje, že ovládací panel je zablokovaný. Týmto spôsobom sa zamedzí náhodným zmenám programov (s výnimkou tlačidlo ON/OFF), obzvlášť, keď sú v domácnosti deti. Zrušenie zablokovania ovládacieho panelu sa vykonáva tak, že podržíte stlačené tlačidlo približne na 2 sekundy.

Pohotovostný režim

Po skončení cyklu alebo v case, keď nie je spustený žiaden cyklus, po 30 minútach dôjde k vypnutiu zariadenia kvôli energetickej úspore. Na obnovenie činnosti zariadenia, nachádzajúceho sa v pohotovostnom režime, stací stlačiť tlačidlo ON/OFF.

Displej







Displej slúži na programovanie zariadenia a na poskytovanie mnohých informácií.


V časti **A** je zobrazovaná doba trvania rôznych programov a po zahájení činnosti aj doby zostávajúcej do jeho ukončenia (na displeji sa zobrazí maximálna doba trvania zvoleného cyklu, ktorá sa môže po niekoľkých minútach znížiť, pretože skutočná doba trvania programu sa mení v závislosti na náplni prádla a na zadaných nastaveniach); v prípade nastavenia ONESKORENÝ ŠTART bude zobrazovaná doba zostávajúca do zahájenia zvoleného programu.


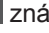
Okrem toho, pri stlačení príslušného tlačidla budú zobrazované maximálne hodnoty rýchlosti odstreďovania a teploty, ktoré zariadenie môže dosiahnuť, v závislosti od nastaveného programu.


V časti **B** sú zobrazované “fázy prania”, ktoré sú súčasťou zvoleného cyklu a po zahájení programu aj prebiehajúce “fázy prania”:

-  Pranie
-  Plákanie
-  Odstreďovanie
-  Odčerpávanie vody

V časti **C** sa nachádzajú ikony – zľava doprava – “teplota”, “odstreďovanie” a “Oneskorený štart”.

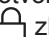
Pruhy “teplota” *  znázorňujú úroveň teploty vzhľadom k maximálnej nastaviteľnej hodnote pre daný cyklus.

Pruhy “odstreďovanie”   znázorňujú úroveň odstreďovania vzhľadom k maximálnej nastaviteľnej hodnote pre daný cyklus.

Rozsvietený symbol “Oneskorený štart”  signalizuje, že na zariadení bola zvolená funkcia “Oneskoreného štartu”.


Kontrolka **ZABLOKOVANÉ DVIERKA**  :

Rozsvietený symbol signalizuje, že dvierka sú zaistené. Aby sa dvierka nepoškodili, pred ich otvorením je potrebné vyčakať, kým uvedený symbol nezhasne.



Ak chcete otvoriť dvierka počas pracieho cyklu, stlačte tlačidlo START/PAUSE; keď bude kontrolka ZABLOKOVANÉ DVIERKA  zhasnutá, bude možné dvierka otvoriť.

Ako vykonať prací cyklus

SK


- 1. ZAPNUTIE ZARIADENIA.** Stlačte tlačidlo ; kontrolka START/PAUSE bude pomaly blikať zelenou svetlom.
- 2. NAPLNĚ PRÁČKU PRÁDLOM.** Otvorte dvierka. Naplňte práčku prádlom pričom dbajte, aby nedošlo k prekročeniu množstva náplne, uvedeného v tabuľke programov na nasledujúcej strane.
- 3. NAPLNĚ DÁVKOVAČ PRACÍCH PROSTRIEDKOV.** Vytiahnite dávkovač pracích prostriedkov a naplňte prací prostriedok do príslušných priehradiek, spôsobom vysvetleným v časti "Pracie prostriedky a prádlo".
- 4. ZATVORTE DVIERKA.**
- 5. ZVOĽTE PRACÍ PROGRAM.** Otočným ovládačom PROGRAMOV zvolte požadovaný program; teplotu a rýchlosť odstreďovania pre zvolený je možné meniť. Na displeji sa zobrazí doba trvania cyklu.
- 6. NASTAVTE PRACÍ PROGRAM PODĽA VAŠICH POTRIEB.** Použite príslušné tlačidlá:

Zmeňte teplotu a/alebo rýchlosť odstreďovania.

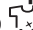
Zariadenie automaticky zobrazuje maximálnu teplotu a rýchlosť odstreďovania pre nastavený program alebo posledné zvolené hodnoty, ak sú vhodné pre zvolený program. Stlačením tlačidla  je možné postupne znížiť teplotu prania až po pranie v studenej vode "OFF". Stlačením tlačidla  je možné postupne znížiť rýchlosť odstreďovania až po jeho úplné vylúčenie "OFF". Ďalšie stlačenie tlačidiel obnoví nastavenie maximálnych prednastavených hodnôt.


! Výnimka: pri voľbe programu 4 bude možné zvýšiť teplotu až na 90°C.

Nastavenie oneskoreného štartu.


Pre nastavenie oneskoreného štartu zvoleného programu stláčajte príslušné tlačidlo, až kým nenastavíte požadovanú dobu oneskorenia. Keď je táto funkcia zvolená, na displeji sa rozsvieti symbol . Na zrušenie oneskoreného štartu je potrebné stláčať tlačidlo, až kým sa na displeji nezobrazí symbol "OFF".

Nastavte požadovanú intenzitu prania.

Tlačidlo  umožňuje vykonať optimalizáciu prania na základe stupňa znečistenia tkanín a požadovanej intenzity prania.

Zvoľte program prania; cyklus bude automaticky nastavený na úroveň "Normal" (Normálne) a bude optimalizovaný pre stredne znečistené prádlo (toto nastavenie neplatí pre cyklus „Vlna“, ktorý sa automaticky nastaví na úroveň "Delicate" [Jemné]). Pre značne znečistené prádlo stlačte tlačidlo , až kým nebude nastavená úroveň "Intensive" (Intenzívne).

Táto úroveň zaručuje dokonalé pranie vďaka použitiu väčšieho množstva vody v počiatočnej fáze cyklu a väčšieho mechanického pohybu, a je užitočná pre odstránenie najodolnejších škvŕn. Môže sa používať s bieliacim prostriedkom alebo bez neho. Ak si prajete vykonať bielenie, vložte prídavnú nádobku 4 z príslušenstva do priehradky 1. Pri dávkovaní bieliaceho prostriedku neprekračujte úroveň „max“, vyznačenú na stredovom čape (vid' obrázok na str. 34).

Pre mierne znečistené prádlo alebo pre jemné zaobchádzanie s látkami stláčajte tlačidlo , až po dosiahnutie úrovne "Delicate" (Jemné). Cyklus obmedzí mechanický pohyb pre zaistenie dokonalých výsledkov prania jemného prádla.




Zmena vlastností cyklu.

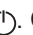
- Stlačte tlačidlo za účelom aktivácie voliteľnej funkcie; rozsvieti sa príslušná kontrolka.
- Opätovným stlačením môžete zvolenú voliteľnú funkciu zrušiť; príslušná kontrolka zhasne.

! V prípade, že zvolená voliteľná funkcia nie je kompatibilná s nastaveným pracím programom, kontrolka začne blikať a voliteľná funkcia nebude aktivovaná.

! Ak zvolená funkcia nie je kompatibilná s niektorou už nastavenou voliteľnou funkciou, kontrolka prvej zvolenej funkcie bude blikať a bude aktivovaná len druhá; kontrolka zvolenej funkcie sa rozsvieti.

! Voliteľné funkcie môžu zmeniť uvedenú náplň a/alebo dobu trvania daného cyklu.

- 7. SPUSŤTE PROGRAM.** Stlačte tlačidlo START/PAUSE. Príslušná kontrolka sa rozsvieti stálym modrým svetlom a dôjde k zablokovaniu dvierok (rozsvieti sa symbol ZABLOKOVANÉ DVIERKA ). Ak chcete zmeniť program počas prebiehajúceho cyklu, aktivujte prerušenie cyklu práčky stlačením tlačidla START/PAUSE (kontrolka START/PAUSE bude blikať jantárovým svetlom); potom zvolte požadovaný program a znovu stlačte tlačidlo START/PAUSE. Ak chcete otvoriť dvierka počas pracieho cyklu, stlačte tlačidlo START/PAUSE; keď bude kontrolka ZABLOKOVANÉ DVIERKA  zhasnutá, bude možné otvoriť dvierka. Opätovným stlačením tlačidla START/PAUSE opätovne uveďte do činnosti prací program z bodu, v ktorom bol prerušený.
- 8. UKONČENIE PROGRAMU.** Bude signalizované zobrazením nápisu "END" na displeji a po zhasnutí symbolu ZABLOKOVANÉ DVIERKA  bude možné otvoriť dvierka. Otvorte dvierka, vyložte prádlo a vypnite zariadenie.

! Ak si želáte zrušiť už zahájený cyklus, stlačte dlhšie tlačidlo . Cyklus bude prerušený a dôjde k vypnutiu zariadenia.

Programy a voliteľné funkcie

Tabuľka pracích programov

Pracie programy	Popis programu	Max. teplota (°C)	Max. rýchlosť (otáčky za minútu)	Pracie prostriedky a prídavné					Max. náplň (kg)	Zvyšková vlhkosť %	Spotreba energie kWh	Voda celkom lt	Doba trvania cyklu
				Predpie- ranie	Pranie	Bieliaci prostrie- dok	Aviváž						
CLEAN Plus													
1	Odstraňovanie Škvŕn	40°	1200	●	●	-	●	3	-	-	-	170'	
2	Odstraňovanie Škvŕn Rýchle	40°	1200	-	●	-	●	2,5	-	-	-	60'	
3	Bavlna Biela	60°	1200	●	●	-	●	3	-	-	-	165'	
4	Štandardné programy pre bavlnu 60°C (1): Značne znečistené biele a farebné prádlo z odolných tkanín.	60° (Max. 90°)	1200	●(3)	●	●	●	6	53	0.78	50	200'	
5	Štandardné programy pre bavlnu 40°C (2): Málo znečistené biele a farebné prádlo z chúlolistých tkanín.	40°	1200	-	●	●	●	6	53	0.65	65	170'	
6	Syntetické: Veľmi znečistené farebné prádlo z odolných tkanín.	60°	800	●	●	●	●	3	44	0.70	44	105'	
6	Syntetické (4): Málo znečistené farebné prádlo z chúlolistých tkanín.	40°	800	●	●	●	●	3	44	0.47	38	95'	
SPECIALS													
7	Antialergénne	60°	1200	-	●	●	●	3	-	-	-	165'	
8	Antialergénne Jemné	40°	1200	-	●	●	●	3	-	-	-	180'	
9	Vlna: Pre vlnu, kašmír, atď.	40°	800	-	●	-	●	1	-	-	-	65'	
10	Jemné prádlo	30°	0	-	●	-	●	0,5	-	-	-	75'	
ECO													
11	Štandardné programy pre bavlnu 20°C: Málo znečistené biele a farebné prádlo z chúlolistých tkanín.	20°	1200	-	●	●	●	6	-	-	-	170'	
12	Bavlna	Studená voda	1200	-	●	-	●	6	53	0.15	54	80'	
13	Syntetické	Studená voda	800	-	●	-	●	2,5	48	0.06	25	70'	
14	Rýchle Pranie 30'	Studená voda	800	-	●	-	●	2,5	71	0.04	32	30'	
Dielčie													
	Plákanie	-	1200	-	-	-	●	6	-	-	-	36'	
	Odstreďovanie + Odčerpanie vody	-	1200	-	-	-	-	6	-	-	-	10'	
	Samostatné odčerpanie vody *	-	OFF	-	-	-	-	6	-	-	-	3'	

* V prípade voľby programu a vylúčenia odstred'ovania, zariadenie vykoná len odčerpanie vody.

Doba trvania cyklu, uvedená na displeji alebo v návode, je stanovená na základe štandardných podmienok. Skutočná doba sa môže meniť v závislosti na mnohých faktoroch, ako sú napr. teplota a tlak vody na vstupe, teplota prostredia, množstvo pracieho prostriedku, množstvo a druh náplne, vyváženie náplne a zvolené funkcie.

1) Kontrolný program podľa normy 1061/2010: nastavte program 4 s teplotou 60°.

Tento cyklus je vhodný pre pranie bežne znečisteného bavlneného prádla a jedná sa o najúčinnjší cyklus z hľadiska kombinovanej spotreby energie a vody, určený pre prádlo, ktoré je možné prať pri teplote do 60°C. Skutočná teplota prania sa môže líšiť od uvedenej.

2) Kontrolný program podľa normy 1061/2010: nastavte program 5 s teplotou 40°.

Tento cyklus je vhodný pre pranie bežne znečisteného bavlneného prádla a jedná sa o najúčinnjší cyklus z hľadiska kombinovanej spotreby energie a vody, určený pre prádlo, ktoré je možné prať pri teplote do 40°C. Skutočná teplota prania sa môže líšiť od uvedenej.

3) Pri teplote 60 °C funkcia "Predpieranie" nemôže byť aktivovaná.

Pre všetky Test Institutes:

2) Dlhý program na pranie bavlny: nastavte program 5 s teplotou 40°C.

4) Dlhý program pre syntetické prádlo: nastavte program 6 s teplotou 40°C.

Voliteľné funkcie prania

! V prípade, že zvolená voliteľná funkcia nie je kompatibilná s nastaveným pracím programom, kontrolka začne blikať a voliteľná funkcia nebude aktivovaná.

! Ak zvolená funkcia nie je kompatibilná s niektorou už nastavenou voliteľnou funkciou, kontrolka prvej zvolenej funkcie bude blikať a bude aktivovaná len druhá; kontrolka zvolenej funkcie sa rozsvieti.

Extra Plákanie

Voľbou tejto voliteľnej funkcie sa zvýši účinnosť plákania a zaisť sa maximálny stupeň odstránenia pracieho prostriedku. Je užitočná hlavne pre mimoriadne citlivé pokožky.

Predpieranie

Voľbou tejto funkcie aktivujete predpieranie, užitočné na odstránenie odolných škvŕn.

POZN.: Pridajte prací prostriedok do príslušnej priehradky..

Pracie prostriedky a prádlo

SK

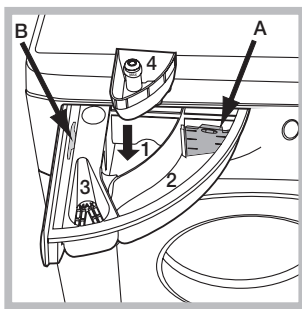
Dávkovač pracích prostriedkov

Dobry výsledok prania závisí aj od správneho dávkovania pracieho prostriedku: použitie nadmerného množstva znižuje efektivitu prania a napomáha tvorbe vodného kameňa na vnútorných častiach práčky a zvyšuje znečistenie životného prostredia.

! Používajte práškové pracie prostriedky pre biele bavlnené prádlo a pre predpieranie a pre pranie pri teplote vyššej ako 60 °C.

! Dodržujte pokyny uvedené na obale pracieho prostriedku.

! Nepoužívajte pracie prostriedky určené na pranie v rukách, pretože spôsobujú tvorbu nadmerného množstva peny.



Pri vyťahovaní dávkovača pracích prostriedkov a pri jeho plnení pracími alebo prídavnými prostriedkami postupujte nasledovne.

Priehradka 1: Prací prostriedok na predpieranie (práškový) Pred naplnením priehradky pracím prostriedkom sa uistite, že v dávkovači nie je vložená prídavná priehradka 4.

Priehradka 2: Prací prostriedok na pranie (práškový alebo tekutý) V prípade použitia tekutého pracieho prostriedku sa odporúča použiť pre správne dávkovanie malú prepážku **A** z príslušenstva. Pre použitie práškového pracieho prostriedku vložte malú prepážku do priehlbiny **B**. **Priehradka 3: Prídavné prostriedky (aviváž, atď.)** Aviváž nesmie vytekať z mriežky. **Prídavná priehradka 4: Bieliaci prostriedok**

Príprava prádla

- Roztriedte prádlo podľa:
 - druhu tkaniny / symbolu na visačke.
 - farby: oddel'te farebné prádlo od bieleho.
- Vyprázdnite vrecká a skontrolujte gombíky.
- Neprekračujte povolenú náplň, vzťahujúcu sa na hmotnosť suchého prádla: viď "Tabuľka programov".

Koľko váži prádlo?

- 1 plachta 400-500 g
- 1 obliečka 150-200 g
- 1 obrus 400-500 g
- 1 župan 900-1.200 g
- 1 uterák 150-250 g

Špeciálne programy

Odstraňovanie Škvŕn: cyklus **1** vhodný pre pranie značne znečisteného prádla s odolnými farbami. Tento program zaručuje vyššiu triedu prania ako štandardná trieda (trieda A). Pri použití tohto programu nemiešajte spolu prádlo rôznych farieb. Odporúča sa použitie práškového pracieho prostriedku. Pre odolné škvŕny sa odporúča vykonať predošetrenie špecifickými prídavnými prostriedkami.

Odstraňovanie Škvŕn Rýchle: tento program bol navrhnutý pre pranie prádla s dennými škvŕnami, vrátane najodolnejších, v priebehu jednej hodiny. Vhodný pre prádlo zo zmiešaných vlákien, pre ktoré zaručuje maximálnu ohľadupnosť.

Bavlna Biela: použite cyklus **3** pre pranie bieleho prádla. Program je navrhnutý pre dlhodobé zachovanie žiarivej bielej farby. Pre dosiahnutie najlepších výsledkov sa odporúča použiť práškový prací prostriedok.

Antialergénne: použite program **7** pre odstránenie hlavných alergénov, ako je peľ, roztoče a mačacie a psie chlpy.

Antialergénne Jemné: cyklus navrhnutý pre prádlo z bavlny a iných odolných tkanín, ktorý zaručuje odstránenie peľu, a psích a mačacích chlpov už pri 40°C.

Vlna: prací cyklus „Vlna“ bol schválený spoločnosťou Woolmark Company pre pranie prádla z vlny, klasifikovaného ako prádlo pre ručné pranie, za podmienky, že pranie bude vykonané v súlade s pokynmi uvedenými na visačke oblečenia a v súlade s pokynmi dodanými výrobcem tejto práčky. (M1128)



Jemné prádlo: pre pranie veľmi jemného prádla, ktoré obsahuje aplikácie ako je štras alebo pajetky, použite program **10**. Pre pranie **hodvábneho** prádla a **záclon** zvolte cyklus **10** a nastavte úroveň "Delicate" (Jemné) voliteľnej funkcie.

Odporúča sa prádlo pred praním prevrátiť naruby a vložiť malé kusy prádla do príslušného vrecúška pre pranie jemného prádla. Pre dosiahnutie najlepších výsledkov sa odporúča použiť tekutý prací prostriedok pre jemné prádlo.

Programy Eco

Programy Eko ponúkajú účinné pranie pri nízkych teplotách, čím umožňujú štrnenie elektrickej energie, čo je výhodné ako pre životné prostredie, tak aj pre úsporu peňazí. Programy Eco (**12** Bavlna, **13** Syntetické a **14** Rýchle pranie 30') sú vhodné pre rôzne druhy tkanín a pre mierne znečistené prádlo. Pre zabezpečenie optimálneho výsledku odporúčame použiť tekutý prací prostriedok; odporúča sa predbežne ošetriť manžety, goliere a škvŕny.

Štandardné programy pre bavlnu 20°C ideálny pre náplne zo nečistenej bavlny. Účinné pranie i za studena, porovnateľné s raním pri 40 °C, dosiahnuté mechanickým pôsobením, ktoré je založené na zmene rýchlosti v krátkych alebo dlhých intervaloch.

System automatického vyváženia náplne

Pred každým odstredovaním bubon vykoná otáčanie rýchlosťou o málo prevyšujúcou rýchlosť prania, aby sa tak odstránili vibrácie a aby sa náplň rovnomerne rozložila. V prípade, že po niekoľko násobných pokusoch o vyváženie prádlo ešte nebude správne vyvážené, zariadenie vykoná odstredovanie nižšou rýchlosťou, ako je prednastavená rýchlosť. Ak je práčka nadmerne nevyvážená, vykoná namiesto odstredovania vyváženie. Za účelom dosiahnutia rovnomernejšieho rozloženia náplne a jej správneho vyváženia, odporúča sa pomiešať veľké a malé kusy prádla.

Môže sa stať, že práčka nebude fungovať. Skôr, ako zatelefonujete na Servisnú službu *vid' "Servisná služba"*) skontrolujte, či sa nejedná o problém ľahko odstrániteľný pomocou nasledujúceho zoznamu.

Poruchy:

Možné príčiny / Spôsob ich odstránenia:

Pračku nie je možné zapnúť.

- Zástrčka nie je zasunutá v elektrickej zásuvke, alebo nie je zasunutá dostatočne, aby došlo k spojeniu kontaktov.
- V celom dome je vypnutý prúd.

Nedochádza k zahájeniu pracovného cyklu.

- Nie sú riadne zatvorené dvierka.
- Nebolo stlačené tlačidlo ON/OFF.
- Nebolo stlačené tlačidlo START/PAUSE.
- Nebol otvorený kohútik prívodu vody.
- Bol nastavený oneskorený hodiny spustenia.

Do práčky nie je napúšťaná voda (Na displeji je zobrazený blikajúci nápis "H2O").

- Prítoková hadica nie je pripojená k vodovodnému kohútiku.
- Hadica je príliš ohnutá.
- Nebol otvorený kohútik prívodu vody.
- V celom dome je uzatvorený prívod vody.
- V rozvode vody nie je dostatočný tlak.
- Nebolo stlačené tlačidlo START/PAUSE.

Práčka nepretržite napúšťa a odčerpáva vodu.

- Vypúšťacia hadica sa nachádza mimo určeného rozmedzia od 65 do 100 cm nad zemou (*vid' "Inštalácia"*).
 - Koncová časť vypúšťacej hadice je ponorená vo vode (*vid' "Inštalácia"*).
 - Odpadové potrubie v stene nie je vybavené odzdušňovacím otvorom.
- Ak po týchto kontrolách nedôjde k odstráneniu problému, zatvorte vodovodný kohútik, vypnite práčku a zavolajte Servisnú službu. V prípade, že sa byt nachádza na jednom z najvyšších poschodí je možné, že dochádza k sifónovému efektu, následkom ktorého práčka nepretržite napúšťa a odčerpáva vodu. Na odstránenie uvedeného efektu sú v predaji bežne dostupné špeciálne "protisifónové" ventily.

Práčka neodčerpáva vodu alebo neodstredzuje.

- Odčerpanie vody netvorí súčasť nastaveného programu: Pri niektorých programoch je potrebné aktivovať ho manuálne.
- Vypúšťacia hadica je ohnutá (*vid' "Inštalácia"*).
- Odpadové potrubie je upchaté.

Práčka vo fáze odstredovania veľmi vibruje.

- Počas inštalácie nebol bubon odistený predpísaným spôsobom (*vid' "Inštalácia"*).
- Práčka nie je dokonale vyrovnaná do vodorovnej polohy (*vid' "Inštalácia"*).
- Práčka je stlačená medzi nábytkom a stenou (*vid' "Inštalácia"*).

Z práčky uniká voda.

- Prítoková hadica nie je správne zaskrutkovaná (*vid' "Inštalácia"*).
- Dávkovač pracích prostriedkov je upchatý (spôsob jeho vyčistenia je uvedený v časti "*Údržba a starostlivosť"*).
- Vypúšťacia hadica nie je dobre pripevnená (*vid' "Inštalácia"*).

Kontrolky "Voliteľné funkcie" a kontrolka "START/PAUSE" blikajú a na displeji je zobrazený kód poruchy (napr.: F-01, F-..).

- Vypnite zariadenie a vyťahnite zástrčku zo zásuvky, vyčkajte 1 minútu a opätovne ho zapnite. Ak porucha pretrváva, obráťte sa na Servisnú službu.

Dochádza k tvorbe nadmerného množstva peny.

- Použitý prací prostriedok nie je vhodný na použitie v automatickej práčke (musí obsahovať označenie "pre pranie v práčke", "pre pranie v rukách alebo v práčke" alebo podobné označenie).
- Bolo použité jeho nadmerné množstvo.

Servisná služba

SK

Pred obrátením sa na Servisnú službu:

- Skontrolujte, či nie ste schopní poruchu odstrániť sami (vid' "Poruchy a spôsob ich odstránenia");
- Opätovne uveďte do chodu prací program, s cieľom overiť, či bola porucha odstránená;
- Ak to nie je možné, obráťte sa na Stredisko servisnej služby.

! Nikdy sa neobracajte so žiadosťou o pomoc na technikov, ktorí nie sú na vykonávanie tejto činnosti oprávnení.

Pri hlásení poruchy uveďte:

- druh poruchy;
- model zariadenia (Mod.);
- výrobné číslo (S/N).

Tieto informácie sú uvedené na štítku aplikovanom na zadnej časti práčky a v jej prednej časti, dostupnej po otvorení dvierok.

DELEGOVANÉ NARIADENIE KOMISIE (EÚ) č. 1061/2010

Značka	HOTPOINT/ARISTON
Model	FMSGN 623 CZ
Menovitá kapacita bavlnenej látky v kg	6.0
Trieda energetickej účinnosti na stupnici A+++ (najnižšia spotreba) až G (vysoká spotreba)	A+++
Ročná spotreba energie v kWh ¹⁾	152.0
Spotreba energie štandardného programu na bavlnu pre pranie pri 60 °C s celou náplňou v kWh ²⁾	0.789
Spotreba energie štandardného programu na bavlnu pre pranie pri 60 °C s polovičnou náplňou v kWh ²⁾	0.563
Spotreba energie štandardného programu na bavlnu pre pranie pri 40 °C s polovičnou náplňou v kWh ²⁾	0.534
Vážená spotreba energie vo vypnutom stave vo W	0.5
Vážená spotreba energie v režime ponechania v zapnutom stave vo W	8.0
Ročná spotreba vody v litroch ³⁾	8391
Trieda účinnosti sušenia odstredovaním na stupnici od G (najmenšia účinnosť) do A (najvyššia účinnosť)	B
Maximálne otáčky pri odstredovaní ⁴⁾	1200
Zostatkový obsah vlhkosti v % ⁵⁾	53%
Trvanie „štandardného programu na bavlnu pre pranie pri 60 °C“ s celou náplňou v minútach.	200
Trvanie „štandardného programu na bavlnu pre pranie pri 60 °C“ s polovičnou náplňou v minútach.	150
Trvanie „štandardného programu na bavlnu pre pranie pri 40 °C“ s polovičnou náplňou v minútach.	145
Trvanie režimu ponechania v zapnutom stave v minútach	30
Emisia hluku v dB(A) re 1 pW počas prania ⁶⁾	62
Emisia hluku v dB(A) re 1 pW počas odstredovania ⁶⁾	80
Vstavany spotrebič	

¹⁾ Štandardný program na bavlnu pre pranie pri 60 °C s celou náplňou a polovičnou náplňou a štandardný program na bavlnu pre pranie pri 40 °C s polovičnou náplňou sú štandardné prací programy, na ktoré sa vzťahujú informácie uvedené na energetickom štítku a v informačnom liste. Tieto programy sú vhodné na pranie bežne znečistenej bavlnenej bielizne a jedná sa o najúčinnnejšie programy z hľadiska kombinovanej spotreby energie a vody.

²⁾ Na základe 220 štandardných pracích cyklov s programami na bavlnu pre pranie pri 60 °C a 40 °C s celou a polovičnou náplňou a spotreba v režimoch s nízkou spotrebou energie. Skutočná spotreba energie bude závisieť na tom, ako je spotrebič používaný.

³⁾ Na základe 220 štandardných pracích cyklov s programami na bavlnu pre pranie pri 60 °C a 40 °C s celou a polovičnou náplňou. Skutočná spotreba vody bude závisieť na tom, ako je spotrebič používaný.

⁴⁾ U štandardného programu na bavlnu pre pranie pri 60 °C s celou náplňou alebo u štandardného programu na bavlnu pre pranie pri 40 °C s polovičnou náplňou podľa toho, ktorá hodnota je menšia.

⁵⁾ U štandardného programu na bavlnu pre pranie pri 60 °C s celou náplňou alebo u štandardného programu na bavlnu pre pranie pri 40 °C s polovičnou náplňou podľa toho, ktorá hodnota je väčšia.

⁶⁾ Počas fázy prania a odstredovania u štandardného programu na bavlnu pre pranie pri 60 °C s celou náplňou.

RO

Română

FMSGN 623

RO

Sumar

Instalare, 38-39

Despachetare și punere la nivel
Racorduri hidraulice și electrice
Primul ciclu de spălare
Date tehnice

Întreținere și curățare, 40

Înteruperea alimentării cu apă și curent electric
Curățarea mașinii de spălat
Curățarea compartimentului pentru detergent
Îngrijirea ușii și a tamburului
Curățarea pompei
Controlarea furtunului de alimentare cu apă

Precauții și sfaturi, 41

Siguranța generală
Scoaterea aparatului din uz
Deschiderea manuală a ușii

Descrierea mașinii de spălat, 42-43

Panoul de control
Display

Cum se desfășoară un ciclu de spălare, 44

Programe și opțiuni, 45

Tabel de programe
Opțiuni de spălare

Detergenți și rufe, 46

Sertarul detergenților
Pregătirea rufelor
Programe particulare
Sistemul de echilibrare a sarcinii

Anomalii și remedii, 47

Asistență, 48

Instalare

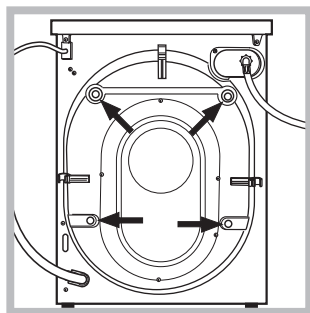
RO

! Este important să păstrați acest manual pentru a-l putea consulta în orice moment. În caz de vânzare, de cesiune sau de schimbare a locuinței, acesta trebuie să rămână împreună cu mașina de spălat pentru a informa noul proprietar cu privire la funcționare și la respectivele avertismente.

! Citiți cu atenție instrucțiunile: veți găsi informații importante cu privire la instalare, la folosire și la siguranță.

Despachetare și punere la nivel Despachetare

1. Scoaterea din ambalaj a mașinii de spălat.
2. Controlați ca mașina de spălat să nu fi fost deteriorată în timpul transportului. Dacă este deteriorată, nu o conectați și contactați agentul de vânzare.



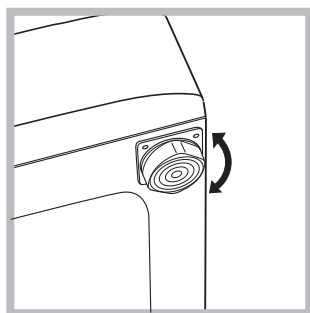
3. Scoateți cele șuruburi de protecție pentru transport și cauciucul cu distanțierul respectiv, situate în partea posterioară (a se vedea figura).

4. Închideți orificiile cu dopurile din plastic aflate în dotare.
5. Păstrați toate piesele: pentru cazul în care mașina de spălat va trebui să fie transportată, piesele vor trebui montate din nou.

! Ambalajele nu sunt jucării pentru copii!

Punere la nivel

1. Instalați mașina de spălat pe un paviment plan și rigid, fără a o sprijini de ziduri, mobilă sau altceva.



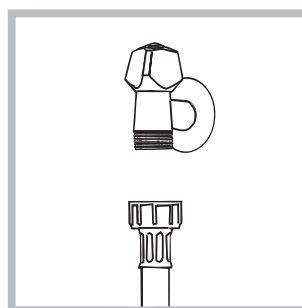
2. Dacă podeaua nu este perfect orizontală, compensați neregularitățile deșurubând sau înșurubând picioarele anterioare

(a se vedea figura); unghiul de înclinare, măsurat pe planul de lucru, nu trebuie să depășească 2°.

O nivelare precisă conferă stabilitate mașinii și evită vibrații, zgomote și deplasări pe timpul funcționării. În cazul mochetelor sau a unui covor, reglați picioarele astfel încât să mențineți sub mașina de spălat un spațiu suficient pentru ventilare.

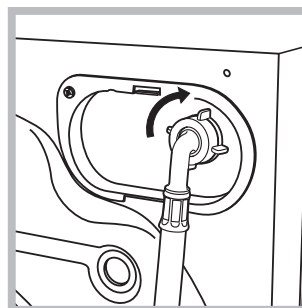
Racorduri hidraulice și electrice

Racordarea furtunului de alimentare cu apă



devenit limpede.

1. Conectați furtunul de alimentare, înșurubându-l la un robinet de apă rece cu gura filetată de 3/4 gaz (a se vedea figura). Înainte de conectare, lăsați apa să curgă până când nu a



2. Conectați tubul de alimentare la mașina de spălat, înșurubându-l la priza de apă respectivă, amplasată în partea posterioară, sus în dreapta (a se vedea figura).

3. Fiți atenți ca furtunul să nu fie nici pliat, nici îndoit.

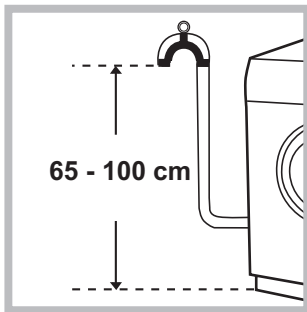
! Presiunea apei de la robinet trebuie să fie cuprinsă în valorile din tabelul cu Date tehnice (a se vedea pagina alăturată).

! Dacă lungimea furtunului de alimentare nu este suficientă, adresați-vă unui magazin specializat sau unui instalator autorizat.

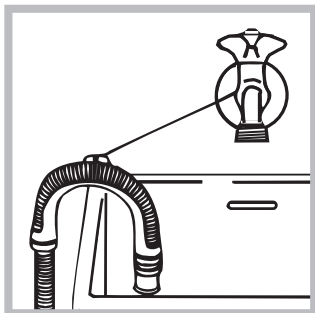
! Nu folosiți niciodată tuburi folosite deja.

! Utilizați tuburile furnizate cu mașina.

Conectarea furtunului de golire



Conectați furtunul de evacuare, fără al îndoii, la o conductă sau la o gură de evacuare în zid, situate între 65 și 100 cm de pământ;



sau sprijiniți pe marginea unei chiuvete sau a unei căzi, legând elementul de ghidare la robinet (a se vedea figura). Capătul liber al furtunului de golire nu trebuie să rămână cufundat în

apă.

! Nu se recomandă folosirea furtunurilor prelungitoare; dacă este indispensabil, acestea trebuie să aibă același diametru ca și furtunul original și nu trebuie să depășească 150 cm lungime.

Racordarea electrică

Înainte de a introduce ștecherul în priza de curent, asigurați-vă că:

- priza să fie cu împământare și conformă prevederilor legale;
- priza să poată suporta sarcina maximă de putere a mașinii, indicată în tabelul cu Date tehnice (a se vedea alături);
- tensiunea de alimentare să fie cuprinsă în valorile indicate în tabelul cu Date tehnice (a se vedea alături);
- priza să fie compatibilă cu ștecărul mașinii de spălat. În caz contrar înlocuiți priza sau ștecărul.

! Mașina de spălat nu trebuie instalată afară, nici chiar în cazul în care spațiul este adăpostit, deoarece este foarte periculoasă expunerea mașinii la ploi și furtuni.

! După instalarea mașinii de spălat, priza de curent trebuie să fie ușor accesibilă.

! Nu folosiți prelungitoare și prize multiple.



! Cablul nu trebuie să fie îndoit sau comprimat.

! Cablul de alimentare trebuie să fie înlocuit doar de instalatorii autorizați.

Atenție! Firma își declină orice responsabilitate în cazul în care aceste norme nu se respectă.

Primul ciclu de spălare

După instalare, înainte de folosire, efectuați un ciclu de spălare cu detergent și fără rufe, selectând programul „AUTOCURĂȚARE” (a se vedea „Curățarea mașinii de spălat”).

Date tehnice	
Model	FMSGN 623
Dimensiuni	lărgime 59,5 cm înălțime 85 cm profundime 42,5 cm
Capacitate	de la 1 la 6 kg
Legături electrice	Vezi placuta cu caracteristicile tehnice, aplicata pe masina.
Legături hidrice	presiune maximă 1 MPa (10 bari) presiune minimă 0,05 MPa (0,5 bari) capacitatea cuvei 40 litri
Viteza de centrifugare	până la 1200 de rotații pe minut
Programe de control conform directivelor 1061/2010 1015/2010	programul 4; program standard la 60°C pentru rufe din bumbac. programul 5; program standard la 40°C pentru rufe din bumbac.
 	Acest aparat este conform cu următoarele Directive Comunitare: - 2004/108/CE (Compatibilitate Electromagnetică) - 2006/95/CE (Tensiuni Joase) - 2012/19/EU

Întreținere și curățire

RO

Înteruperea alimentării cu apă și curent electric

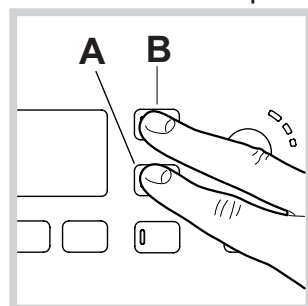
- Închideți robinetul de apă după fiecare spălare. Se limitează astfel uzura instalației hidraulice a mașinii de spălat și se elimină pericolul scurgerilor.
- Scoateți stecherul din priza de curent atunci când curățați mașina de spălat și când se efectuează lucrări de întreținere.

Curățarea mașinii de spălat

- Partea externă și părțile din cauciuc pot fi curățate cu o lavetă înmuiată în apă caldută și săpun. Nu folosiți solvenți sau substanțe abrazive.

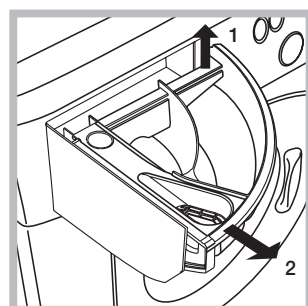
- Mașina de spălat este prevăzută cu un program de „AUTOCURĂȚARE” a pieselor interne care trebuie realizat **fără niciun fel de încărcătură în cuvă**.

Detergentul (în cantitate de 10% din cea recomandată pentru rufe puțin murdare) sau aditivii specifici pentru curățarea mașinii de spălat pot fi folosite ca mijloace auxiliare în programul de spălare. Se recomandă efectuarea programului de curățare la fiecare 40 de cicluri de spălare.



Pentru a activa programul, apăsați butoanele **A** și **B** în același timp pentru 5 secunde (a se vedea figura). Programul pornește automat și durează aproximativ 70 de minute. Pentru a termina ciclul, apăsați butonul START/PAUSE.

Curățarea compartimentului pentru detergent



Trageți afara compartimentul ridicându-l și tragându-l spre exterior (a se vedea figura).

Spălați-l sub un jet de apă; această operație trebuie efectuată cât mai des posibil.

Îngrijirea ușii și a tamburului

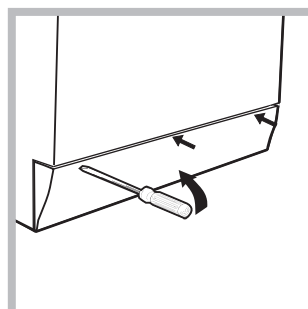
- Lăsați mereu ușa întredeschisă pentru a evita formarea de mirosuri neplăcute.

Curățarea pompei

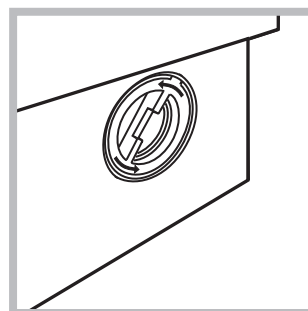
Mașina de spălat este dotată cu o pompă de autocurățare care nu are nevoie de întreținere. Se poate întâmpla însă ca unele obiecte mici (monede, nasturi) să cadă în anticamera care protejează pompa, situată în partea inferioară a acesteia.

! Verificați ca ciclul de spălare să fie încheiat și scoateți stecherul din priză.

Pentru a avea acces la anticameră:



1. scoateți panoul de acoperire din partea din față a mașinii de spălat folosind o șurubelniță (a se vedea figura);



2. deșurubați capacul rotindu-l în sens invers acelor de ceasornic (a se vedea figura). Este normal să iasă puțină apă;

3. curățați cu grijă interiorul;
4. înșurubați la loc capacul;
5. montați din nou panoul verificând, înainte de a-l împinge spre mașină, de a fi introdus cârligele în orificiile respective.

Controlarea furtunului de alimentare cu apă

Controlați tubul de alimentare cel puțin o dată pe an. Dacă prezintă crăpături sau fisuri trebuie înlocuit: pe parcursul spălărilor, presiunea puternică ar putea provoca crăpături neașteptate.

! Nu folosiți niciodată tuburi folosite deja.

! Mașina de spălat a fost proiectată și construită conform normelor internaționale de protecție. Aceste avertizări sunt furnizate din motive de siguranță și trebuie să fie citite cu atenție.

Siguranța generală

- Acest aparat a fost conceput exclusiv pentru utilizarea în locuințe.
- Aparatul nu trebuie utilizat de către persoane (inclusiv Aparat aparat poate fi folosit de copii începând cu vârsta de 8 ani și de persoane cu capacități fizice, senzoriale sau mentale reduse sau cu experiență și cunoștințe insuficiente dacă sunt supravegheate sau dacă au primit o pregătire adecvată privind folosirea aparatului în mod sigur și înțelegând pericolele respective. Copiii nu trebuie să se joace cu aparatul. Întreținerea și curățarea nu trebuie să fie efectuate de copii fără supraveghere.
- Mașina de spălat trebuie să fie folosită doar de persoane adulte care respectă instrucțiunile din acest manual.
- Nu atingeți mașina când sunteți desculți sau cu mâinile sau picioarele ude sau umede.
- Nu scoateți ștecherul din priză trăgând de cablu, ci apucând ștecherul.
- Nu deschideți sertarul detergentilor în timp ce mașina se află în funcțiune.
- Nu atingeți apa de evacuare: poate avea o temperatură ridicată.
- Nu forțați în nici un caz ușa: s-ar putea deteriora mecanismul de siguranță care evită deschiderea accidentală.
- În caz de defecțiune, nu umblați în niciun caz la mecanismele din interior și nu încercați să o reparați singuri.
- Controlați mereu ca în apropierea mașinii aflate în funcțiune, să nu se afle copii.
- Pe durata spălării ușa se poate încălzi.
- Dacă trebuie să deplasați mașina, cereți ajutor unei alte (sau 2) persoane și fiți foarte atenți. Niciodată nu deplasați mașina singuri deoarece aceasta este foarte grea.
- Înainte de a introduce rufe, controlați ca și cuva să fie goală.

Scoaterea din uz

- Eliminarea ambalajelor: respectați reglementările locale, în acest fel ambalajele vor putea fi refolosite.
- Directiva Europeană 2012/19/EU cu privire la deșeurile care provin de la aparatura electrică sau electronică prevede ca aparatele electrocasnice să nu fie colectate împreună cu deșeurile urbane solide, obișnuite. Aparatele scoase din uz trebuie să fie colectate separat atât pentru a optimiza rata de recuperare și de reciclare a materialelor componente cât și pentru a evita pericolele care pot afecta sănătatea omului sau polua mediul înconjurător. Simbolul tomberonului tăiat care apare pe toate produsele vă amintește tocmai obligația de a le colecta separat. Pentru informații suplimentare cu privire la scoaterea din uz a electrocasnicilor, deținătorii acestora pot apela la centrele de colectare a deșeurilor sau la vânzătorii de la care au achiziționat produsele respective.

Atenționări în conformitate cu legislația în vigoare

- Conform prevederilor legislației privind gestionarea deșeurilor, este interzisă eliminarea deșeurilor de echipamente electrice și electronice (DEEE) alături de deșeurile

municipale nesortate. Ele trebuie predate la punctele municipale de colectare, societățile autorizate de colectare/reciclare sau distribuitori (în cazul în care se achiziționează echipamente noi de același tip).

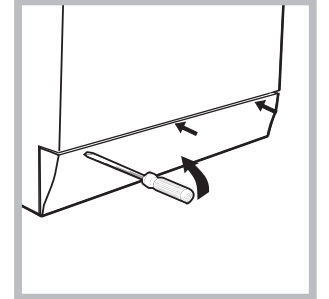
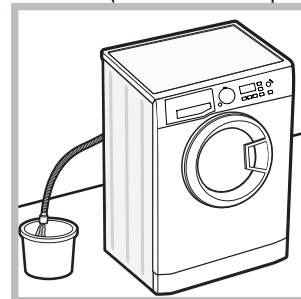
- Autoritățile locale trebuie să asigure spațiile necesare pentru colectarea selectivă a deșeurilor precum și funcționalitatea acestora. Contactați societatea de salubritate sau compartimentul specializat din cadrul primăriei pentru informații detaliate.
- Deșeurile de echipamente electrice și electronice pot fi predate și distribuitorilor, la achiziționarea de echipamente noi de același tip (schimb 1 la 1).
- Predarea, de către utilizatori, a deșeurilor de echipamente electrice și electronice, la punctele de colectare municipale, societățile autorizate de colectare/reciclare sau distribuitori (în cazul în care se achiziționează echipamente noi de același tip) facilitează refolosirea, reciclarea sau alte forme de valorificare a acestora.
- Deșeurile de echipamente electrice și electronice pot conține substanțe periculoase care pot avea un impact negativ asupra mediului și sănătății umane în cazul în care DEEE nu sunt colectate selectiv și gestionate conform prevederilor legale.
- Simbolul alăturat (o pubela cu roți, barata cu două linii în forma de X), aplicat pe un echipament electric sau electronic, semnifică faptul că acesta face obiectul unei colectări separate și nu poate fi eliminat împreună cu deșeurile municipale nesortate.



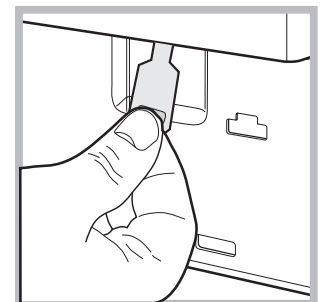
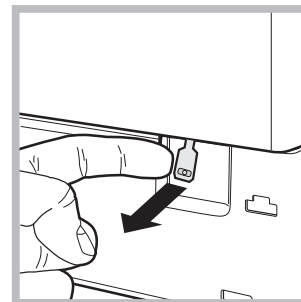
Deschiderea manuală a ușii

Dacă nu este posibil să deschideți ușa din cauza întreruperii curentului electric și doriți totuși să întindeți rufe, procedați după cum urmează:

1. scoateți ștecherul din priză.



2. verificați ca nivelul de apă din mașină să fie sub marginea ușii; în caz contrar, scoateți apa în exces cu ajutorul furtunului de golire, punând-o într-un vas, după indicațiile din *figura*.
3. scoateți panoul de acoperire din partea din față a mașinii de spălat folosind o șurubelniță (*a se vedea figura*).

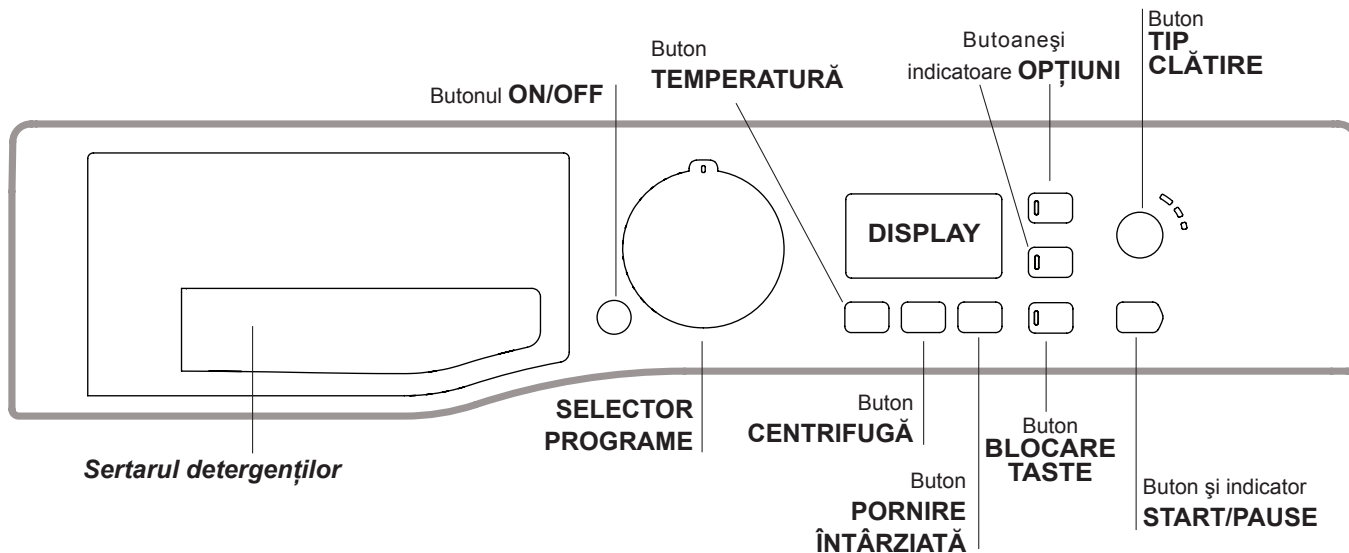


4. utilizând dispozitivul indicat în figură, trageți spre dumneavoastră până când eliberați tirantul de plastic din opritor; trageți apoi în jos și, în același timp, deschideți ușa.
5. montați din nou panoul verificând, înainte de a-l împinge spre mașină, de a fi introdus cârligele în orificiile respective.


Descrierea mașinii de spălat

RO

Panoul de control





Sertarul detergenților: pentru a introduce detergenții sau aditivele (a se vedea “Detergenți și rufe”).


Buton **ON/OFF** : apăsați scurt tasta pentru a porni sau opri mașina de spălat. Indicatorul **START/PAUSE** emite un semnal intermitent de culoare verde, ceea ce vă confirmă pornirea mașinii. Pentru a opri funcționarea mașinii de spălat în timpul spălării, este necesar să țineți apăsată tasta circa 3 secunde; o apăsare de scurtă durată sau accidentală nu va opri mașina. Oprirea mașinii de spălat în timpul executării unui ciclu va anula programul în curs de desfășurare.


SELECTOR PROGRAME: pentru a alege programul dorit (a se vedea “Tabel programe”).


Butoane și indicatoare **OPȚIUNE:** pentru a selecta opțiunile disponibile. Indicatorul privind opțiunea selectată va rămâne aprins.


Buton **TIP CLĂTIRE** : apăsați pentru a selecta tipul dorit de clătire.

Buton **TEMPERATURĂ** : apăsați butonul pentru a diminua sau exclude temperatura; valoarea acesteia va fi afișată pe display.

Buton **CENTRIFUGĂ** : apăsați butonul pentru a reduce numărul de rotații sau a bloca storcătorul; numărul de turații se poate vedea pe display.

Buton **PORNIRE ÎNTÂRZIATĂ** : apăsați pentru a seta sau pornire întârziată a programului preselectat; întârzierea este indicată pe display.

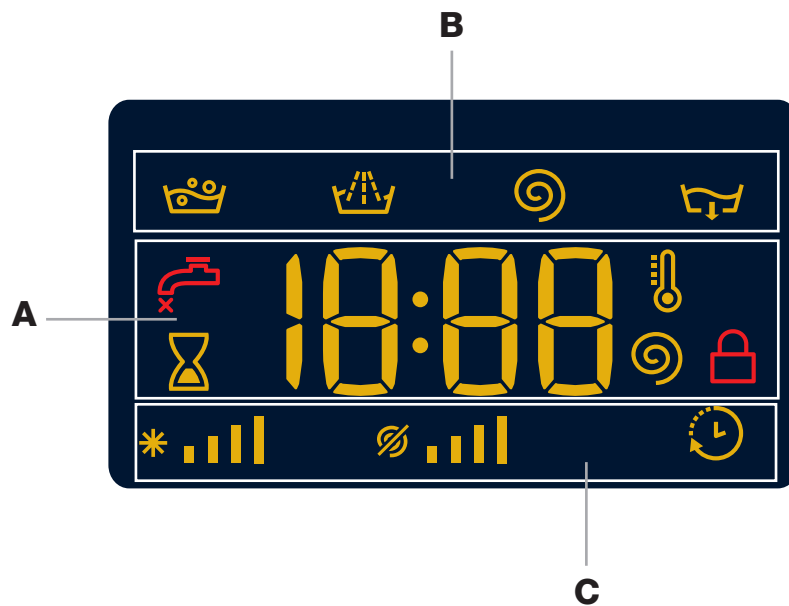
Buton și indicator **START/PAUSE:** când ledul verde emite un semnal intermitent, apăsați tasta pentru a porni ciclul de spălare. După activarea ciclului, ledul rămâne aprins. Pentru a introduce o pauză în timpul spălării, apăsați din nou tasta: ledul va emite o lumină intermitentă, de culoare portocalie. După stingerea indicatorului luminos , puteți deschide ușa. Pentru a continua spălarea, de unde a fost întreruptă, apăsați din nou tasta.

Buton **BLOCARE TASTE:** pentru a **bloca** panoul de comandă, țineți apăsată tasta timp de 2 secunde. Dacă ledul  corespunzător este aprins, atunci panoul de comenzi este blocat. În acest fel, se evită modificarea accidentală a unui program (cu excepția buton ON/OFF), în special de către copii. Pentru a **debloca** panoul de comandă, țineți apăsată tasta timp de 2 secunde.

Modalitatea de stand by

Această mașină de spălat rufe, conform noilor norme legate de economia de curent electric, este dotată cu un sistem de oprire automat (stand-by) care intră în funcțiune după 30 minute de neutilizare. Apăsați scurt tasta ON/OFF și așteptați repunerea în funcțiune a mașinii.

Display



Ecranul este util pentru a programa mașina și a furniza numeroase informații.

În secțiunea **A** este afișată durata diferitelor programe la dispoziție și a celui rămas, în cazul unui ciclu de spălare deja în desfășurare (pe display se va afișa durata maximă a ciclului selectat care se va putea micșora după câteva minute, deoarece durata efectivă a programului variază în funcție de cantitatea de lenjerie și de setările date); dacă a fost programat un interval de PORNIRE ÎNTÂRZIATĂ, este afișat intervalul rămas până la pornirea programului selectat. De asemenea, apăsând butonul corespunzător, se vizualizează valorile maxime ale vitezei centrifugii și ale temperaturii pe care mașina le poate efectua în baza programului setat sau ultimele valori selectate dacă sunt compatibile cu programul ales.

În secțiunea **B** sunt afișate „fazele de spălare” prevăzute pentru ciclul selecționat și cele în curs de desfășurare, în cazul unui program deja pornit:

- Spălare
- Clătire
- Centrifugă
- Golire

În secțiunea **C** sunt prezente, începând de la stînga, iconițele pentru “temperatură”, “centrifugă” și “Pornire întârziată”. Barele “temperatură” * ||| indică nivelul maxim de temperatură care poate fi selectat pentru ciclul setat. Barele “centrifugă” ∅ ||| indică nivelul maxim de centrifugare care poate fi selectat pentru ciclul setat. Simbolul “Pornire întârziată” iluminat indică faptul că pe display este afișată valoarea “Pornirii întârziată” setate.


Indicator **UȘĂ BLOCATĂ**

Iluminarea simbolului indică blocarea hubloului. Pentru a evita daune este necesar să se aștepte ca simbolul să se stingă înainte de a deschide ușa.

Pentru a deschide ușa în timpul executării unui ciclu, apăsați butonul START/PAUSE; când simbolul UȘĂ BLOCATĂ se stingă, puteți deschide ușa.

Cum se desfășoară un ciclu de spălare

RO



- 1. PUNEREA ÎN FUNCȚIUNE A MAȘINII** Apăsăți butonul ; indicatorul START/PAUSE va lumina intermitent lent cu culoarea verde.
- 2. INTRODUCEREA RUFELOR** Deschideți ușa. Introduceți rufele în mașină, fiind atenți să nu depășiți cantitatea indicată în tabelul de programe - a se vedea pagina următoare.
- 3. DOZAREA DETERGENTULUI** Extrageți sertarul și turnați detergent în compartimentele respective, după indicațiile din capitolul "Detergenți și rufe".
- 4. ÎNCHIDEȚI UȘA.**
- 5. ALEGEREA PROGRAMULUI** Selectați cu butonul PROGRAME programul dorit; acestuia îi sunt asociate o temperatură și o viteză de centrifugă care pot fi modificate. Pe ecran va apărea și durata ciclului.

6. PERSONALIZAREA CICLULUI DE SPĂLARE.

Apăsăți butoanele: respective.


Modificarea temperaturii și/sau a centrifugei.

Mașina afișează automat temperatura și centrifuga maxime prevăzute pentru programul ales, sau ultimele selectate, dacă sunt compatibile cu programul.


Apăsând butonul  se reduce progresiv temperatura pînă la spălarea rece "OFF". Apăsând butonul  se reduce progresiv centrifuga pînă la excluderea sa "OFF". Din acest moment, apăsarea ulterioară a butonelor va aduce valorile la cele maxime prevăzute.

! Excepție: dacă selectați programul 4 temperatura poate fi crescută pînă la 90°.


Setați pornirea întârziată.

Pentru a programa pornirea întârziată a mașinii, apăsați butonul respectiv pentru a alege timpul de întârziere dorit. Când această opțiune este activată, pe display se aprinde simbolul . Pentru a șterge pornirea întârziată, apăsați butonul pînă când pe ecran vedeți inscripția "OFF".

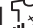
Reglați intensitatea dorită de spălare.

Opțiunea  permite optimizarea spălării în funcție de gradul de murdărie al țesăturilor și de intensitatea dorită a spălării.

Selectați programul de spălare, ciclul este reglat automat la nivelul „Normal”, optimizat pentru rufe cu grad normal de murdărie (această reglare nu este valabilă pentru ciclul „Lână”, care se reglează automat la nivelul „Delicate”).

Pentru rufe foarte murdare apăsați butonul  pînă se ajunge la nivelul „Intensive”. Datorită utilizării unei cantități mai mari de apă în faza inițială a ciclului și a unei mișcări mecanice mai mari, această opțiune garantează o spălare de mare performanță și este utilă pentru eliminarea petelor rezistente. Poate fi utilizată **cu** sau **fără** înălbitor.

Dacă doriți să efectuați albirea, introduceți tăvița suplimentară 4, din dotare, în tăvița 1. Când dozați înălbitorul, nu depășiți nivelul „max” indicat pe pivotul central (a se vedea figura de la pag. 46).

Pentru rufe puțin murdare sau pentru un tratament mai delicat al țesăturilor, apăsați butonul  pînă se ajunge la nivelul „Delicate”. Ciclul va reduce mișcarea mecanică pentru a asigura rezultate perfecte de spălare pentru rufele delicate.




Modificarea caracteristicilor ciclului.


- Apăsăți butonul pentru a activa opțiunea; indicatorul corespunzător butonului se va aprinde.
- Apăsăți din nou butonul pentru a dezactiva această opțiune; indicatorul luminos respectiv se va stinge.

! Dacă opțiunea selectată nu este compatibilă cu programul ales, ledul corespunzător va semnaliza iar funcția nu se va activa.

! Dacă opțiunea selectată nu este compatibilă cu o altă opțiune, reglată anterior, ledul corespunzător primei opțiuni va emite un semnal intermitent și va fi activată numai a doua opțiune (ledul corespunzător acesteia se va aprinde).

! Cantitatea de rufe admisă precum și durata ciclului pot varia în funcție de funcția aleasă.

- 7. ACTIVAREA UNUI PROGRAM.** Apăsăți butonul START/PAUSE. Indicatorul luminos se va aprinde - culoare albastră și ușa se va bloca (simbolul UȘĂ BLOCATĂ  se va aprinde). Pentru a modifica un program în timpul executării unui ciclu, apăsați butonul START/PAUSE pentru a întrerupe momentan ciclul); indicatorul corespunzător butonului START/PAUSE se va aprinde intermitent culoarea aurie) și alegeți noul ciclu dorit și apăsați din nou butonul START/PAUSE. Pentru a deschide ușa în timpul executării unui ciclu, apăsați butonul START/PAUSE; când simbolul UȘĂ BLOCATĂ  se stinge, puteți deschide ușa. Apăsăți din nou butonul START/PAUSE pentru a relua programul de unde era oprit.
- 8. TERMINAREA PROGRAMULUI** La încheierea ciclului, pe ecran va apărea mesajul "END"; când simbolul UȘĂ BLOCATĂ  se stinge, puteți deschide ușa. Deschideți ușa, scoateți rufele și opriți mașina de spălat.

! Dacă doriți să anulați un ciclu deja activat, apăsați îndelung butonul . Ciclul se va întrerupe iar mașina se va opri.

Tabel de programe

Programe	Descrierea Programului	Temp. max. (°C)	Viteza max. (rotații pe minut)	Detergenți				Sarcina Max. (Kg)	Umiditate reziduală%	Consum energie kWh	Apă totală lt	Durata ciclului de spălare
				Prespălare	Decolorant	Balsam rufe	Spălare					
CLEAN Plus												
1	Antitipată	40°	1200	●	●	-	●	3	-	-	-	170'
2	Antitipată Rapid	40°	1200	-	●	-	●	2,5	-	-	-	60'
3	Albituri	60°	1200	●	●	-	●	3	-	-	-	165'
4	Program standard la 60°C pentru rufe din bumbac (1): albe și colorate rezistente foarte murdare.	60° (Max. 90°)	1200	●(3)	●	●	●	6	53	0.78	50	200'
5	Program standard la 40°C pentru rufe din bumbac (2): albe și colorate delicate puțin murdare.	40°	1200	-	●	●	●	6	53	0.65	65	170'
6	Sintetice: colorate rezistente foarte murdare.	60°	800	●	●	●	●	3	44	0.70	44	105'
6	Sintetice (4): colorate rezistente puțin murdare.	40°	800	●	●	●	●	3	44	0.47	38	95'
SPECIALS												
7	Antialergic	60°	1200	-	●	●	●	3	-	-	-	165'
8	Antialergic Delicat	40°	1200	-	●	●	●	3	-	-	-	180'
9	Lână: pentru lână, cașmir, etc.	40°	800	-	●	-	●	1	-	-	-	65'
10	Ultra Delicate	30°	0	-	●	-	●	0,5	-	-	-	75'
ECO												
11	Program standard la 20°C pentru rufe din bumbac: albe și colorate delicate puțin murdare.	20°	1200	-	●	●	●	6	-	-	-	170'
12	Bumbac	Apă rece	1200	-	●	-	●	6	53	0.15	54	80'
13	Sintetice	Apă rece	800	-	●	-	●	2,5	48	0.06	25	70'
14	Rapid 30'	Apă rece	800	-	●	-	●	2,5	71	0.04	32	30'
Parțiale												
	Clătire	-	1200	-	-	-	●	6	-	-	-	36'
	Centrifugă + Golire	-	1200	-	-	-	-	6	-	-	-	10'
	Numai golire *	-	OFF	-	-	-	-	6	-	-	-	3'

* Dacă selectați programul și excludeți centrifugarea, mașina va face doar evacuarea.

Durata ciclului indicată pe display sau în carte este calculată în baza unor condiții standard. Timpul efectiv poate varia în baza a numeroși factori, precum temperatura și presiunea apei la intrare, temperatura mediului, cantitatea de detergent, cantitatea și tipul încărcăturii, echilibrarea încărcăturii, opțiunile suplimentare selectate.

1) Programul de control conform normei 1061/2010: setați programul 4 cu o temperatură de 60°C.

Acest ciclu este potrivit pentru curățarea unei încărcături de bumbac cu grad de murdărie normal și este cel mai eficient din punct de vedere al consumului combinat de energie și apă; se folosește pentru articole de îmbrăcăminte care pot fi spălate la 60°C. Temperatura efectivă de spălare poate diferi de cea indicată.

2) Programul de control conform normei 1061/2010: setați programul 5 cu o temperatură de 40°C.

Acest ciclu este potrivit pentru curățarea unei încărcături de bumbac cu grad de murdărie normal și este cel mai eficient din punct de vedere al consumului combinat de energie și apă; se folosește pentru articole de îmbrăcăminte care pot fi spălate la 40°C. Temperatura efectivă de spălare poate diferi de cea indicată.

3) La temperatura de 60°C funcția de "Prespălare" nu poate fi activată.

Pentru toate Instituțiile de Testare:

2) Program pentru bumbac, prelungit: setați programul 5 cu o temperatură de 40°C.

4) Program sintetic lung: setați programul 6 cu o temperatură de 40°C.

Opțiuni de spălare

! Dacă opțiunea selectată nu este compatibilă cu programul ales, ledul corespunzător va semnaliza iar funcția nu se va activa.

! Dacă opțiunea selectată nu este compatibilă cu o altă opțiune, reglată anterior, ledul corespunzător primei opțiuni va emite un semnal intermitent și va fi activată numai a doua opțiune (ledul corespunzător acesteia se va aprinde).

Clătire Suplimentară

Selectând această opțiune, clătirea va fi mai eficientă, ceea ce asigură eliminarea totală a detergentului din rufe. Este recomandată cu precădere persoanelor cu pielea sensibilă.

Prespălare

Această funcție este utilă pentru prespălarea rufelor, mai ales în scopul de a îndepărta petele rezistente.

N.B.: Adăugați detergent în sertarul respectiv.

Detergenți și rufe

RO

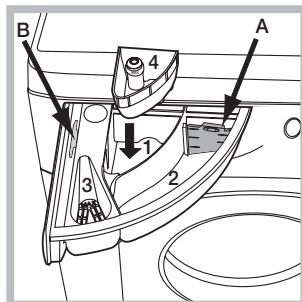
Sertarul detergenților

Un rezultat bun la spălare depinde și de dozarea corectă a detergentului: excesul de detergent nu garantează o spălare mai eficientă, ci contribuie la în crustarea părților interne ale mașinii de spălat și la poluarea mediului înconjurător.

! Utilizați detergenți praf pentru rufele albe de bumbac, pentru prespălare și pentru spălarea la temperaturi mai mari de 60°C.

! Respectați indicațiile de pe ambalajul detergentului.

! Nu introduceți în mașină detergenții pentru spălarea manuală deoarece formează prea multă spumă.



Extrageți sertarul pentru detergenți și introduceți detergentul sau aditivul după cum urmează:

compartment 1: Detergent pentru prespălare (sub formă de praf)

Înainte de a adăuga detergentul verificați ca sertarul adițional 4 să nu fie introdus.

compartment 2: Detergent pentru spălare (sub formă de praf sau lichid)

Când utilizați detergent lichid este recomandat să folosiți peretele despărțitor **A** prevăzut pentru dozarea corectă. Pentru utilizarea de detergent praf puneți peretele despărțitor în cavitatea **B**.

compartment 3: Aditivi (soluție de înmuiat, balsam rufe etc.)

Soluția de înmuiat nu trebuie să iasă deasupra grătarului.

compartment adițional 4: Decolorant (Înălbitor)

Pregătirea rufelor

- Subdivizați rufele în funcție de:
 - tipul de țesătură / simbolul de pe etichetă.
 - culori: separați rufele colorate de cele albe.
- Goliți buzunarele și controlați nasturii.
- Nu depășiți valorile indicate, referite la greutatea rufelor uscate: *a se vedea "Tabel de programe"*.

Cât cântăresc rufele?

- 1 cearceaf 400-500 g.
- 1 față de pernă 150-200 g.
- 1 față de masă 400-500 g.
- 1 halat de baie 900-1.200 g.
- 1 prosop 150-250 g.

Programe particulare

Antipată: programul 1 este potrivit pentru rufe foarte murdare, cu culori rezistente. Programul asigură o clasă de spălare superioară față de clasa standard (clasa A). Nu efectuați programul amestecând rufe de culori diferite. Se recomandă folosirea unui detergent praf. Pentru petele dificile se recomandă pre-tratamentul cu aditivi specifici.

Antipată Rapid: programul este conceput pentru spălarea rufelor cu pete zilnice, chiar rezistente, într-o oră. Adecvat pentru rufe colorate cu fibre mixte, garantând respectarea acestora.

Albituri: folosiți acest ciclu 3 pentru spălarea rufelor albe. Programul este conceput pentru a păstra strălucirea culorii albe în timp. Pentru rezultate mai bune, se recomandă folosirea unui detergent praf.

Antialergic: folosiți programul 7 pentru îndepărtarea principalilor alergeni, cum ar fi polenul, acarienii din praf, părul de pisică și de câine.

Antialergic Delicat: ciclul conceput pentru rufele din bumbac și alte țesături rezistente care garantează îndepărtarea polenului și a părului de câine și pisică chiar la 40°C.

Lână: ciclul de spălare „Lână” al acestei mașini de spălat a fost aprobat de Woolmark Company pentru spălarea articolelor de lână clasificate pentru „spălarea manuală”, cu condiția ca spălarea să se efectueze cu respectarea instrucțiunilor specificate pe eticheta articolului de îmbrăcăminte și a indicațiilor furnizate de producătorul acestei mașini de spălat. (M1128)



Ultra Delicate: folosiți programul 10 pentru spălarea rufelor foarte delicate, care au aplicații, cum ar fi strass sau paiete. Pentru a spăla articole din mătase și perdele, selectați ciclul 10 și reglați nivelul „Delicate” al opțiunii 1.2.

Se recomandă să întoarceți pe dos rufele înainte de spălare și să introduceți articolele mici într-un sac special pentru spălarea rufelor delicate.

Pentru cele mai bune rezultate, vă recomandăm utilizarea unui detergent lichid pentru rufe delicate.

Programele Eco

Programele Eco oferă performanțe bune de spălare la temperaturi scăzute, permițând o folosire redusă a energiei electrice, ceea ce înseamnă un beneficiu pentru mediul înconjurător și o economie de bani.

Programele Eco (Bumbac 12, Sintetice 13 și Rapid 30' 14) au fost create pentru diferite tipuri de țesături și pentru rufe puțin murdare. Pentru a garanta un rezultat optim, recomandăm folosirea unui detergent lichid; se recomandă pre-tratamentul manșetelor, gulerelor și petelor.

Program standard la 20°C pentru rufe din bumbac ideal pentru rufe de bumbac murdare. Performanțele bune și la rece, comparabile cu o spălare la 40°, sunt garantate de o acțiune mecanică care lucrează prin varierea vitezei la intervale repetate și apropiate.

Sistemul de echilibrare a sarcinii

Pentru a evita trepidațiile excesive, înainte de stoarcere, cuva mașinii va distribui cantitatea de rufe în mod uniform, centrifuga efectuând câteva rotații la o viteză mai mare decât viteza de spălare. Dacă, după numeroase încercări, mașina nu reușește să echilibreze greutatea, stoarcerea rufelor se va face la o viteză mai mică decât cea prevăzută în program. Dacă instabilitatea este prea mare, mașina va distribui greutatea în locul centrifugei. Pentru a favoriza o mai bună repartizare a rufelor și echilibrarea corectă a mașinii, se recomandă să introduceți în mașină atât articole mari cât și mici.

Se poate întâmpla ca mașina de spălat să nu funcționeze. Înainte de a apela serviciul de Asistență (*a se vedea Asistența*), verificați dacă nu este vorba de o problemă ușor de rezolvat:

Anomalii:

Cauze posibile / Rezolvare:

Mașina de spălat nu pornește.

- Ștecărul nu este introdus în priza de curent, sau nu face contact.
- Aveți o pană de curent la domiciliu.

Ciclul de spălare nu pornește.

- Ușa nu este bine închisă.
- Butonul ON/OFF nu a fost apăsată.
- Butonul START/PAUSE nu a fost apăsat.
- Robinetul de apă nu este deschis.
- A fost setată o întârziere față de ora pornirii.

Mașina de spălat nu încarcă apă (Pe display este vizualizat scris "H2O").

- Furtunul de alimentare cu apă nu este racordat la robinet.
- Furtunul este îndoit.
- Robinetul de apă nu este deschis.
- Apa la domiciliul dvs. este oprită.
- Apa nu are presiune suficientă.
- Butonul START/PAUSE nu a fost apăsat.

Mașina de spălat încarcă și descarcă apă încontinuu.

- Furtunul de golire nu a fost instalat la o înălțime cuprinsă între 65 și 100 cm de pământ (*a se vedea "Instalare"*).
- Capătul furtunului de evacuare este cufundat în apă (*a se vedea "Instalare"*).
- Evacuarea din perete nu are răsuflare pentru aer.

Dacă după aceste verificări problema nu se rezolvă, închideți robinetul de apă, stingeți mașina de spălat și chemați Asistența. Dacă locuința se află la ultimele etaje ale unui edificiu, este posibil să aibă loc fenomene de sifonare, motiv pentru care mașina de spălat încarcă și descarcă apă încontinuu. Pentru a elimina acest inconvenient, se găsesc în comerț supape anti-sifonare.

Mașina de spălat nu se golește sau nu stoarce.

- Programul nu prevede golirea apei: cu unele programe trebuie pornit manual.
- Furtunul de golire este îndoit (*a se vedea "Instalare"*).
- Conducta de descărcare este înfundată.

Mașina de spălat vibrează foarte mult în timpul stoarcerii.

- Cuva, în momentul instalării, nu a fost deblocată în mod corespunzător (*a se vedea "Instalare"*).
- Mașina de spălat este în pantă (*a se vedea "Instalare"*).
- Mașina de spălat este prea aproape de pereți și mobilier (*a se vedea "Instalare"*).

Mașina de spălat pierde apă.

- Furtunul de alimentare cu apă nu este bine înșurubat (*a se vedea "Instalare"*).
- Sertarul detergentilor este înfundat (pentru a-l curăța *a se vedea "Întreținere și curățare"*).
- Furtunul de golire nu este bine fixat (*a se vedea "Instalare"*).

Indicatoarele Opțiunilor și ale START/PAUSE luminează intermitent repede și display-ul afișează un cod de anomalie (ex.: F-01, F-..).

- Opriți mașina și scoateți ștecărul din priză; așteptați aprox. 1 minut înainte de a o reaprinde. Dacă nu obțineți nici un rezultat, apelați Centrul de Service pentru asistență.

Se formează prea multă spumă.

- Detergentul nu este compatibil cu mașina de spălat (trebuie să fie scris "pentru mașina de spălat", "de mână și în mașina de spălat", sau ceva asemănător).
- Dozajul a fost excesiv.

RO

Înainte de a lua legătura cu Asistența:

- Verificați dacă puteți rezolva singuri problema (*a se vedea "Anomalii și remedii"*);
- Porniți din nou programul pentru a controla dacă inconvenientul a fost eliminat;
- În caz negativ, contactați un Centru de Asistență Tehnică.

! Nu apelați niciodată la persoane neautorizate.

Comunicați:

- tipul de anomalie;
- modelul mașinii (Mod.);
- numărul de serie (S/N).

Aceste informații sunt specificate pe plăcuța cu date tehnice, lipită în partea din spate a mașinii de spălat precum și în partea anterioară, după ce deschideți ușa.

REGULAMENTUL DELEGAT (UE) NR. 1061/2010 AL COMISIEI

Marca	HOTPOINT/ARISTON
Modelul	FMSGN 623 CZ
Capacitatea nominală exprimată în kg de rufe din bumbac	6.0
Clasa de eficiență energetică pe o scară de la A+++ (consum redus) la G (consum ridicat)	A+++
Consumul de energie anual exprimat în kWh ¹⁾	152.0
Consumul de energie la programul de spălare rufe din bumbac standard la 60 °C la capacitate maximă exprimat în kWh ²⁾	0.789
Consumul de energie la programul de spălare rufe din bumbac standard la 60 °C la capacitate parțială exprimat în kWh ²⁾	0.563
Consumul de energie la programul de spălare rufe din bumbac standard la 40 °C la capacitate parțială exprimat în kWh ²⁾	0.534
Consumul de energie în modul off (oprit) exprimat în W	0.5
Consumul de energie în modul left-on (rămas în funcțiune) exprimat în W	8.0
Consumul de apă anual exprimat în litri ³⁾	8391
Clasa de eficiență la centrifugare pe o scară de la G (eficiență minimă) la A (eficiență maximă)	B
Numărul maxim de rotații ⁴⁾	1200
Conținutul de apă rămas ⁵⁾	53%
Durata programului de spălare rufe din bumbac standard la 60 °C la capacitate maximă exprimată în minute.	200
Durata programului de spălare rufe din bumbac standard la 60 °C la capacitate parțială exprimată în minute.	150
Durata programului de spălare rufe din bumbac standard la 40°C la capacitate parțială exprimată în minute.	145
Durata modului left-on (rămas în funcțiune) exprimată în minute	30
Nivelul de zgomot exprimat în dB(A) re 1 pW spălare ⁶⁾	62
Nivelul de zgomot exprimat în dB(A) re 1 pW centrifugare ⁶⁾	80
Model încorporat	

¹⁾ "Programul de spălare rufe din bumbac standard la 60 °C la capacitate maximă și parțială și "programul de spălare rufe din bumbac standard la 40 °C la capacitate parțială sunt programele de spălare standard la care fac referire informațiile de pe etichetă și din fișa produsului. Programul de spălare rufe din bumbac standard la 60 °C și programul de spălare rufe din bumbac standard la 40 °C sunt adecvate pentru spălarea rufelor din bumbac cu grad de murdărie normal și sunt cele mai eficiente programe din punct de vedere al consumului combinat de energie și apă. Încărcarea parțială reprezintă jumătate din încărcarea nominală.

²⁾ Pe baza programelor cu 220 de cicluri de spălare rufe din bumbac standard la 60°C și 40°C la încărcare maximă și parțială, și a consumului modurilor cu consum redus. Consumul real de energie va depinde de modul în care este utilizat aparatul.

³⁾ Pe baza programelor cu 220 de cicluri de spălare rufe din bumbac standard la 60°C și 40°C la capacitate maximă și parțială. Consumul real de apă va depinde de modul în care este utilizat aparatul.

⁴⁾ Pentru programul de spălare rufe standard la 60 °C la încărcare maximă și parțială sau la 40°C la încărcare parțială, oricare dintre acestea este mai scăzut.

⁵⁾ S-a obținut pentru programul de spălare rufe din bumbac standard la 60 °C la încărcare maximă și parțială sau la 40°C la încărcare parțială, oricare dintre acestea este mai ridicat.

⁶⁾ Pe baza fazelor de spălare și centrifugare pentru programul de spălare rufe din bumbac standard la 60 °C la încărcare maximă.